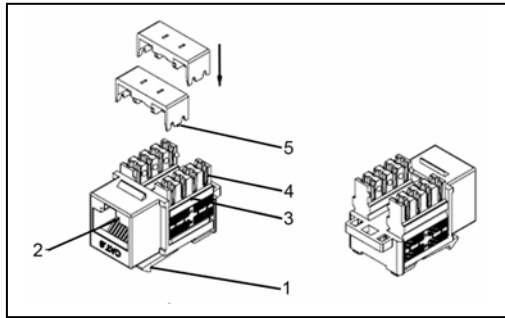


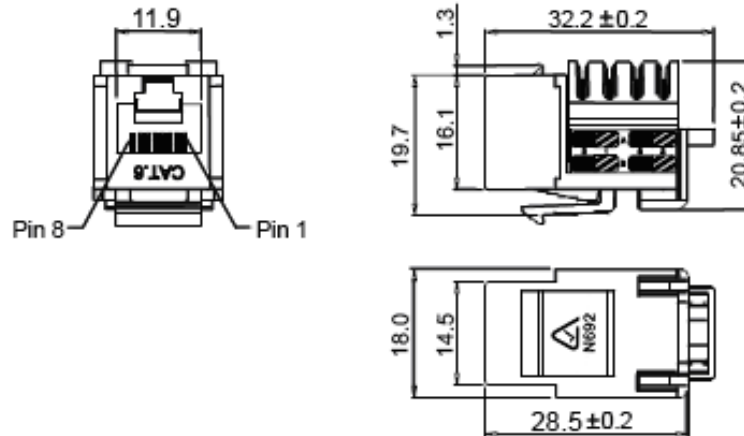
P4518 Cat-6 Keystone Jack

MATERIAL



| | | |
|---|-----|--|
| 1 | | Plastic Housing: ABS + PC, UL 94V-0 |
| 2 | | RJ45 Contact Material & Finish |
| | 2.1 | Phosphor bronze with 50-60u" Nickel Plating |
| | 2.2 | Contact Area: Min. 3mm 50u" Gold Plating |
| 3 | | IDC Housing: PC UL 94V-2 |
| 4 | | IDC Terminal Material & Finish |
| | 4.1 | Phosphor Bronze with 50u" Tin/Lead Plating over 50-60u" Nickel Plating |
| | 4.2 | 110 & Krone Tool compatible |
| | 4.3 | For 22-26AWG solid wire |
| 5 | | IDC Cap: ABS UL 94-HB |

DIMENSIONS



PERFORMANCE

| | | |
|---|-----|--|
| 1 | | Insertion Force: 900grms for 8 seconds |
| 2 | | Retention Strength: 7.7kgs between Jack & Plug |
| 3 | | Operating Temperature: -40°C to +80°C |
| 4 | | Durability |
| | 4.1 | Jack: 750 cycles Plug-Jack mating & un-mating test. Insertion cycles at 2-cycles/minute max. Contact resistance test per 100 cycles. |
| | 4.2 | IDC: Max 200 punching times |
| 5 | | Cat-6 performance is compliant with standard ANSI/TIA/EIA 568 B.2-1. |

LABELLING

Combined T568A & T568B colour codes shown.