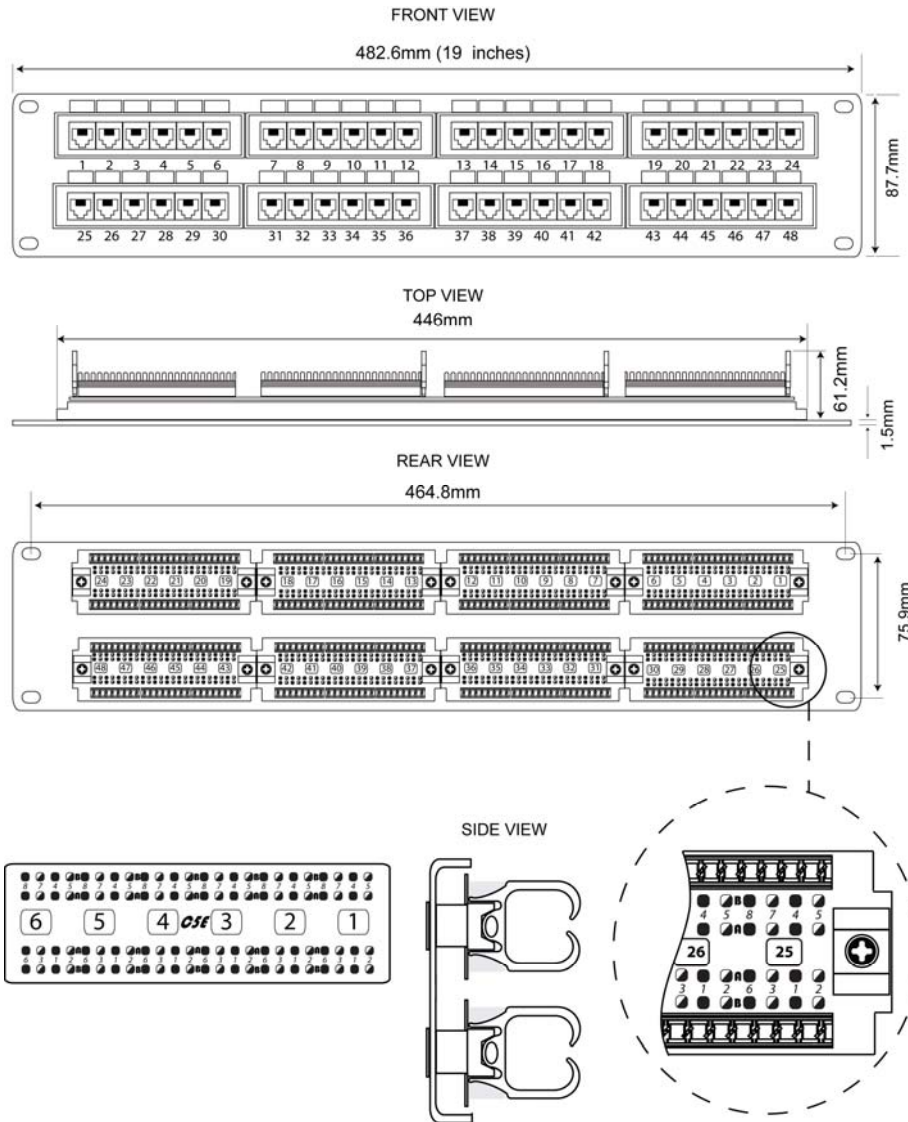


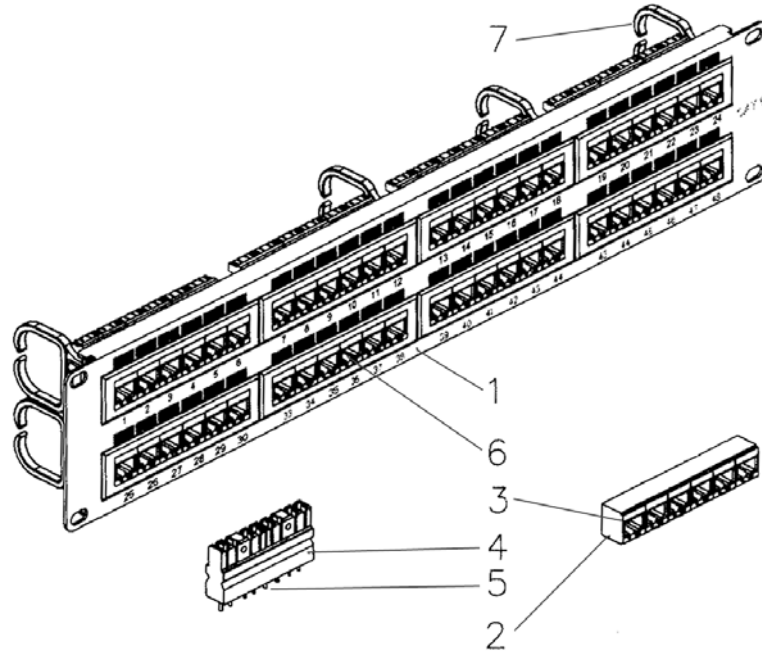
PRODUCT DRAWING



WIRING CONFIGURATION:

	T568A	T568B
Pin 5	Blue/White	Blue/White
Pin 4	Blue	Blue
Pin 1	Green/White	Orange/White
Pin 2	Green	Orange
Pin 3	Orange/White	Green/White
Pin 6	Orange	Green
Pin 7	Brown/White	Brown/White
Pin 8	Brown	Brown

MATERIALS:



1		Panel	SPPC 1.5mm thick Black color
2		Jack Housing	ABS, UL 94V-0
3		Jack Contact	
	3-1		Phosphor Bronze 50-60µ" Nickel plated
	3-2		Contact area: min 3mm 50µ" Gold Plated
4		IDC Housing	PC+5%GF, UL 94V-2
5		IDC Terminal	
	5-1		Phosphor Bronze 50-60µ" Tin plated
	5-2		110 & Krone tool compatible
	5-3		Suitable for 22-26 AWG stranded & solid wire
6		Jack Bracket Set	ABS, UL 94V-0
7		Cable Holder	PA6

PERFORMANCE:

Insertion Force	900g	
Retention Strength	7.7kgs between jack & plug	
Operating Temperature	-40°C to +80°C	
Durability	Jack	750 plug/jack mating cycles
	IDC	200 max punch times
Compliance	Cat-5E performance in compliance with ANSI/TIA/EIA 568 B.2 standard	