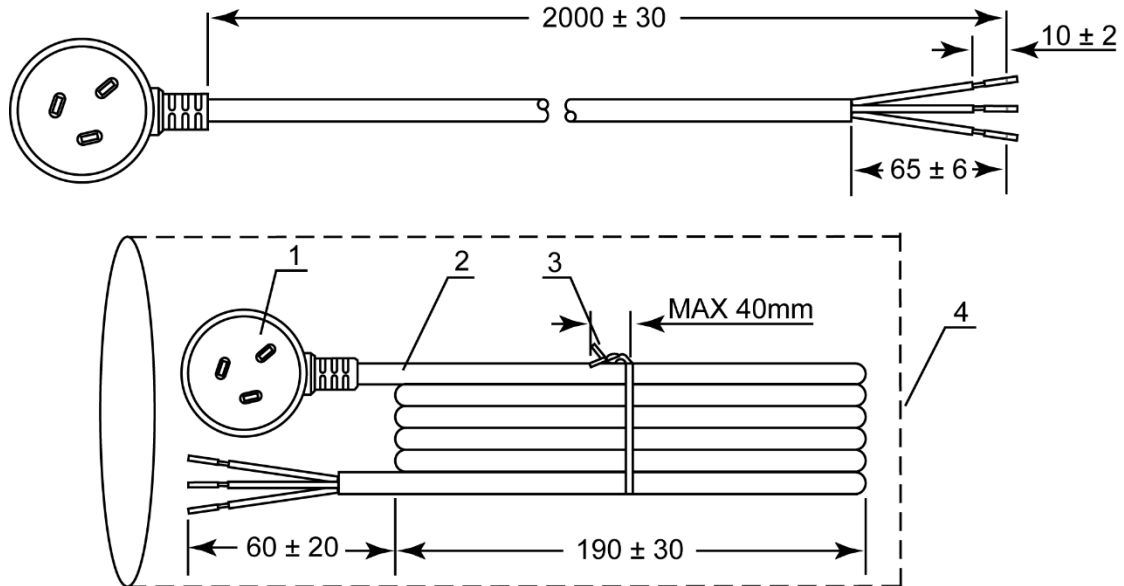


K3785-001 Right-angle Mains Plug to Stripped

1. PRODUCT DRAWING

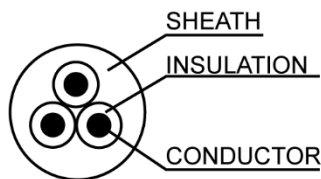


1. PVC moulded plug (Black)
2. Flexible cord GD-3 3G0.75mm² (Black)
3. Vinyl tie (Black)
 - a. Tied twice with PVC vinyl tie
 - b. Vinyl tie loose end section must not exceed 40mm
4. PE bag 300mm x 130mm (0.05mm thick)

NOTE: All materials are RoHS compliant.

2. CORD SECTION

CORD SECTION:



CORD MARKING:

POWERMASTER® GD-3 3X0.75mm² 4V-75 V-75 75°C ORDINARY DUTY
 250 / 440V NSW18155 AS / NZS3191
 Cn
 └─ ROLL NO: 1,2,3...
 └─ CHINA FACTORY