

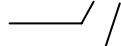
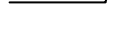
## K3750-020 IEC C13 Power Cord

### MAINS PLUG

|                    |                             |
|--------------------|-----------------------------|
| Type               | 3-pin Australian Mains Plug |
| Standard           | AS/NZS3112.2004             |
| Safety Certificate | Q01734                      |
| Color              | Black                       |

### FLEX

#### JACKET

|                    |  |
|--------------------|--|
| Type               | GD-3   |
| Standard           | AS/NZS3191.2003  |
| Safety Certificate | N18155   |
| Marking            | Powermaster® GD-3 3x1.0mm <sup>2</sup> 75°C N18155 AS/NZS3191 Cn<br>China Factory <br>Roll Number  |
| Diameter           | 7.0mm  |
| Material           | PVC (Black)  |

#### CONDUCTORS

|            |   |
|------------|---|
| Conductors | 3 x 1.0mm <sup>2</sup>                    |
| Sheath     | PVC Brown (A), Blue (N), Yellow/Green (E) |

### CONNECTOR

|                    |                      |
|--------------------|----------------------|
| Type               | IEC-C13              |
| Standard           | AS/NZS60320.2.2.2004 |
| Safety Certificate | N18157               |
| Color              | Black                |

### PRODUCT DRAWING

