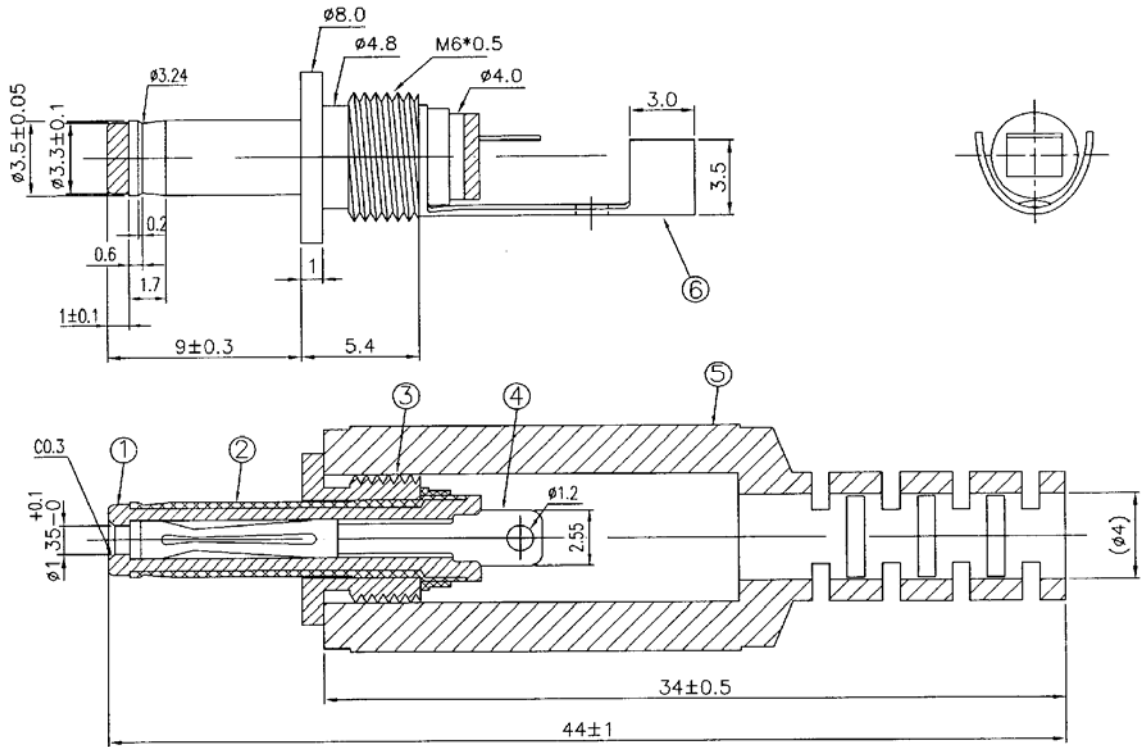


DIMENSIONS / CONSTRUCTION



MATERIALS

1	POM(Black)
2	Brass – Nickel plated
3	Brass – Nickel plated
4	Phosphor-bronze – Nickel plated
5	PVC (Black)
6	Brass – Nickel plated