

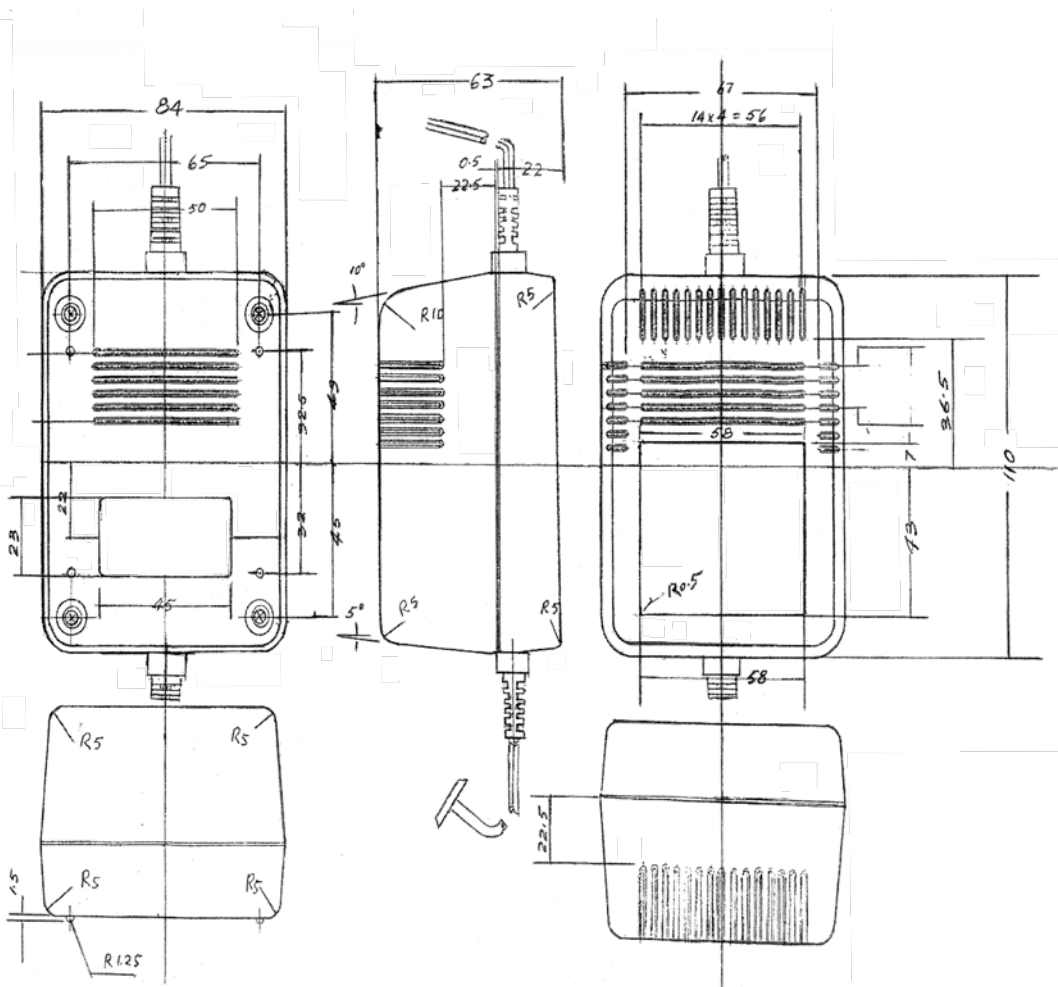
In-line AC Adaptor 66A 24V AC 2000mA Strip/Tin In-Line T2420ST



FEATURES

- In-line AC adaptor with 48 Watt maximum capacity with a ventilated case.
- The AC input cord is fitted with mains plug and insulated pins compliant with AS/NZS3112.
- Dimensions 110(L) x 83(W) x 65(H)mm.
- Electrical Safety Authority Approved.

DESIGN & CONSTRUCTION



To view Access' extensive ranges go to: www.accesscomms.com.au

Sydney (Head Office)
Brisbane Sales
Melbourne Office
Adelaide Office

Unit 1, 29 Prince William Drive, Seven Hills NSW 2147
28 The Gateway, Broadmeadows VIC 3047
71 Anzac Highway, Ashford SA 5035

Phone: (02) 9414 8888
Phone: (07) 3308 5555
Phone: (03) 9330 8333
Phone: (08) 8338 5540

sales@accesscomms.com.au
brisbane@accesscomms.com.au
melbourne@accesscomms.com.au
adelaide@accesscomms.com.au

In-line AC Adaptor 66A 24V AC 2000mA Strip/Tin In-Line T2420ST

ELECTRICAL CHARACTERISTICS

Input Voltage	240V 50Hz
Output rated voltage	24V AC \pm 5 %
Output rated current	2000 mA
Output no-load voltage	27 Vmax

1.1	Hi-Pot Test: 4kV 50Hz for one minute between Input and Output circuit, no flashover or breakdown shall occur during the test
1.2	Insulation Test 500 VDC applied for one minute between Input and Output circuit, the insulation resistance can't be less than 100MΩ
1.3	Temperature Rise 85 °C max , primary winding with output full load (R of R Method)
1.4	Output Jack Type & Strip Tin 2.1 x 5.5 x 11mm
1.5	Output Jack Wire 2C AWG #20 x 6ft.
1.6	Input Cord 2C SAA type 2pin x 6ft. (PHP-208)

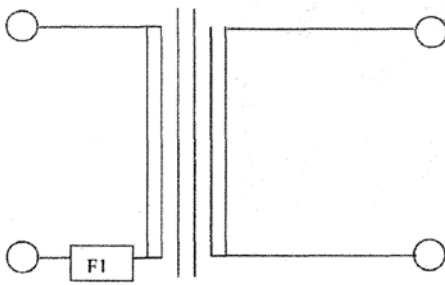
In-line AC Adaptor 66A 24V AC 2000mA Strip/Tin In-Line T2420ST

MECHANICAL CHARACTERISTICS

- 2.1** **Strain Relief Test**
 A 20 pound force (89N) is to be applied to the cord or output cord for 1 minute without displacement deformation of its anchoring surface. The strain relief shall not be acceptable if there is any movement of the cord to indicate that stress on the connections would have resulted.
- 2.2** **Drop Test**
 Three samples are to be dropped (free fall) three times in succession from a height of 3 feet (914mm) onto a hardwood surfaces. After completion of the drop test, each sample is to be subject to the dielectric voltage withstand test as described in section 1.1, no flashover or insulation breakdown shall occur.
- 2.3** **Direct Plug-In Blade Secureness Test**
 Each blade and the grounding pin shall withstand a direct pull of 20 pounds (89N) for 2 minutes without loosening.

Note : Subject to the manufacturer's changes on specifications

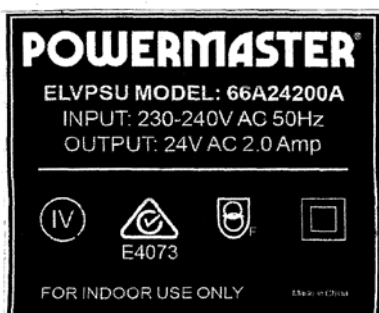
CIRCUIT DIAGRAM



(F1) Primary Fuse : 125 °C

INPUT VOLTAGE	AC240V
OUTPUT RATED VOLTAGE	25.60V

RATING PLATE



To view Access' extensive ranges go to: www.accesscomms.com.au

Sydney (Head Office)
Brisbane Sales
Melbourne Office
Adelaide Office

Unit 1, 29 Prince William Drive, Seven Hills NSW 2147
 28 The Gateway, Broadmeadows VIC 3047
 71 Anzac Highway, Ashford SA 5035

Phone: (02) 9414 8888
 Phone: (07) 3308 5555
 Phone: (03) 9330 8333
 Phone: (08) 8338 5540

sales@accesscomms.com.au
brisbane@accesscomms.com.au
melbourne@accesscomms.com.au
adelaide@accesscomms.com.au