

## 48D SMPSU 18V DC 2330mA 11-55-21 C-Pos C14

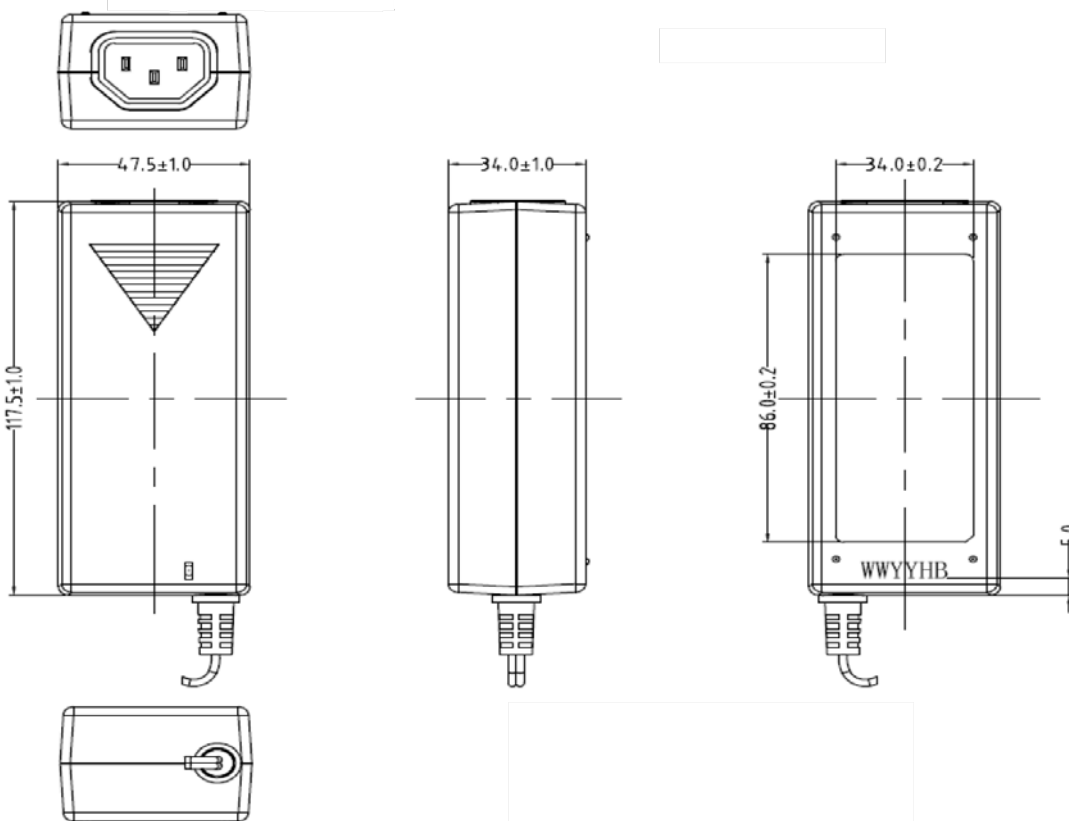
T1823-021



### FEATURES

- In-line light weight compact Switch Mode Power Supply Units with a wide 96V-264V AC input voltage range to suit travel product applications.
- Standard IEC-C14 inlet allows the correct IEC-C13 power cord to be selected for different countries.
- Electrical Safety Authority Approved.
- Other voltages and choice of output plug can be custom made upon request.

### DESIGN & CONSTRUCTION



To view Access' extensive ranges go to: [www.accesscomms.com.au](http://www.accesscomms.com.au)

Sydney (Head Office)  
Brisbane Sales  
Melbourne Office  
Adelaide Office

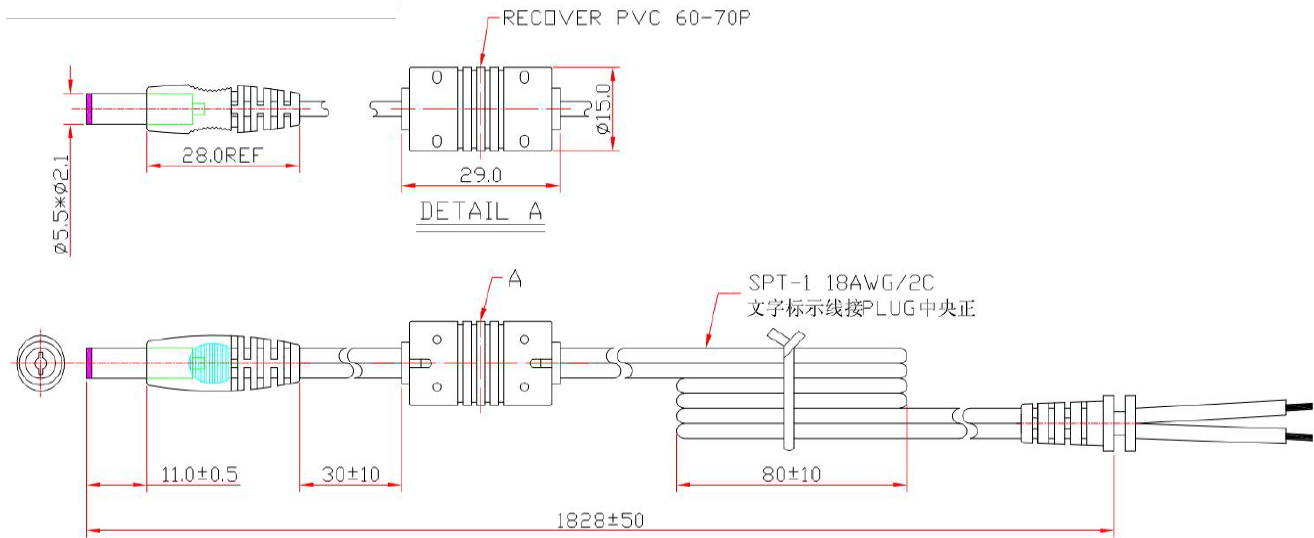
Unit 1, 29 Prince William Drive, Seven Hills NSW 2147  
28 The Gateway, Broadmeadows VIC 3047  
71 Anzac Highway, Ashford SA 5035

Phone: (02) 9414 8888  
Phone: (07) 3308 5555  
Phone: (03) 9330 8333  
Phone: (08) 8338 5540

[sales@accesscomms.com.au](mailto:sales@accesscomms.com.au)  
[brisbane@accesscomms.com.au](mailto:brisbane@accesscomms.com.au)  
[melbourne@accesscomms.com.au](mailto:melbourne@accesscomms.com.au)  
[adelaide@accesscomms.com.au](mailto:adelaide@accesscomms.com.au)

## 48D SMPSU 18V DC 2330mA 11-55-21 C-Pos C14

T1823-021



### INPUT REQUIREMENT

	MINIMUM	NOMINAL	MAXIMUM
AC Input Voltage	90 VAC	100 - 240 VAC	264 VAC
AC Input Frequency	47 Hz	50 / 60Hz	63 Hz
AC Input Current	1.2 A Maximum		
<b>At Full Load, 25°C, Cold Start</b>			
AC Inrush Current	115 VAC , 60 Hz Input 230 VAC , 50 Hz Input	No Damage shall occur and the input fuse shall not be blown up	
Primary Current Protection	An Adequate internal fuse on the AC input line is provided		
Configuration	Desk-Type IEC320 (C14)		
Power Consumption on Power Saving Mode	<b>LOAD</b>	<b>INPUT CONDITION</b>	<b>INPUT POWER REQUIREMENT</b>
	0 A	230 VAC 50 HZ	0.3 W Maximum

To view Access' extensive ranges go to: [www.accesscomms.com.au](http://www.accesscomms.com.au)

Sydney (Head Office)  
Brisbane Sales  
Melbourne Office  
Adelaide Office

Unit 1, 29 Prince William Drive, Seven Hills NSW 2147  
28 The Gateway, Broadmeadows VIC 3047  
71 Anzac Highway, Ashford SA 5035

Phone: (02) 9414 8888  
Phone: (07) 3308 5555  
Phone: (03) 9330 8333  
Phone: (08) 8338 5540

sales@accesscomms.com.au  
brisbane@accesscomms.com.au  
melbourne@accesscomms.com.au  
adelaide@accesscomms.com.au

## 48D SMPSU 18V DC 2330mA 11-55-21 C-Pos C14

T1823-021

### OUTPUT REQUIREMENT

DC Output Voltage	+ 18V
Minimum Load Current	0 A
Nominal Load Current	2.33 A
Nominal Output Power	41.94 W
Total Output Regulation	± 5%
Line Regulation	± 5% At Nominal Input Voltage and Full Load
Ripple and Noise	At 20MHz and Output Parallel with 0.1uF & 10 uF capacitors to ground temperature at 25°C, At Nominal Input Voltage
Efficiency	85.59% Minimum At 115/230 VAC Input Voltage Meet Efficiency Level: V ERP: 2009/125/EC
DROP-OUT	With half cycle input voltage drop-out, the unit shall operate within the prescribed voltages with a drop-out pulse repetition rate of 500mS. Conditions: Full load and nominal input AC voltage Limits: Meet the regulation requirement
Over-Current Protection	6A Maximum with Auto-Recovery Function
Over-Voltage Protection	32V Maximum
Short Circuit Protection	The Adapter shall not be damaged by short the DC Output to Ground
Open Circuit Protection	When Primary Power is applied with no load on any output level, no components damaged or hazardous conditions should be occurred.
Unless otherwise specification output load. Must set at CC Mode	

To view Access' extensive ranges go to: [www.accesscomms.com.au](http://www.accesscomms.com.au)

Sydney (Head Office)  
Brisbane Sales  
Melbourne Office  
Adelaide Office

Unit 1, 29 Prince William Drive, Seven Hills NSW 2147  
28 The Gateway, Broadmeadows VIC 3047  
71 Anzac Highway, Ashford SA 5035

Phone: (02) 9414 8888  
Phone: (07) 3308 5555  
Phone: (03) 9330 8333  
Phone: (08) 8338 5540

sales@accesscomms.com.au  
brisbane@accesscomms.com.au  
melbourne@accesscomms.com.au  
adelaide@accesscomms.com.au

## 48D SMPSU 18V DC 2330mA 11-55-21 C-Pos C14

T1823-021

### ENVIRONMENTAL SPECIFICATIONS

Cooling	Cooling shall be with natural convection cooling
Operating Temperature	0°C to 40°C
Storage Temperature	- 20°C to +80°C
Operating Humidity	20 ~ 85 % RH. Non - Condensing
Storage Humidity	5 ~ 95% RH. Non - Condensing

### RELIABILITY

Mean time between failure (MTBF)	The Power Supply shall be designed and prediction to have a mean time between failures (MTBF) of 50000 operating hours minimum and conditions: @115VAC/230VAC, full load, 0°C ~ 40°C, MTBF calculation meet Telcordia Technologies Special Report SR-332.
----------------------------------	---

### MECHANICAL SPECIFICATIONS

Dimension	118.5 (L) x 48.5 (W) x 35 (H) mm maximum
Weight	220g ± 40g
AC Inlet Type	IEC320 (C14)
Output Cord	
Wire	18 AWG / 2C SPT-1, 1828mm
Plug	Jack Plug 5.5 x 2.1 x 11mm
Colour	Case Black DC-Cord Black

To view Access' extensive ranges go to: [www.accesscomms.com.au](http://www.accesscomms.com.au)

Sydney (Head Office)  
Brisbane Sales  
Melbourne Office  
Adelaide Office

Unit 1, 29 Prince William Drive, Seven Hills NSW 2147  
28 The Gateway, Broadmeadows VIC 3047  
71 Anzac Highway, Ashford SA 5035

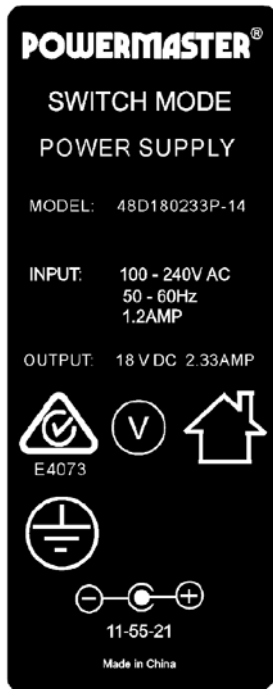
Phone: (02) 9414 8888  
Phone: (07) 3308 5555  
Phone: (03) 9330 8333  
Phone: (08) 8338 5540

[sales@accesscomms.com.au](mailto:sales@accesscomms.com.au)  
[brisbane@accesscomms.com.au](mailto:brisbane@accesscomms.com.au)  
[melbourne@accesscomms.com.au](mailto:melbourne@accesscomms.com.au)  
[adelaide@accesscomms.com.au](mailto:adelaide@accesscomms.com.au)

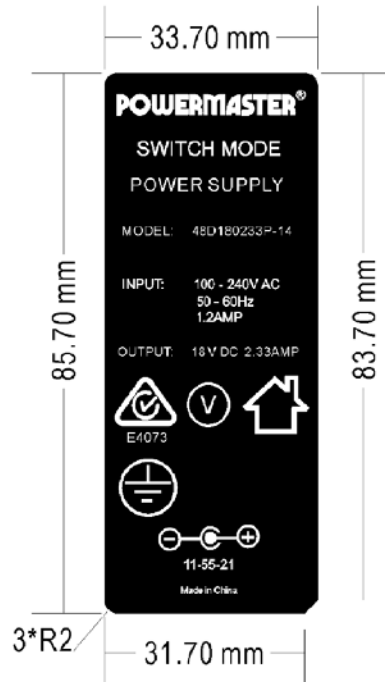
## 48D SMPSU 18V DC 2330mA 11-55-21 C-Pos C14

T1823-021

### RATING PLATE



1.5:1



1:1