

Quick Term RJ45 Crimp Tool

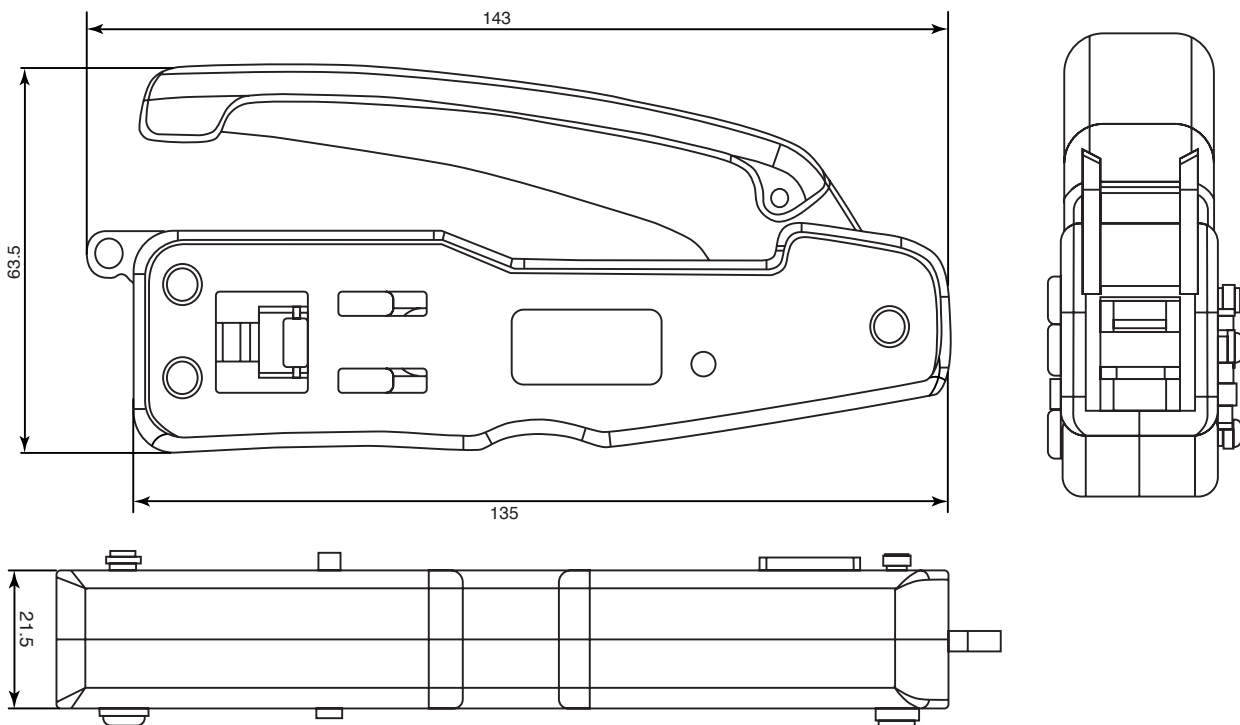
T0019QT



FEATURES

Able to crimp Datamaster® Quick Term RJ45 plugs easily and cut wires flat. The Datamaster® Quick Term crimp tool has a quick lock and release feature allowing it to be stored in the smallest of spaces. This tool is an economic and reliable choice for installers and DIYers who need small looking tools for a quick and reliable data termination solution.

DESIGN & CONSTRUCTION



MATERIAL CHARACTERISTICS

Length	143mm
Weight	246g
Material	Copper Alloy

To view Access' extensive ranges go to: www.accesscomms.com.au

Sydney (Head Office)
Brisbane Sales
Melbourne Office
Adelaide Office

Unit 1, 29 Prince William Drive, Seven Hills NSW 2147
28 The Gateway, Broadmeadows VIC 3047
71 Anzac Highway, Ashford SA 5035

Phone: (02) 9414 8888
Phone: (07) 3308 5555
Phone: (03) 9330 8333
Phone: (08) 8338 5540

sales@accesscomms.com.au
brisbane@accesscomms.com.au
melbourne@accesscomms.com.au
adelaide@accesscomms.com.au