

POWERMASTER

IEC-C14 to C15 1.5m BLK

K3742-015

ACCESS
COMMUNICATIONS PTY LTD



FEATURES

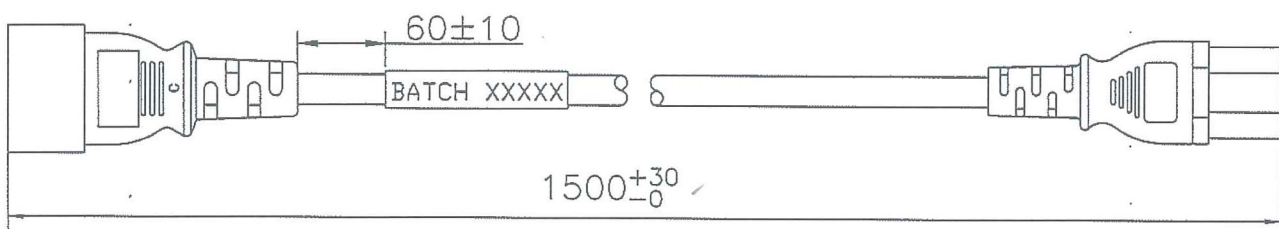
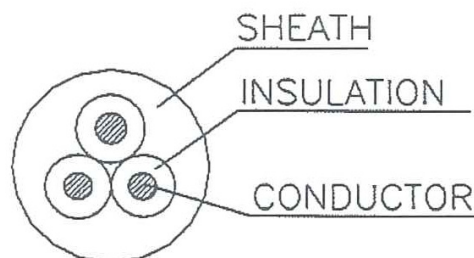
10 Amp AC power cord used mainly to power computer servers from a UPS IEC outlet. Fitted with male IEC-C14 and female high temperature IEC-C15 connectors.

High temperature RR flex as required for compliance when molded to the IEC-C15 connector.

CAT#	SIZE	COLOUR
K3742-005	500mm	BLACK
K3742-010	1.0 metre	BLACK
K3742-015	1.5 metre	BLACK
K3742-016	1.5 metre	WHITE
K3742-020	2.0 metre	BLACK
K3742-030	3.0 metre	BLACK
K3742-050	5.0 metre	BLACK

LINE DRAWING

CORD SECTION:



To view Access' extensive ranges go to: www.accesscomms.com.au

Sydney (Head Office)

Brisbane Office

Melbourne Office

Adelaide Office

33-35 Alleyne Street, Chatswood, NSW, 2067

Unit 4, 7 Luke Street, Lytton, QLD, 4178

28 The Gateway, Broadmeadows, VIC, 3047

71 Anzac Highway, Ashford, SA, 5035

Phone: (02) 9414 8888

Phone: (07) 3308 5555

Phone: (03) 9330 8333

Phone: (08) 8338 5540

Fax: (02) 9414 8800

Fax: (07) 3308 5500

Fax: (03) 9330 8330

Mob: 0438 245 116

websales@accesscomms.com.au

brisbane@accesscomms.com.au

melbourne@accesscomms.com.au

adelaide@accesscomms.com.au

POWERMASTER

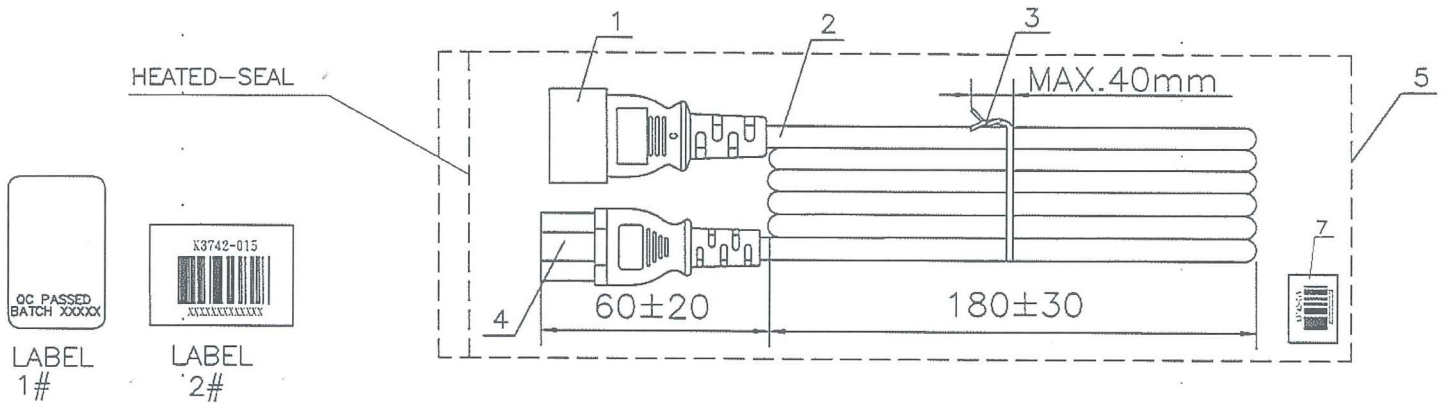
IEC-C14 to C15 1.5m BLK

K3742-015



PO

MATERIALS



CODE	ITEM	MATERIAL
1	PVC MOLDED PLUG	PHP-310 (BLACK) * POWERMASTER * C14
2	FLEXIBLE CORD	H05RR-F 3G0.75MM ²
3	VINYL TIE	
	a. Tied twice with PVC Vinyl-Tie	PVC VINYL
	b. Vinyl-Tie Loose end section much not exceed 40mm	
4	PVC Molded connector	PHS-304 Black Powermaster
5	PE SACK: 300 x 130 x TO 0.05mm	Minimum 3mm, Contact Area
6	1 # LABEL 40*25mm	
7	2 # LABEL L28x20 (Customer Supplied)	LABEL

To view Access' extensive ranges go to: www.accesscomms.com.au

Sydney (Head Office)
Brisbane Office
Melbourne Office
Adelaide Office

33-35 Alleyne Street, Chatswood, NSW, 2067
 Unit 4, 7 Luke Street, Lytton, QLD, 4178
 28 The Gateway, Broadmeadows, VIC, 3047
 71 Anzac Highway, Ashford, SA, 5035

Phone: (02) 9414 8888
 Phone: (07) 3308 5555
 Phone: (03) 9330 8333
 Phone: (08) 8338 5540

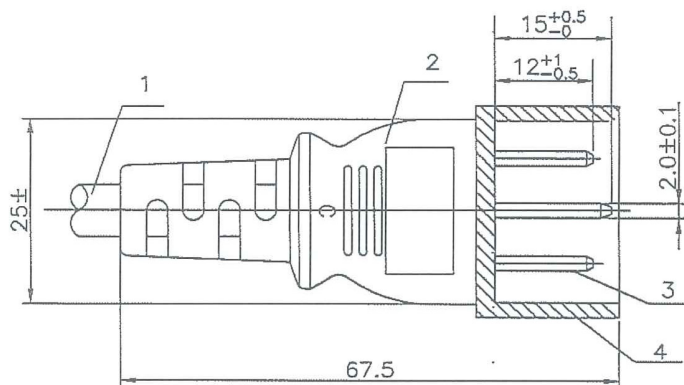
Fax: (02) 9414 8800
 Fax: (07) 3308 5500
 Fax: (03) 9330 8330
 Mob: 0438 245 116

websales@accesscomms.com.au
brisbane@accesscomms.com.au
melbourne@accesscomms.com.au
adelaide@accesscomms.com.au

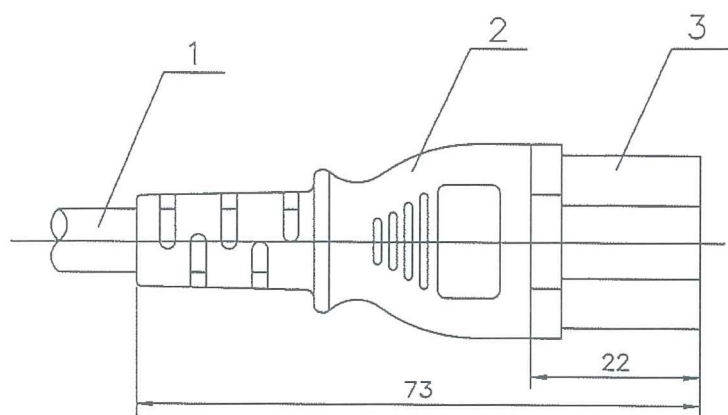


SPECIFICATION

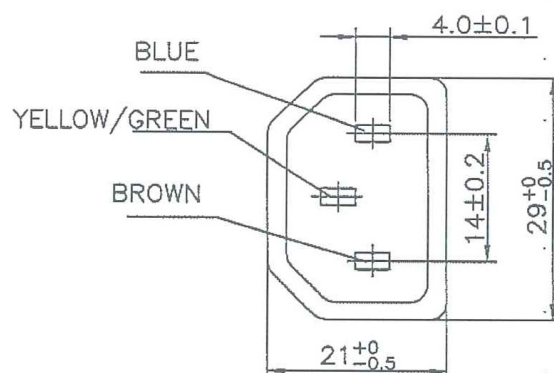
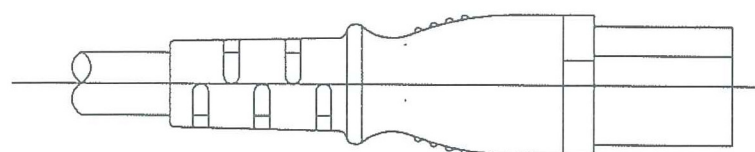
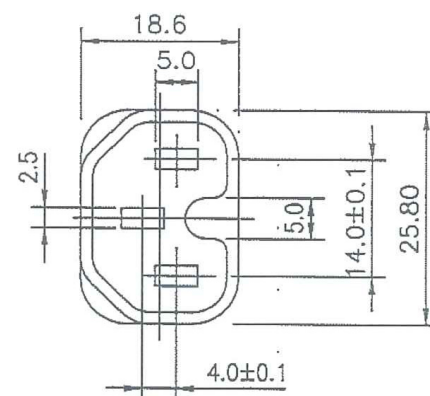
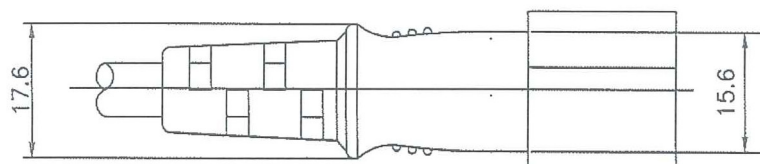
ITEM	TOLERANCE
1 PVC FLEXIBLE CORD	$> 20 : \pm 2.0$
2 PVC MOLDED PLUG	$\leq 20 : \pm 1.0$
3 PIN: NICKEL PLATING	$\leq 10 : \pm 0.5$
4 CRUST	$\leq 1.0 : \pm 0.3$



LINE DRAWING



1. FLEXIBLE CORD
2. CONNECTOR BODY
3. INSERT



To view Access' extensive ranges go to: www.accesscomms.com.au

Sydney (Head Office)
Brisbane Office
Melbourne Office
Adelaide Office

33-35 Alleyne Street, Chatswood, NSW, 2067
 Unit 4, 7 Luke Street, Lytton, QLD, 4178
 28 The Gateway, Broadmeadows, VIC, 3047
 71 Anzac Highway, Ashford, SA, 5035

Phone: (02) 9414 8888
 Phone: (07) 3308 5555
 Phone: (03) 9330 8333
 Phone: (08) 8338 5540

Fax: (02) 9414 8800
 Fax: (07) 3308 5500
 Fax: (03) 9330 8330
 Mob: 0438 245 116

websales@accesscomms.com.au
brisbane@accesscomms.com.au
melbourne@accesscomms.com.au
adelaide@accesscomms.com.au