



SUMMARY

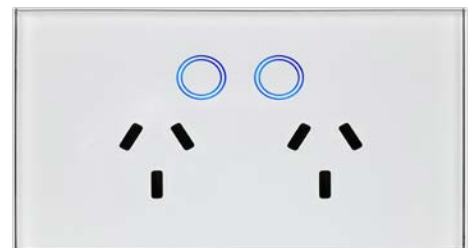
Powermaster's range of Touch GPO is where style meets function. The light touch function makes them the most accessible GPO's including light indication, showing on/off status and illumination for night time. Home fashion designed anti-shock acrylic material faceplate, co-ordinates with Powermaster's Touch Switch range . Tested to Australian standards 220-240V AC / 50Hz-60Hz.

CAT#	COLOUR	GANG	OUTPUT
P60012GPOH	White	1	240V Outlet
P60011GPOUSB1	White	2	240V Outlet + DC 5V / 2.1A USB

FEATURES

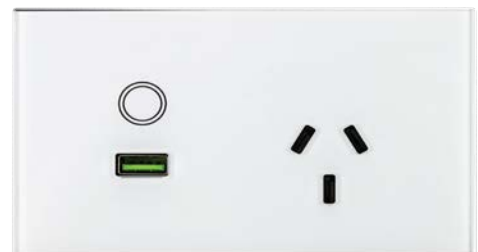
Wall Socket Charger

- High quality tempered glass panel design, never fade.
- With blue LED indicator, very distinguished.
- Easy to install, replace the old switch directly.
- Remote control or Wifi control is available.



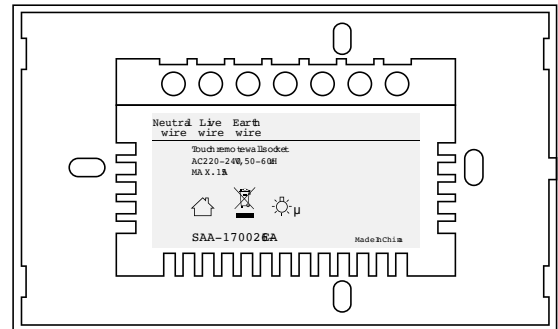
Wall Socket & USB Charger

- High quality tempered glass panel design, never fade.
- With blue LED indicator, very distinguished.
- Easy to install, replace the old switch directly.
- USB charger DC 5V / 2.1A

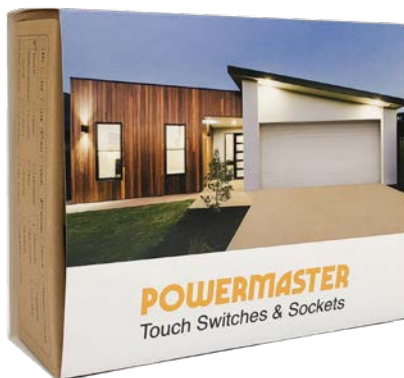


Touch GPO

SPECIFICATIONS



Dimension	120 x 72 x 42 mm
Operating voltage	220-240V AC/50~60Hz
Operating Current	Max.15A
Safety Certificate	AS / NZS 60669.2.1:2013



To view Access' extensive ranges go to: www.accesscomms.com.au

Sydney (Head Office)
Brisbane Sales
Melbourne Office
Adelaide Office

Unit 1, 29 Prince William Drive, Seven Hills NSW 2147

28 The Gateway, Broadmeadows VIC 3047
71 Anzac Highway, Ashford SA 5035

Phone: (02) 9414 8888
Phone: (07) 3308 5555
Phone: (03) 9330 8333
Phone: (08) 8338 5540

sales@accesscomms.com.au
brisbane@accesscomms.com.au
melbourne@accesscomms.com.au
adelaide@accesscomms.com.au