

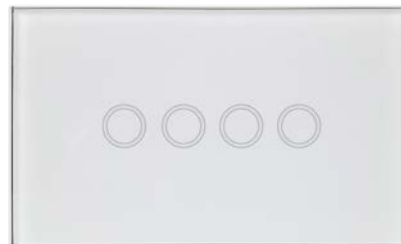
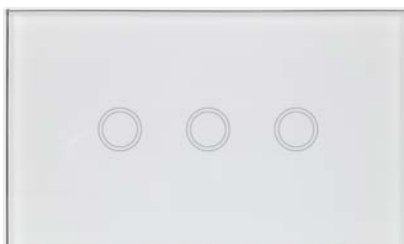
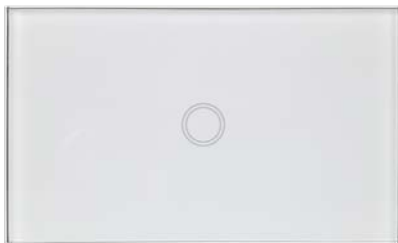


### FEATURES

Powermaster's range of Touch Switches is where style meets function. The light touch function of the switches makes it the most accessible light switch including light indication showing on/off status and illumination for night time. Home fashion designed anti-shock acrylic material faceplate, co-ordinates with Powermaster' Touch GPO range. Tested and certified to Australian safety standards.

- High quality crystal tempered glass panel design, never fade.
- With blue LED indicator, very distinguished.
- Overload & overheat protections.
- Support single live wire and N/L wire connection, easy to install replace the old switch directly.
- Applicable to incandescent lights, fluorescent lamps, led lamps, water heater, ventilator and motor etc.

CAT#	COLOUR	GANG
P60011GSH	White	1
P60012GSH	White	2
P60013GSH	White	3
P60014GSH	White	4



To view Access' extensive ranges go to: [www.accesscomms.com.au](http://www.accesscomms.com.au)

Sydney (Head Office)  
Brisbane Sales  
Melbourne Office  
Adelaide Office

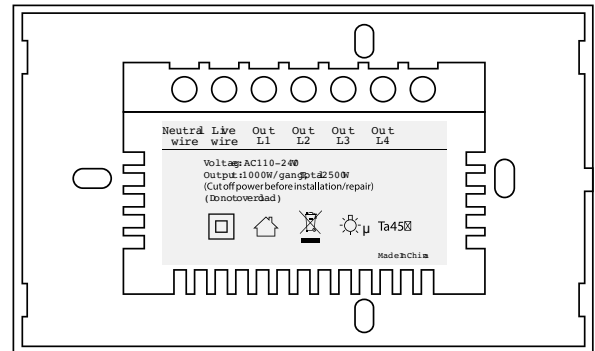
Unit 1, 29 Prince William Drive, Seven Hills NSW 2147  
28 The Gateway, Broadmeadows VIC 3047  
71 Anzac Highway, Ashford SA 5035

Phone: (02) 9414 8888  
Phone: (07) 3308 5555  
Phone: (03) 9330 8333  
Phone: (08) 8338 5540

sales@accesscomms.com.au  
brisbane@accesscomms.com.au  
melbourne@accesscomms.com.au  
adelaide@accesscomms.com.au

## Touch Switches

### MEASUREMENT Specifications



<b>Dimension</b>	120 x 72 x 43 mm
<b>Operating voltage</b>	110V-240V/50-60HZ
<b>Rated load</b>	1000W/Gang, total 2500W
<b>Safety Certificate</b>	AS / NZ 6069.2.1 : 2013

### INTERMEDIATE TOUCH SWITCHES

- The same light can be controlled by two switches in two different places Do not need to turn on/off the light in one place, very convenient.
- Note: The two switches should be installed in the same room or floor. Try to avoid installing them in the corners or between walls.
- Control Distance: less than 20m.
- Frequency: 433 MHz.
- Every intermediate touch switches consist of two switches (Switch A & Switch B ).
- Switch B only support double wire.



To view Access' extensive ranges go to: [www.accesscomms.com.au](http://www.accesscomms.com.au)

Sydney (Head Office)  
Brisbane Sales  
Melbourne Office  
Adelaide Office

Unit 1, 29 Prince William Drive, Seven Hills NSW 2147  
28 The Gateway, Broadmeadows VIC 3047  
71 Anzac Highway, Ashford SA 5035

Phone: (02) 9414 8888  
Phone: (07) 3308 5555  
Phone: (03) 9330 8333  
Phone: (08) 8338 5540

sales@accesscomms.com.au  
brisbane@accesscomms.com.au  
melbourne@accesscomms.com.au  
adelaide@accesscomms.com.au