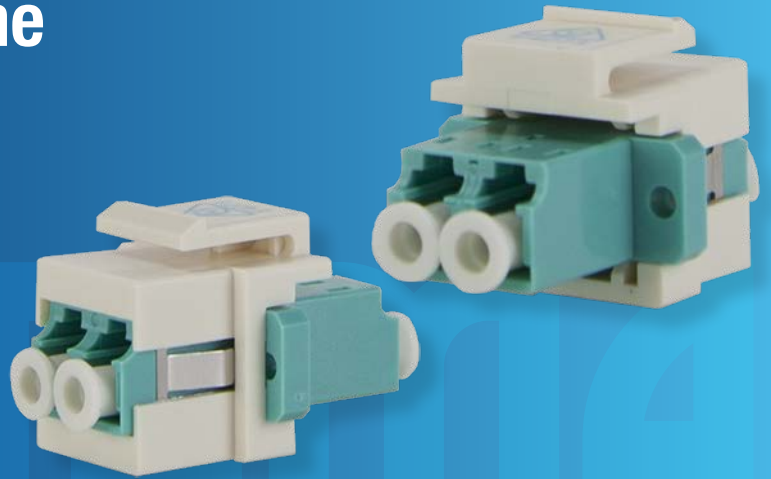


LC to LC Fibre Keystone Insert OM4

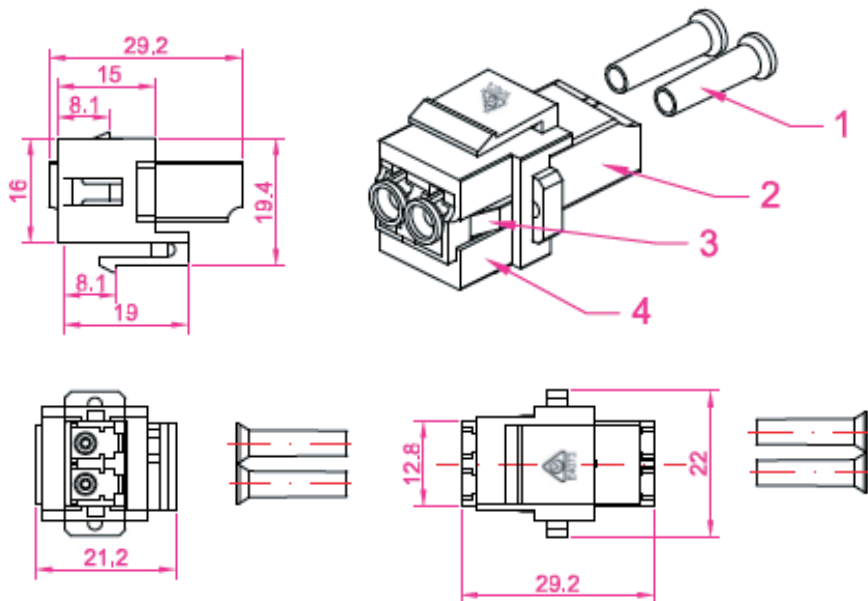
P4722LCLC



FEATURES

- Multi-purpose keystone design
- Snaps easily into fibre wall plates, blank patch panels or mounting box
- Interchangeable and replaceable

DESIGN & CONSTRUCTION



1	Dust Cover, PVC, White colour
2	Housing, PC, UL 94V-0
3	Clip, Stainless
4	Insert, ABS, UL 94V-0

PERFORMANCE	
LC Duplex	MM Type
Durability	500 Cycles
Tensile Strength	10kgf
Insertion Loss	<0.3 dB (Single mode)/<0.3 dB (Multinode)
Operating Temperature	-20°C to +70°C
Storage Temperature	-40°C to +80°C

To view Access' extensive ranges go to: www.accesscomms.com.au

Sydney (Head Office)
Brisbane Sales
Melbourne Office
Adelaide Office

Unit 1, 29 Prince William Drive, Seven Hills NSW 2147
28 The Gateway, Broadmeadows VIC 3047
71 Anzac Highway, Ashford SA 5035

Phone: (02) 9414 8888
Phone: (07) 3308 5555
Phone: (03) 9330 8333
Phone: (08) 8338 5540

sales@accesscomms.com.au
brisbane@accesscomms.com.au
melbourne@accesscomms.com.au
adelaide@accesscomms.com.au