

## Cat 6 IDC Data Jack

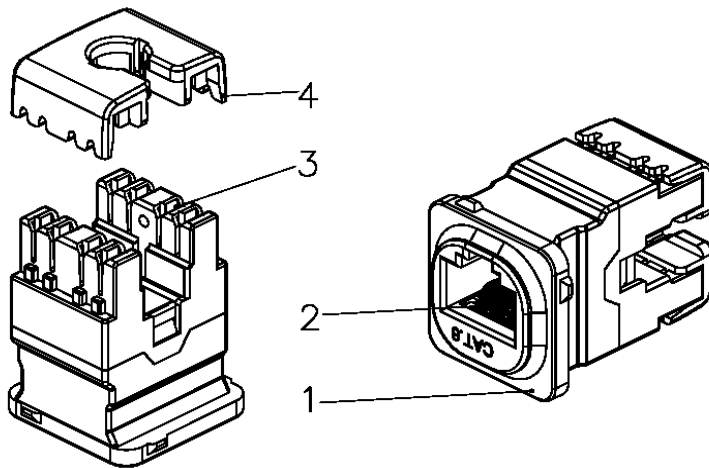
P4666 Series



### FEATURES

- Our premium RJ45 Cat-6 IDC data jack. Compatible with our P4600 series flush plates and most standard Australian flush plates.
- Also suits our P4611 Surface Boxes.
- Rear termination with 110 or Krone IDC impact tool.
- Combined T568A & T568B colour coding for easy installation.
- Available in individual Datamaster® zip-top bags or buckets of 50 pieces which include a bonus impact safety chassis for safe and speedy termination.

### MATERIAL SPECIFICATIONS



PART	DESCRIPTION
1	RJ45 Jack
1-1	Housing: ABS, UL 94 V-0 with optional colour painted
1-2	Contact bracket: PC, UL 94 V-2, Transparent colour
2	RJ45 Jack Contact
2-1	Material: Phosphor bronze with nickel plated
2-2	Finish: 50µ" Gold Plated on plug contact area
3	IDC Housing
3-1	Housing: PC+Glass fibre, UL 94 V-2
3-2	Terminal: Phosphor bronze with min tin plated
4	IDC Cap
	ABS, UL 94 V-0
5	PCB
	FR4, UL 94V-0

To view Access' extensive ranges go to: [www.accesscomms.com.au](http://www.accesscomms.com.au)

Sydney (Head Office)  
Brisbane Sales  
Melbourne Office  
Adelaide Office

Unit 1, 29 Prince William Drive, Seven Hills NSW 2147  
28 The Gateway, Broadmeadows VIC 3047  
71 Anzac Highway, Ashford SA 5035

Phone: (02) 9414 8888  
Phone: (07) 3308 5555  
Phone: (03) 9330 8333  
Phone: (08) 8338 5540

sales@accesscomms.com.au  
brisbane@accesscomms.com.au  
melbourne@accesscomms.com.au  
adelaide@accesscomms.com.au

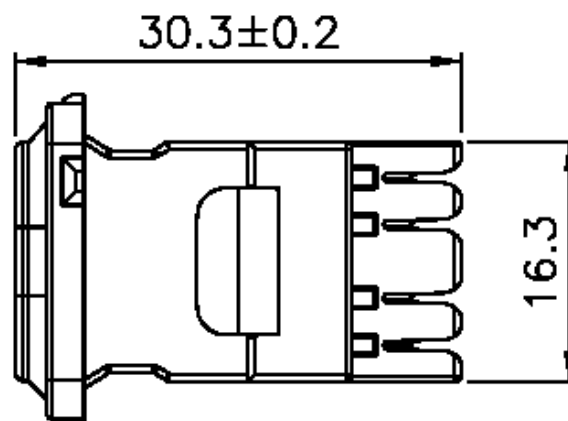
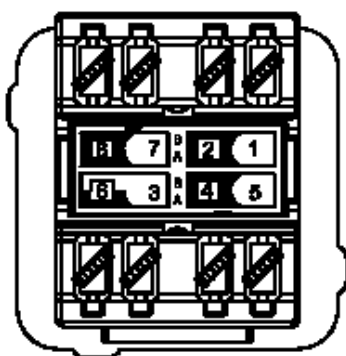
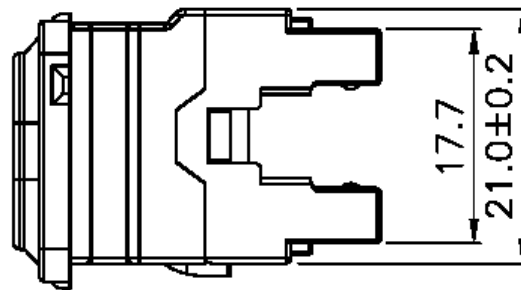
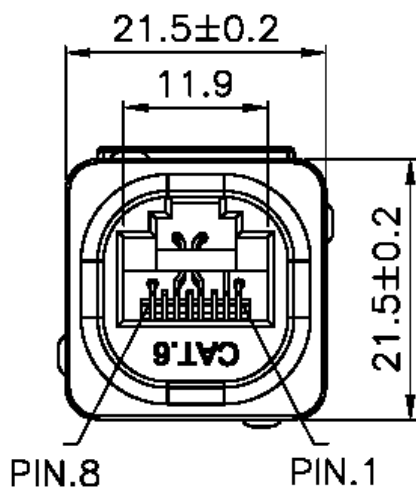
## Cat 6 IDC Data Jack

P4666 Series

### PERFORMANCE SPECIFICATIONS

Wiring	T568A & T568B	
Insertion Force	20N max. ( IEC 60603 - 7 - 4 )	
Retention Strength	7.7 kgs between jack and plug	
Operating Temperature	- 10°C to + 60°C (ISO/ICE 11801, ANSI/TIA 568 C.2)	
Life (mating cycles)	Jack	750 cycles min. ( ISO/IEC 11801, IEC 60603-7-4 )
	IDC	Suitable for 22-26 AWG solid wire, compatible with both 110 and Krone punch down tools
Durability	The Cat6 transmission performance is in compliance with the ANSI/TIA/EIA 568 C.2 standard	

### MEASUREMENT SPECIFICATIONS



To view Access' extensive ranges go to: [www.accesscomms.com.au](http://www.accesscomms.com.au)

Sydney (Head Office)  
Brisbane Sales  
Melbourne Office  
Adelaide Office

Unit 1, 29 Prince William Drive, Seven Hills NSW 2147  
28 The Gateway, Broadmeadows VIC 3047  
71 Anzac Highway, Ashford SA 5035

Phone: (02) 9414 8888  
Phone: (07) 3308 5555  
Phone: (03) 9330 8333  
Phone: (08) 8338 5540

sales@accesscomms.com.au  
brisbane@accesscomms.com.au  
melbourne@accesscomms.com.au  
adelaide@accesscomms.com.au

## Cat 6 IDC Data Jack

P4666 Series

### PRODUCT RANGE

SKU	COLOUR	TYPE	COMPATIBILITY	PACK
P4666-20	White	IDC Data Jack	Cat6	20 per pack
P4666-50	White	IDC Data Jack	Cat6	50 per pack
P4666BLK-10	Black	IDC Data Jack	Cat6	10 per pack
P4666RED-10	Red	IDC Data Jack	Cat6	10 per pack
P4666GRN-10	Green	IDC Data Jack	Cat6	10 per pack
P4666YEL-10	Yellow	IDC Data Jack	Cat6	10 per pack
P4666BLU-10	Blue	IDC Data Jack	Cat6	10 per pack



To view Access' extensive ranges go to: [www.accesscomms.com.au](http://www.accesscomms.com.au)

**Sydney (Head Office)**  
**Brisbane Sales**  
**Melbourne Office**  
**Adelaide Office**

Unit 1, 29 Prince William Drive, Seven Hills NSW 2147

28 The Gateway, Broadmeadows VIC 3047  
 71 Anzac Highway, Ashford SA 5035

Phone: (02) 9414 8888  
 Phone: (07) 3308 5555  
 Phone: (03) 9330 8333  
 Phone: (08) 8338 5540

[sales@accesscomms.com.au](mailto:sales@accesscomms.com.au)  
[brisbane@accesscomms.com.au](mailto:brisbane@accesscomms.com.au)  
[melbourne@accesscomms.com.au](mailto:melbourne@accesscomms.com.au)  
[adelaide@accesscomms.com.au](mailto:adelaide@accesscomms.com.au)