

DATAMASTER

ACCESS
COMMUNICATIONS PTY LTD

Cat 5e IDC Data Jack

P4665 Series



FEATURES

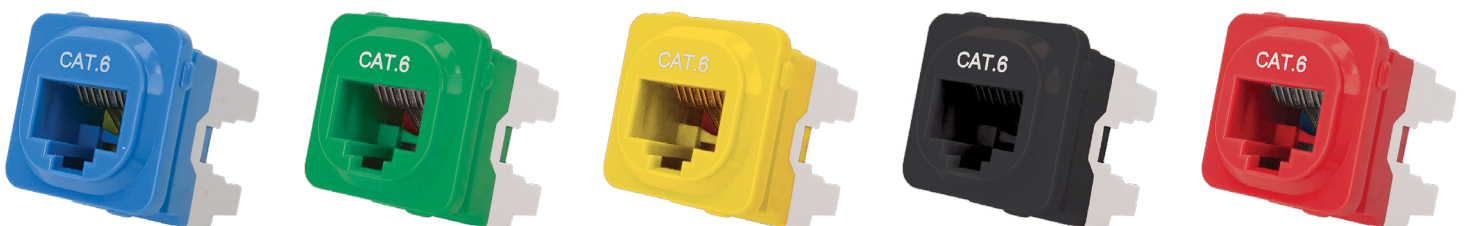
- Compatible with our P4600 series flush plates and most standard Australian flush plates.
- Suits our P4611 Surface Boxes.
- Rear termination with 110 or Krone IDC impact tool.
- Available in individual Datamaster® zip-top bags or in reusable buckets of 50 pieces which include a bonus impact safety chassis for safe and speedy termination.

PRODUCT PACKAGING PACK OF 10



PRODUCT RANGE

SKU	COLOUR	TYPE	COMPATIBILITY	PACK
P4665-20	White	IDC Data Jack	Cat5e	20 Per Jar
P4665-50	White	IDC Data Jack	Cat5e	50 Per Jar
P4665BLK	Black	IDC Data Jack	Cat5e	10 Per Pack
P4665RED	Red	IDC Data Jack	Cat5e	10 Per Pack
P4665GRN	Green	IDC Data Jack	Cat5e	10 Per Pack
P4665YEL	Yellow	IDC Data Jack	Cat5e	10 Per Pack
P4665BLU	Blue	IDC Data Jack	Cat5e	10 Per Pack



To view Access' extensive ranges go to: www.accesscomms.com.au

Sydney (Head Office)
Brisbane Office
Melbourne Office
Adelaide Office

Unit 1, 29 Prince William Drive, Seven Hills NSW, 2147
28 The Gateway, Broadmeadows, VIC, 3047
71 Anzac Highway, Ashford, SA, 5035

Phone: (02) 9414 8888
Phone: (07) 3308 5555
Phone: (03) 9330 8333
Phone: (08) 8338 5540

Fax: (02) 9414 8800
Fax: (07) 3308 5500
Fax: (03) 9330 8330

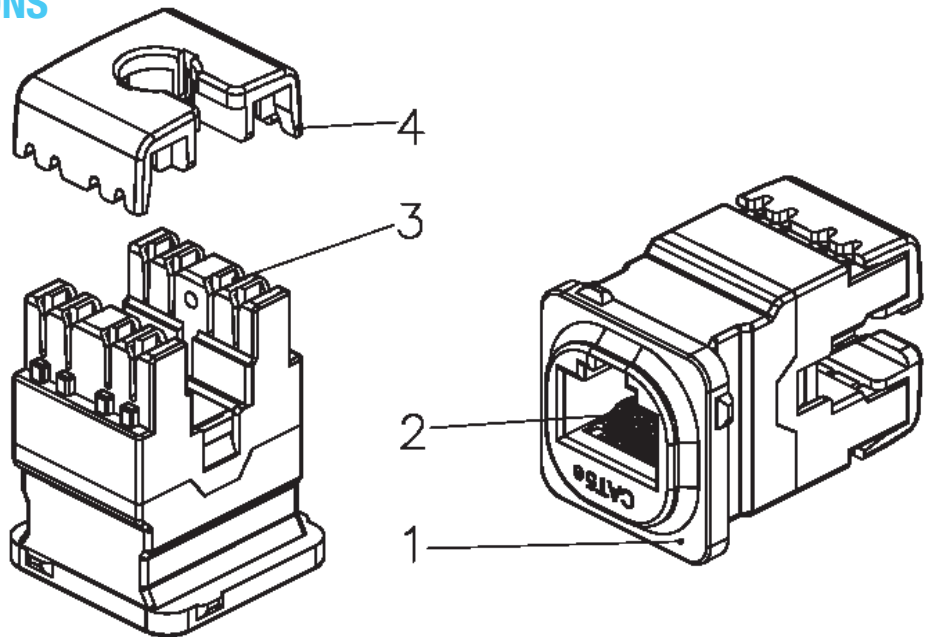
websales@accesscomms.com.au
brisbane@accesscomms.com.au
melbourne@accesscomms.com.au
adelaide@accesscomms.com.au

Cat 5e IDC Data Jack

P4665 Series



MATERIAL SPECIFICATIONS

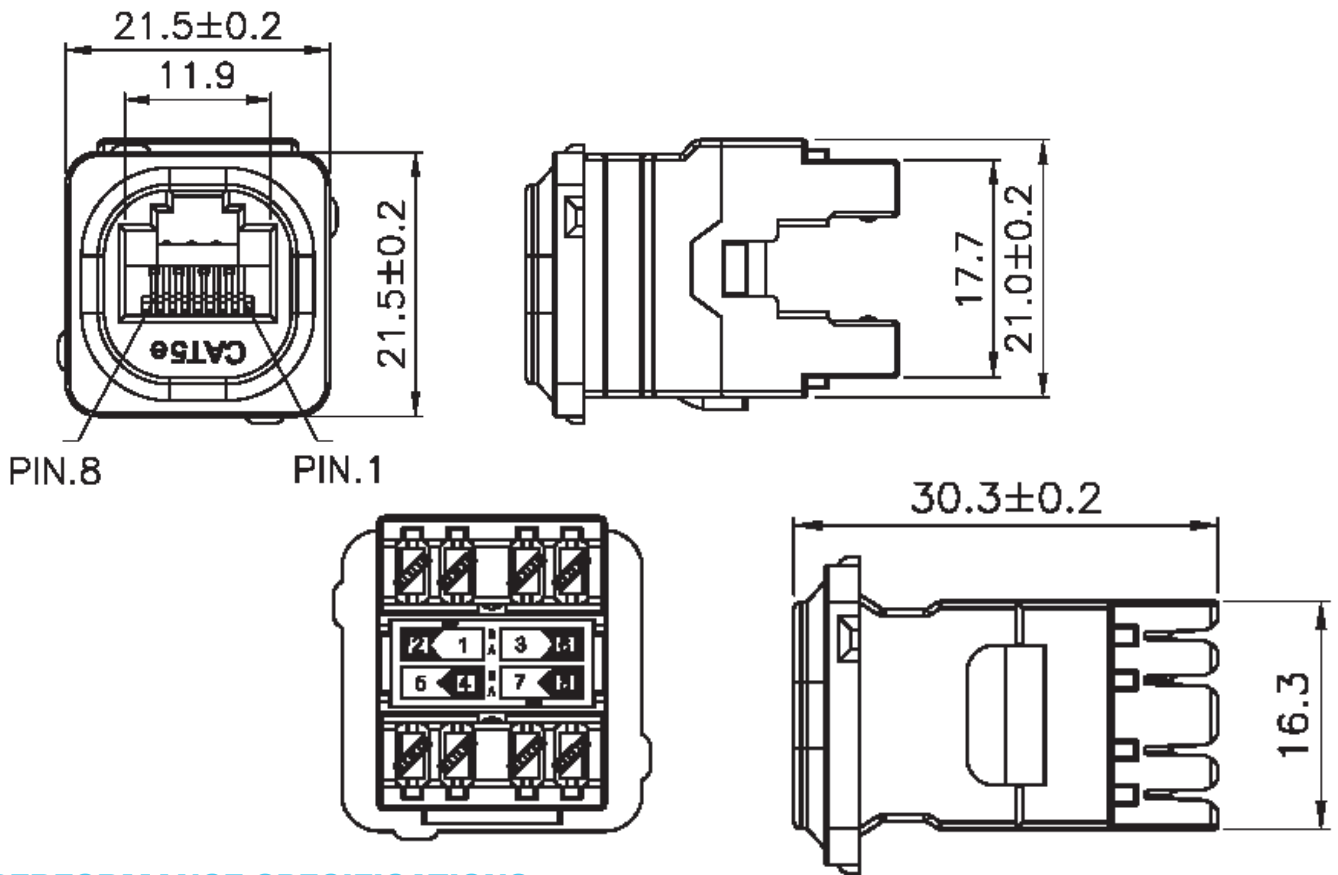


1.	RJ45 Jack	1 - 1 Housing : ABS, UL 94 V - 0, with optional colour painted 1 - 2 Contact Bracket : PC, UL 94 V - 2, Transparent Colour
2.	RJ45 Jack Contact	2 - 1 Material : Phosphor Bronze with Nickel Plated 2 - 2 Finish : 50 micro-inch Gold Plated on Plug Contact Area
3.	IDC Housing	3 - 1 Housing : PC + Glass Fiber, UL 94 V - 2 3 - 2 Terminal : Phosphor Bronze with min tin plated
4.	IDC CAP	ABS, UL 94 V - 0
5.	PCB	FR4, UL 94 V - 0

To view Access' extensive ranges go to: www.accesscomms.com.au

Cat 5e IDC Data Jack

P4665 Series



PERFORMANCE SPECIFICATIONS

Wiring	T568A & T568B
Insertion Force	20N max. (IEC 60603 - 7 - 4)
Retention Strength	7.7kg Between Jack & Plug
Operating Temperature	-10°C to 60°C (ISO/ICE 11801, ANSI/TIA 568 C.2)
Life (mating cycles)	Jack : 750 cycles min. (ISO/IEC 11801, IEC 60603-7-4)
	IDC : Suitable for 22-26 AWG solid wire, compatible with both 110 and Krone punch down tools.
Durability	The Cat5e transmission performance is in compliance with the ANSI/TIA/EIA 568 C.2 standard

To view Access' extensive ranges go to: www.accesscomms.com.au

Sydney (Head Office)
Brisbane Office
Melbourne Office
Adelaide Office

Unit 1, 29 Prince William Drive, Seven Hills NSW, 2147
28 The Gateway, Broadmeadows, VIC, 3047
71 Anzac Highway, Ashford, SA, 5035

Phone: (02) 9414 8888
Phone: (07) 3308 5555
Phone: (03) 9330 8333
Phone: (08) 8338 5540

Fax: (02) 9414 8800
Fax: (07) 3308 5500
Fax: (03) 9330 8330

websales@accesscomms.com.au
brisbane@accesscomms.com.au
melbourne@accesscomms.com.au
adelaide@accesscomms.com.au