

Cat 5e IDC Data Jack

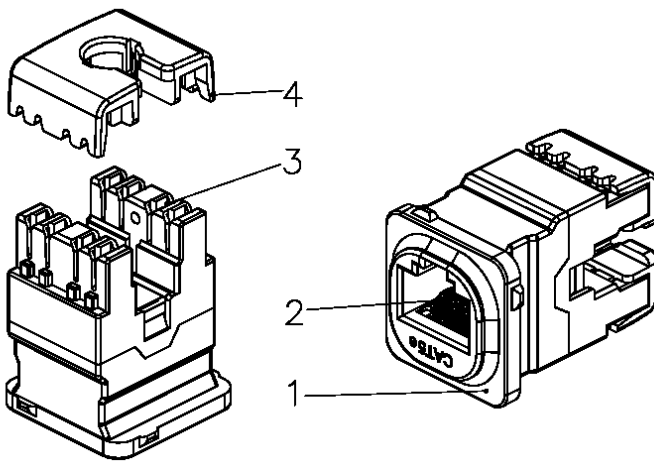
P4665



FEATURES

- Compatible with our P4600 series flush plates and most standard Australian flush plates.
- Suits our P4611 Surface Boxes.
- Rear termination with 110 or Krone IDC impact tool.
- Available in individual Datamaster® zip-top bags or in reusable buckets of 50 pieces which include a bonus impact safety chassis for safe and speedy termination.

MATERIAL SPECIFICATIONS



PART	DESCRIPTION
1	RJ45 Jack
1-1	Housing: ABS, UL 94 V-0 with optional colour painted
1-2	Contact bracket: PC, UL 94V-2, Transparent colour
2	RJ45 Jack Contact
2-1	Material: Phosphor bronze with nickel plated
2-2	Finish: 50µ" Gold Plated on plug contact area
3	IDC Housing
3-1	Housing: PC+Glass fibre, UL 94 V-2
3-2	Terminal: Phosphor bronze with min tin plated
4	IDC Cap
	ABS, UL 94 V-0
5	PCB
	FR4, UL 94V-0

To view Access' extensive ranges go to: www.accesscomms.com.au

Sydney (Head Office)
Brisbane Sales
Melbourne Office
Adelaide Office

Unit 1, 29 Prince William Drive, Seven Hills NSW 2147
28 The Gateway, Broadmeadows VIC 3047
71 Anzac Highway, Ashford SA 5035

Phone: (02) 9414 8888
Phone: (07) 3308 5555
Phone: (03) 9330 8333
Phone: (08) 8338 5540

sales@accesscomms.com.au
brisbane@accesscomms.com.au
melbourne@accesscomms.com.au
adelaide@accesscomms.com.au

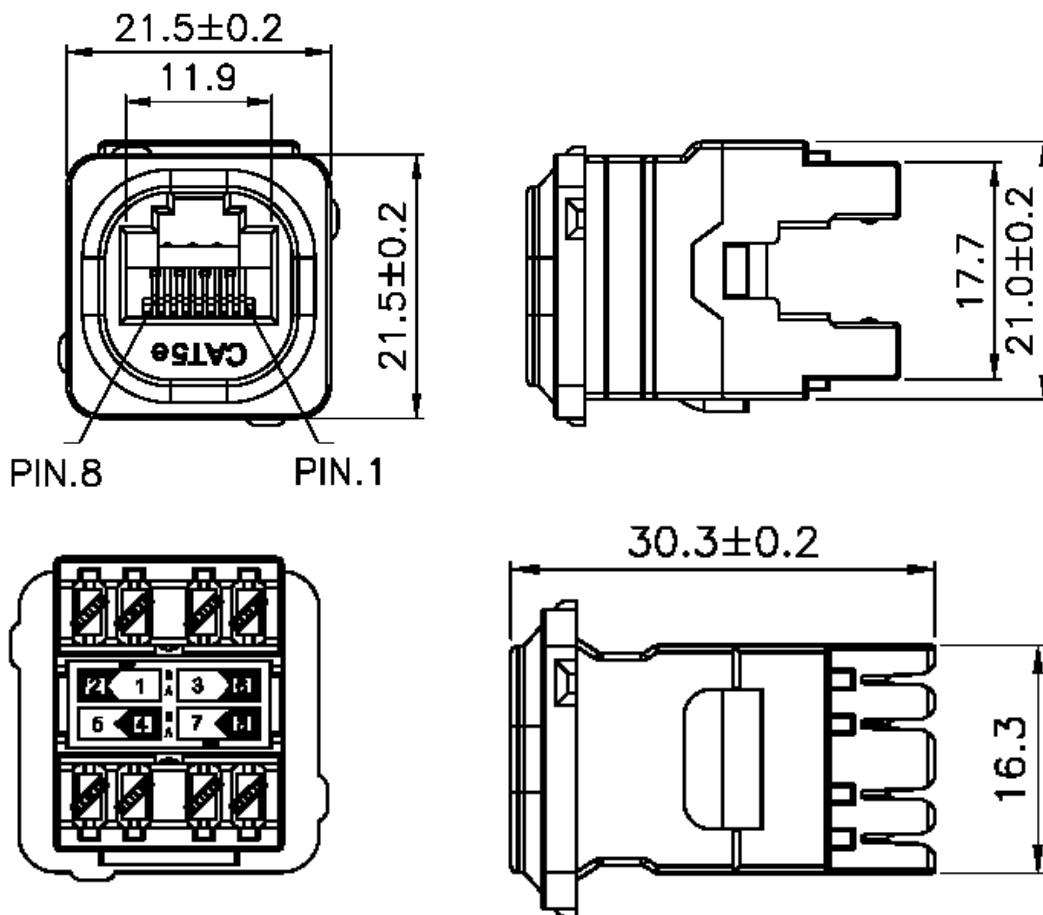
Cat 5e IDC Data Jack

P4665

PERFORMANCE SPECIFICATIONS

Wiring	T568A & T568B	
Insertion Force	20N max. (IEC 60603 - 7 - 4)	
Retention Strength	7.7 kgs between jack and plug	
Operating Temperature	- 10°C to + 60°C (ISO/ICE 11801, ANSI/TIA 568 C.2)	
Life (mating cycles)	Jack	750 cycles min. (ISO/IEC 11801, IEC 60603-7-4)
	IDC	Suitable for 22-26 AWG solid wire, compatible with both 110 and Krone punch down tools
Durability	The Cat5e transmission performance is in compliance with the ANSI/TIA/EIA 568 C.2 standard	

MEASUREMENT SPECIFICATIONS



To view Access' extensive ranges go to: www.accesscomms.com.au

Sydney (Head Office)
Brisbane Sales
Melbourne Office
Adelaide Office

Unit 1, 29 Prince William Drive, Seven Hills NSW 2147
28 The Gateway, Broadmeadows VIC 3047
71 Anzac Highway, Ashford SA 5035

Phone: (02) 9414 8888
Phone: (07) 3308 5555
Phone: (03) 9330 8333
Phone: (08) 8338 5540

sales@accesscomms.com.au
brisbane@accesscomms.com.au
melbourne@accesscomms.com.au
adelaide@accesscomms.com.au

Cat 5e IDC Data Jack

P4665

PRODUCT RANGE

SKU	COLOUR	TYPE	COMPATIBILITY	PACK
P4665-20	White	IDC Data Jack	Cat5e	20 Per Jar
P4665-50	White	IDC Data Jack	Cat5e	50 Per Jar
P4665BLK	Black	IDC Data Jack	Cat5e	10 Per Pack
P4665RED	Red	IDC Data Jack	Cat5e	10 Per Pack
P4665GRN	Green	IDC Data Jack	Cat5e	10 Per Pack
P4665YEL	Yellow	IDC Data Jack	Cat5e	10 Per Pack
P4665BLU	Blue	IDC Data Jack	Cat5e	10 Per Pack



To view Access' extensive ranges go to: www.accesscomms.com.au

Sydney (Head Office)
Brisbane Sales
Melbourne Office
Adelaide Office

Unit 1, 29 Prince William Drive, Seven Hills NSW 2147

28 The Gateway, Broadmeadows VIC 3047
 71 Anzac Highway, Ashford SA 5035

Phone: (02) 9414 8888
 Phone: (07) 3308 5555
 Phone: (03) 9330 8333
 Phone: (08) 8338 5540

sales@accesscomms.com.au
brisbane@accesscomms.com.au
melbourne@accesscomms.com.au
adelaide@accesscomms.com.au