

8P4C IDC Voice Jack White

P4664 Series



FEATURES

Our voice grade RJ45 8P4C IDC jack with 2 IDC connections per contact allowing easy loop-in, loop-out for typical voice applications.

Compatible with our P4600 series flush plates and most standard Australian flush plates.

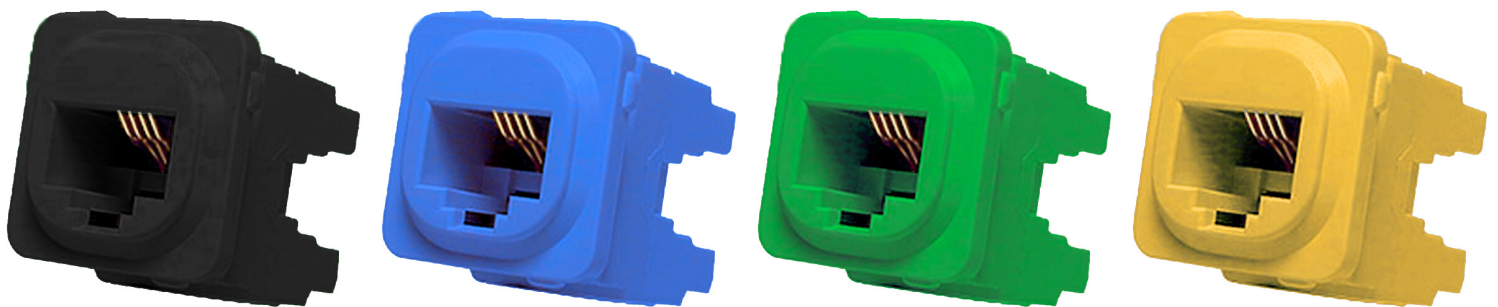
Also suits our P4611 Surface Boxes.

Rear termination with 110 or Krone IDC impact tool.

Available in individual Datamaster® zip-top bags or buckets of 50 pieces which include a bonus impact safety chassis for safe and speedy termination.

PRODUCT RANGE

| SKU | COLOUR | TYPE | COMPATIBILITY | PACK |
|-----------|--------|----------------|---------------|---------------|
| P4664-050 | White | IDC Voice Jack | 8P4C | 50 per Bucket |
| P4664BLK | Black | IDC Voice Jack | 8P4C | 50 per Bucket |
| P4664GRN | Green | IDC Voice Jack | 8P4C | 50 per Bucket |
| P4664YEL | Yellow | IDC Voice Jack | 8P4C | 50 per Bucket |
| P4664BLU | Blue | IDC Voice Jack | 8P4C | 50 per Bucket |



To view Access' extensive ranges go to: www.accesscomms.com.au

Sydney (Head Office)
Brisbane Office
Melbourne Office
Adelaide Office

33-35 Alleyne Street, Chatswood, NSW, 2067
28 The Gateway, Broadmeadows, VIC, 3047
71 Anzac Highway, Ashford, SA, 5035

Phone: (02) 9414 8888
Phone: (07) 3308 5555
Phone: (03) 9330 8333
Phone: (08) 8338 5540

Fax: (02) 9414 8800
Fax: (07) 3308 5500
Fax: (03) 9330 8330

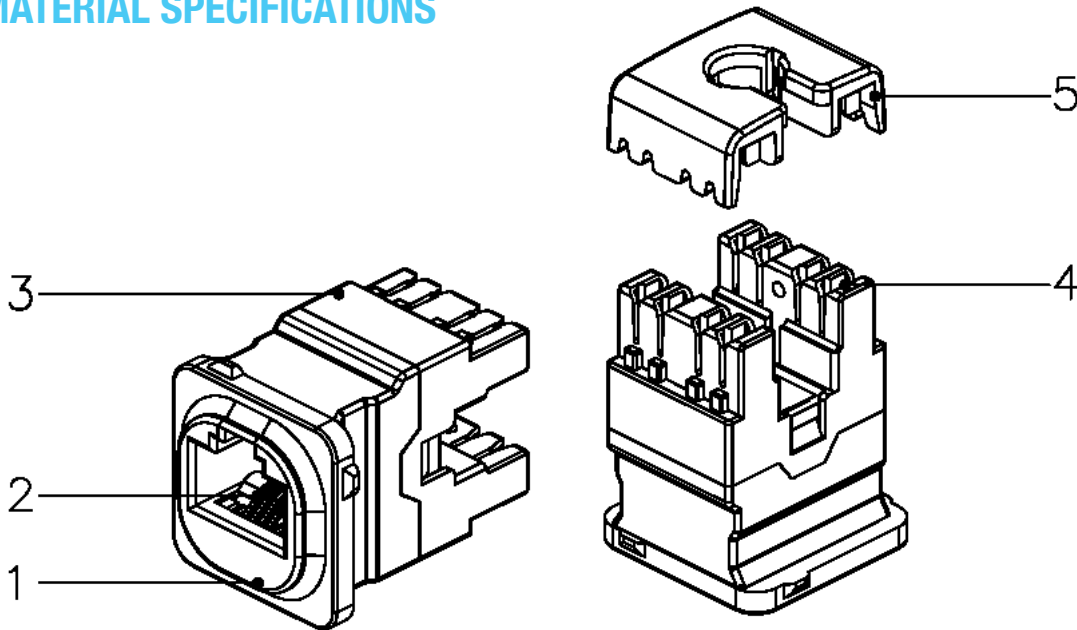
websales@accesscomms.com.au
brisbane@accesscomms.com.au
melbourne@accesscomms.com.au
adelaide@accesscomms.com.au

8P4C IDC Voice Jack White

P4664 Series



MATERIAL SPECIFICATIONS



| | | |
|----|---|---|
| 1. | RJ45 Jack | 1 - 1 Housing : ABS + PC, UL 94V-0, with optional colour painted |
| 2. | RJ45 Jack Contact | 2 - 1 Material : Phosphor Bronze 2 - 2 Contact Area : Min. 3mm 50 - micro-inch Gold Plated over Nickel Plated |
| 3. | IDC Housing | PC, UL 94V - 2 |
| 4. | IDC Terminal Material & Finished | 4 - 1 Phosphor Bronze with min. 50 micro - inch Tin Plated 4 - 2 Compatible with both 110 & Krone Punch Down Tools 4 - 3 Suitable for 22 - 26 AWG Stranded & Solid Wire |
| 5. | IDC CAP | ABS, UL 94V - 0 |

To view Access' extensive ranges go to: www.accesscomms.com.au

Sydney (Head Office)
Brisbane Office
Melbourne Office
Adelaide Office

33-35 Alleyne Street, Chatswood, NSW, 2067
28 The Gateway, Broadmeadows, VIC, 3047
71 Anzac Highway, Ashford, SA, 5035

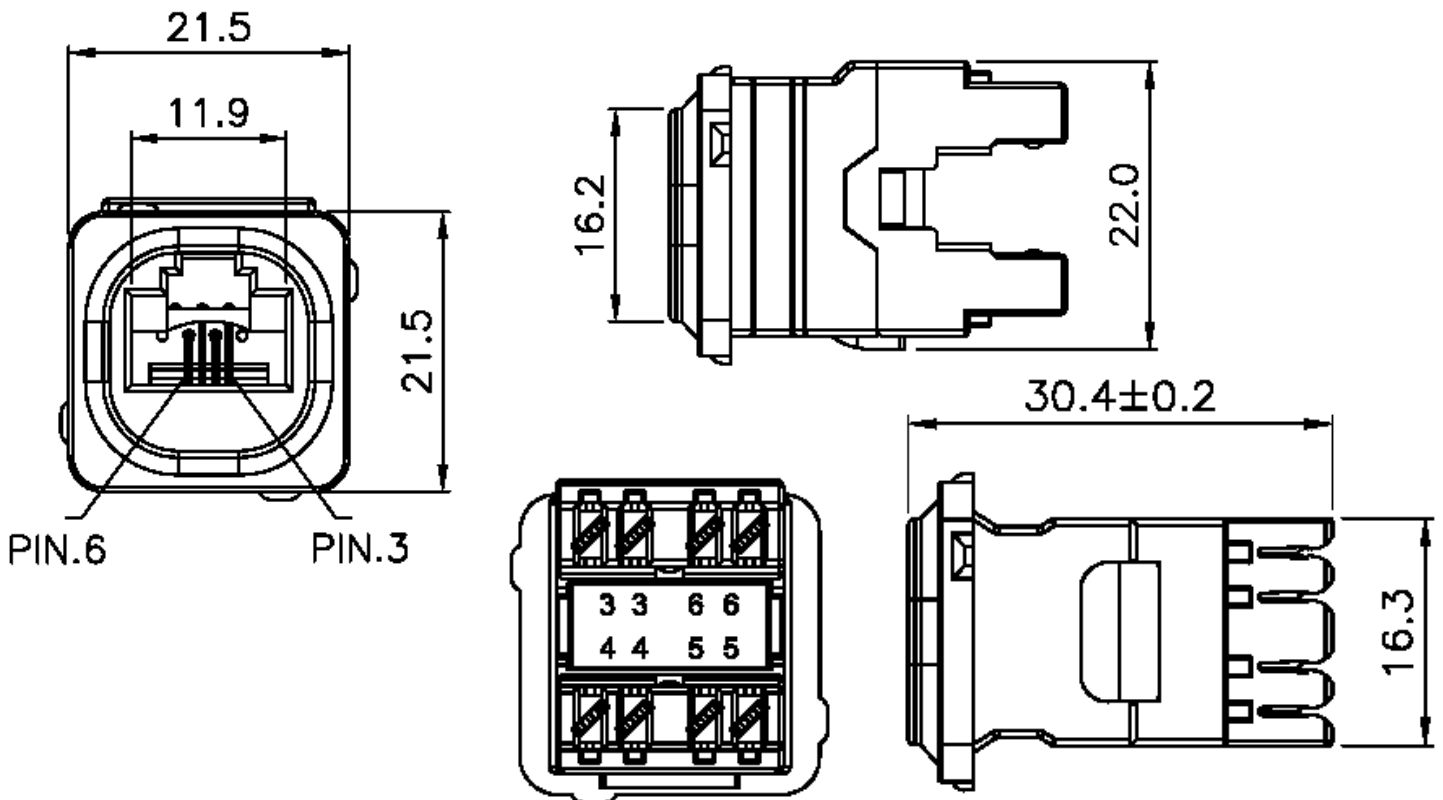
Phone: (02) 9414 8888
Phone: (07) 3308 5555
Phone: (03) 9330 8333
Phone: (08) 8338 5540

Fax: (02) 9414 8800
Fax: (07) 3308 5500
Fax: (03) 9330 8330

websales@accesscomms.com.au
brisbane@accesscomms.com.au
melbourne@accesscomms.com.au
adelaide@accesscomms.com.au

8P4C IDC Voice Jack White

P4664 Series



PERFORMANCE SPECIFICATIONS

| | |
|-----------------------|---|
| Wiring | T568A & T568B |
| Insertion Force | 900 gm for 8 contacts |
| Retention Strength | 7.7kg Between Jack & Plug |
| Operating Temperature | -10°C to 60°C (ISO/ICE 11801, ANSI/TIA 568 B.2) |
| Life (mating cycles) | Jack : 750 cycles min. (ISO/IEC 11801, IEC 60603-7-4) |
| | IDC : Suitable for 22-26 AWG solid wire, compatible with both 110 and Krone punch down tools. |
| Durability | Jack: 750 cycles Plug-Jack mating and unmating test, Insertion cycles at 20 cycles/minute max. Contact resistance test per 100 cycles |

To view Access' extensive ranges go to: www.accesscomms.com.au

Sydney (Head Office) 33-35 Alleyne Street, Chatswood, NSW, 2067
Brisbane Office
Melbourne Office 28 The Gateway, Broadmeadows, VIC, 3047
Adelaide Office 71 Anzac Highway, Ashford, SA, 5035

Phone: (02) 9414 8888
 Phone: (07) 3308 5555
 Phone: (03) 9330 8333
 Phone: (08) 8338 5540

Fax: (02) 9414 8800
 Fax: (07) 3308 5500
 Fax: (03) 9330 8330

websales@accesscomms.com.au
brisbane@accesscomms.com.au
melbourne@accesscomms.com.au
adelaide@accesscomms.com.au