

## 6P4C IDC Voice Jack White

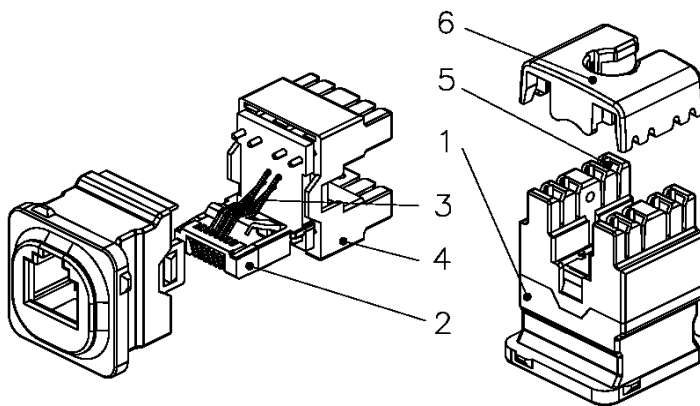
P4662WHI



### FEATURES

- Our 6P4C IDC jack for telephone applications.
- 2 IDC connections per contact allowing easy loop-in, loop-out for typical voice applications.
- Compatible with our P4600 series flush plates and most standard Australian flush plates.
- Also suits our P4611 Surface Boxes.
- Rear termination with 110 or Krone IDC impact tool.
- Available in individual Datamaster® zip-top bags or in reusable buckets of 50 pieces which include a bonus impact safety chassis for safe and speedy termination.

### MATERIAL SPECIFICATIONS



PART	DESCRIPTION
1	Plastic Housing ABS + PC UL 94V - 0
2	Jack Bracket Set Polycarbonate, UL94 - HB, Transparent Colour
3	RJ 45 Jack Contact Material & Finish
3-1	Phosphor Bronze 50-60µ" Nickel Plated
3-2	Contact Area: min 3mm 50µ" Gold Plated
4	IDC Housing PC +5% GF, UL 94V - 2
5	IDC Terminal Material
5-1	Phosphor Bronze 50 - 60µ" Tin Plated
5-2	110 & Krone Tool Compatible
5-3	Suitable for 22-26AWG stranded & solid Wire
6	IDC Cap ABS, UL 94V - 0

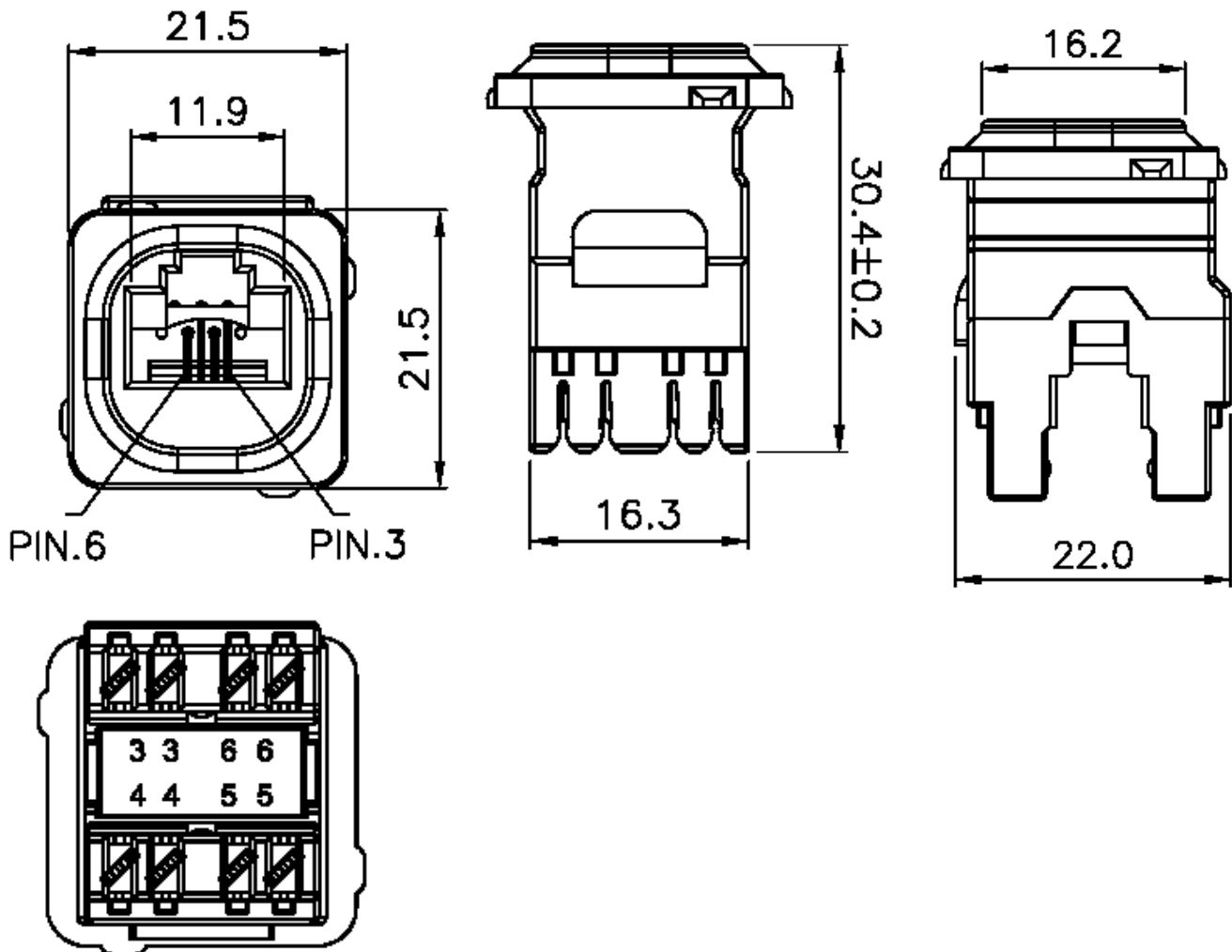
## 6P4C IDC Voice Jack White

P4662WHI

### PERFORMANCE SPECIFICATIONS

Insertion Force	900g for 8 contacts	
Retention Strength	7.7 kgs between jack and plug	
Operating Temperature	- 40°C to + 80°C	
Durability	Jack	750 cycles Plug - Jack mating and unmating test, insertion cycles at 20 cycles / minute max. Contact resistance test per 100 cycles.
	IDC	200 Max punch times

### MEASUREMENT SPECIFICATIONS



To view Access' extensive ranges go to: [www.accesscomms.com.au](http://www.accesscomms.com.au)

Sydney (Head Office)  
Brisbane Sales  
Melbourne Office  
Adelaide Office

Unit 1, 29 Prince William Drive, Seven Hills NSW 2147  
28 The Gateway, Broadmeadows VIC 3047  
71 Anzac Highway, Ashford SA 5035

Phone: (02) 9414 8888  
Phone: (07) 3308 5555  
Phone: (03) 9330 8333  
Phone: (08) 8338 5540

sales@accesscomms.com.au  
brisbane@accesscomms.com.au  
melbourne@accesscomms.com.au  
adelaide@accesscomms.com.au