

35mm Australian Mounting Block

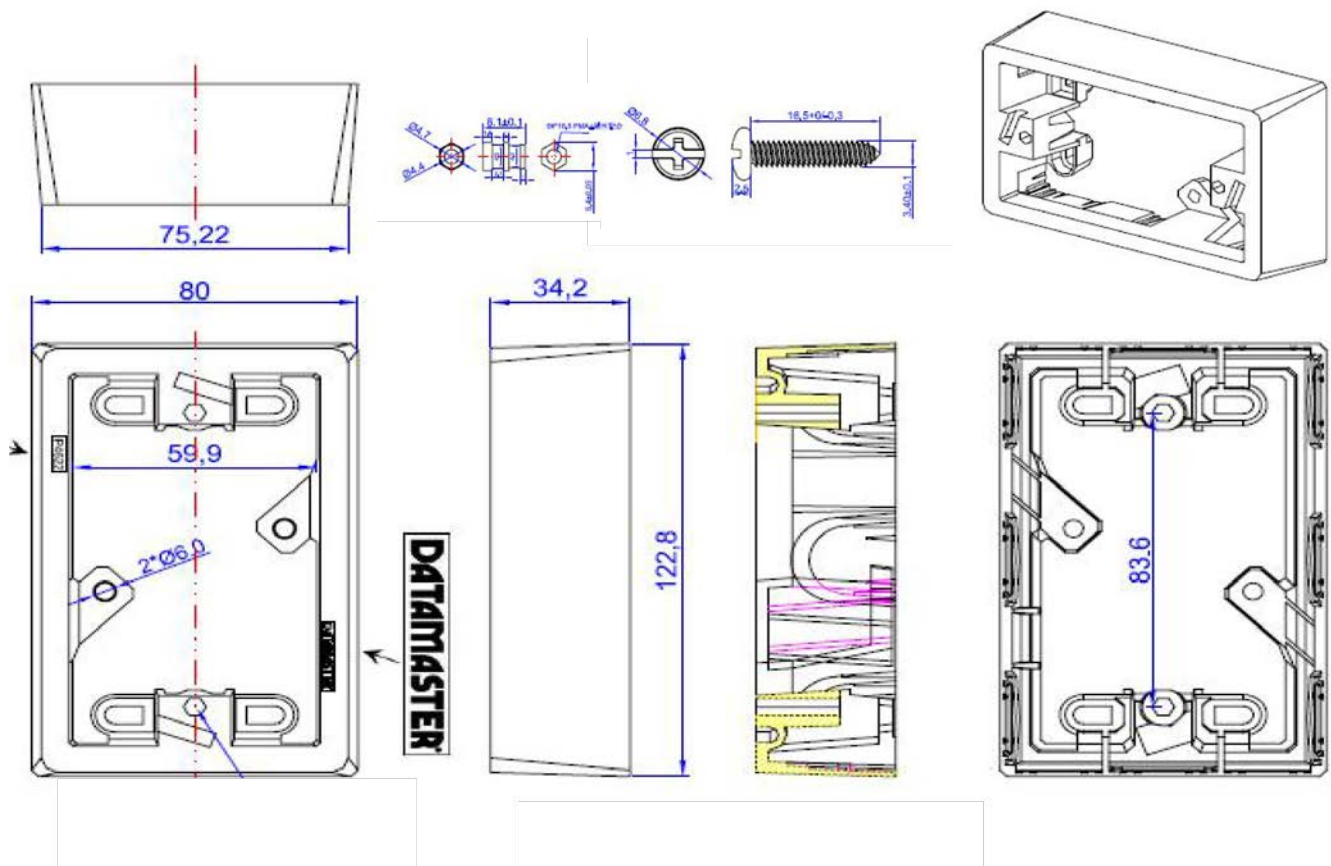
P4622WHI



FEATURES

- 35mm deep block for surface mounting standard Australian flush plates.
- Suits our P4600 series flush plates and most other standard Australian switch plates.
- Breakouts on all sides allow for cable or conduit entry.
- Supplied with screws for fitting flush plate.
- Dimensions 123(W) x 80(H) x 35(D)mm.

DESIGN & CONSTRUCTION



To view Access' extensive ranges go to: www.accesscomms.com.au

Sydney (Head Office)
Brisbane Sales
Melbourne Office
Adelaide Office

Unit 1, 29 Prince William Drive, Seven Hills NSW 2147
28 The Gateway, Broadmeadows VIC 3047
71 Anzac Highway, Ashford SA 5035

Phone: (02) 9414 8888
Phone: (07) 3308 5555
Phone: (03) 9330 8333
Phone: (08) 8338 5540

sales@accesscomms.com.au
brisbane@accesscomms.com.au
melbourne@accesscomms.com.au
adelaide@accesscomms.com.au