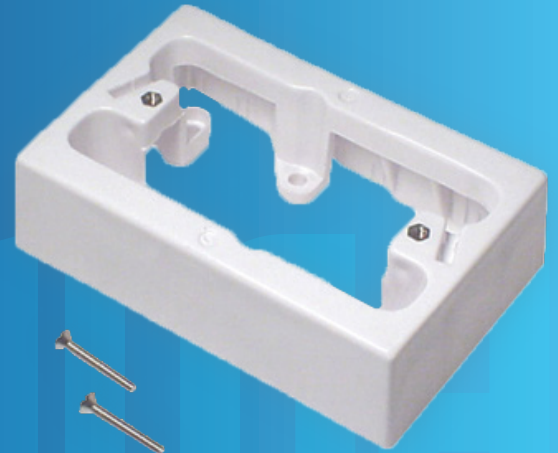


## 35mm Aust Mounting Block

P4622WHI



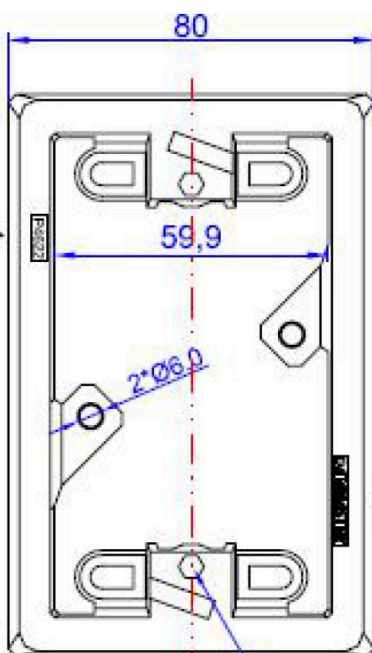
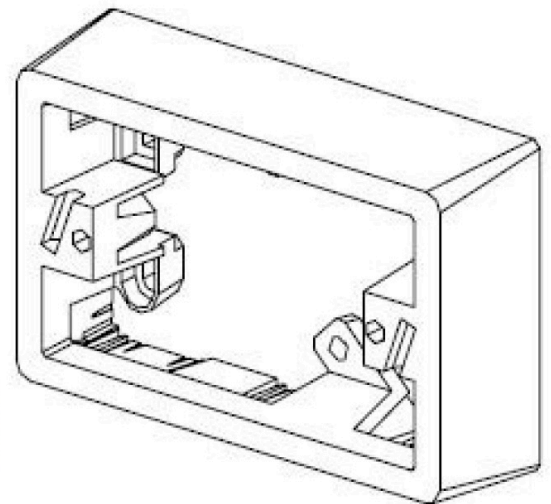
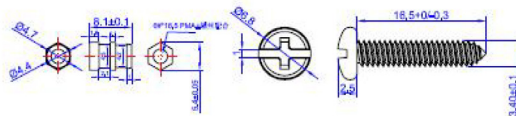
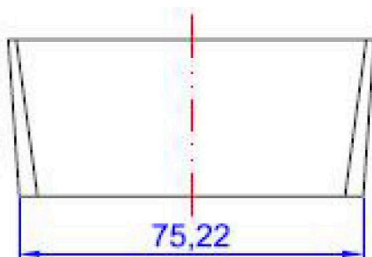
### FEATURES

35mm deep block for surface mounting standard Australian flush plates.  
Suits our P4600 series flush plates and most other standard Australian switch plates.  
Breakouts on all sides allow for cable or conduit entry. Supplied with screws for fitting flush plate.

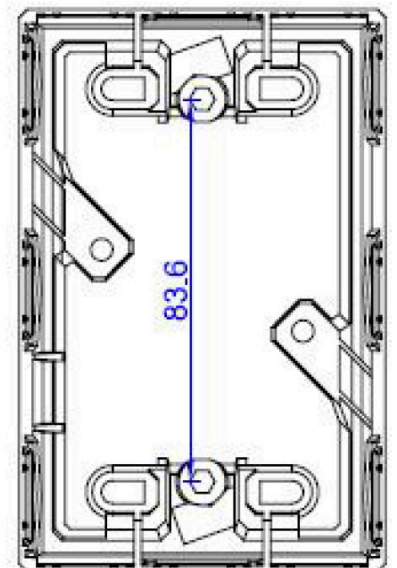
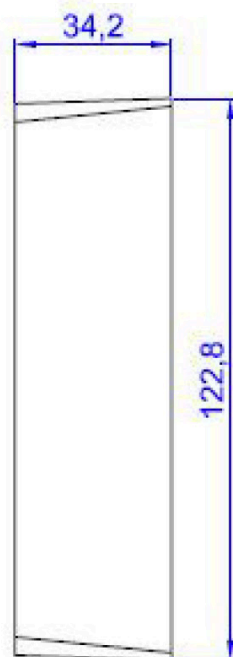
### DIMENSIONS

123(W)mm x 80(H)mm x 35(D)mm

### PRODUCTION DRAWING



**DATAMASTER**



To view Access' extensive ranges go to: [www.accesscomms.com.au](http://www.accesscomms.com.au)

Sydney (Head Office)  
Brisbane Office  
Melbourne Office  
Adelaide Office

Unit 1, 29 Prince William Drive, Seven Hills NSW, 2147  
28 The Gateway, Broadmeadows, VIC, 3047  
71 Anzac Highway, Ashford, SA, 5035

Phone: (02) 9414 8888  
Phone: (07) 3308 5555  
Phone: (03) 9330 8333  
Phone: (08) 8338 5540

Fax: (02) 9414 8800  
Fax: (07) 3308 5500  
Fax: (03) 9330 8330

[websales@accesscomms.com.au](mailto:websales@accesscomms.com.au)  
[brisbane@accesscomms.com.au](mailto:brisbane@accesscomms.com.au)  
[melbourne@accesscomms.com.au](mailto:melbourne@accesscomms.com.au)  
[adelaide@accesscomms.com.au](mailto:adelaide@accesscomms.com.au)