

## Single Surface Box Suites P4600 Series Jacks

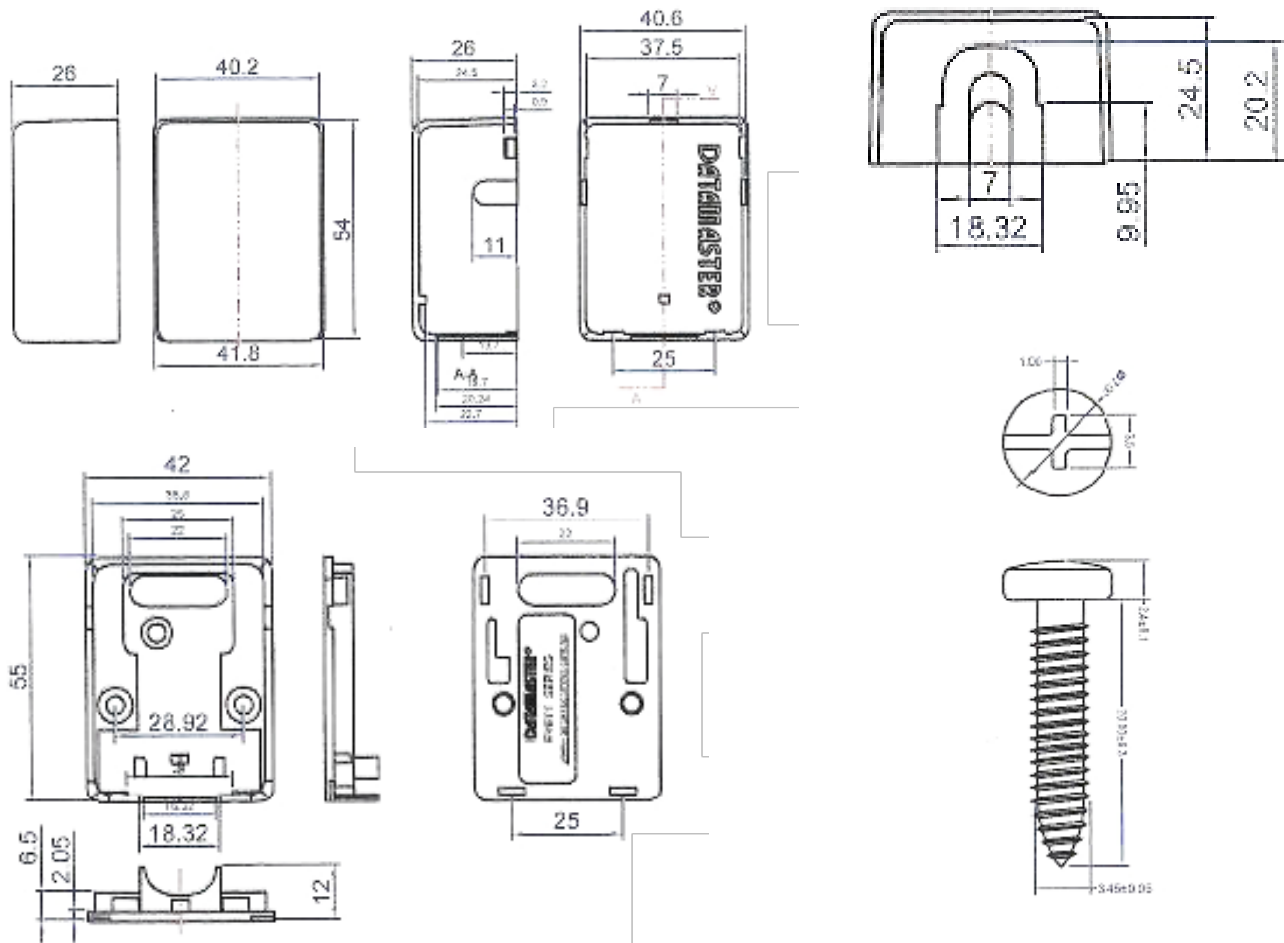
P4611WHI



### FEATURES

Side entry surface mount boxes to accept our P4600 series Telephone, Voice, Cat-5E, Cat-6 and Mode-3 IDC Jacks. Single and double versions available. Snap-on cover for easy installation and access to wiring. Cable entry knock-outs on 3 sides and rear align with old 600 series telephone sockets for easy upgrades. Compatible with our P8620 self-adhesive backing plates and P8630 stacking adaptors for fast installation. The standard colour is white. Supplied unloaded (without jacks) in Datamaster® zip-top bags. Dimensions 42 (W) x 55 (H) x 28 (D)mm.

### DESIGN & CONSTRUCTION



To view Access' extensive ranges go to: [www.accesscomms.com.au](http://www.accesscomms.com.au)

Sydney (Head Office)  
Brisbane Sales  
Melbourne Office  
Adelaide Office

Unit 1, 29 Prince William Drive, Seven Hills NSW 2147  
28 The Gateway, Broadmeadows VIC 3047  
71 Anzac Highway, Ashford SA 5035

Phone: (02) 9414 8888  
Phone: (07) 3308 5555  
Phone: (03) 9330 8333  
Phone: (08) 8338 5540

sales@accesscomms.com.au  
brisbane@accesscomms.com.au  
melbourne@accesscomms.com.au  
adelaide@accesscomms.com.au