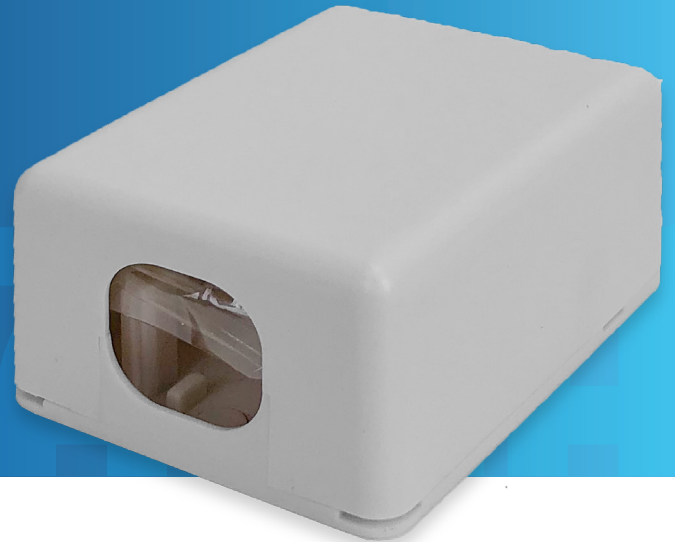


Single Surface Box Suits P4600 Series Jacks

P4611WHI



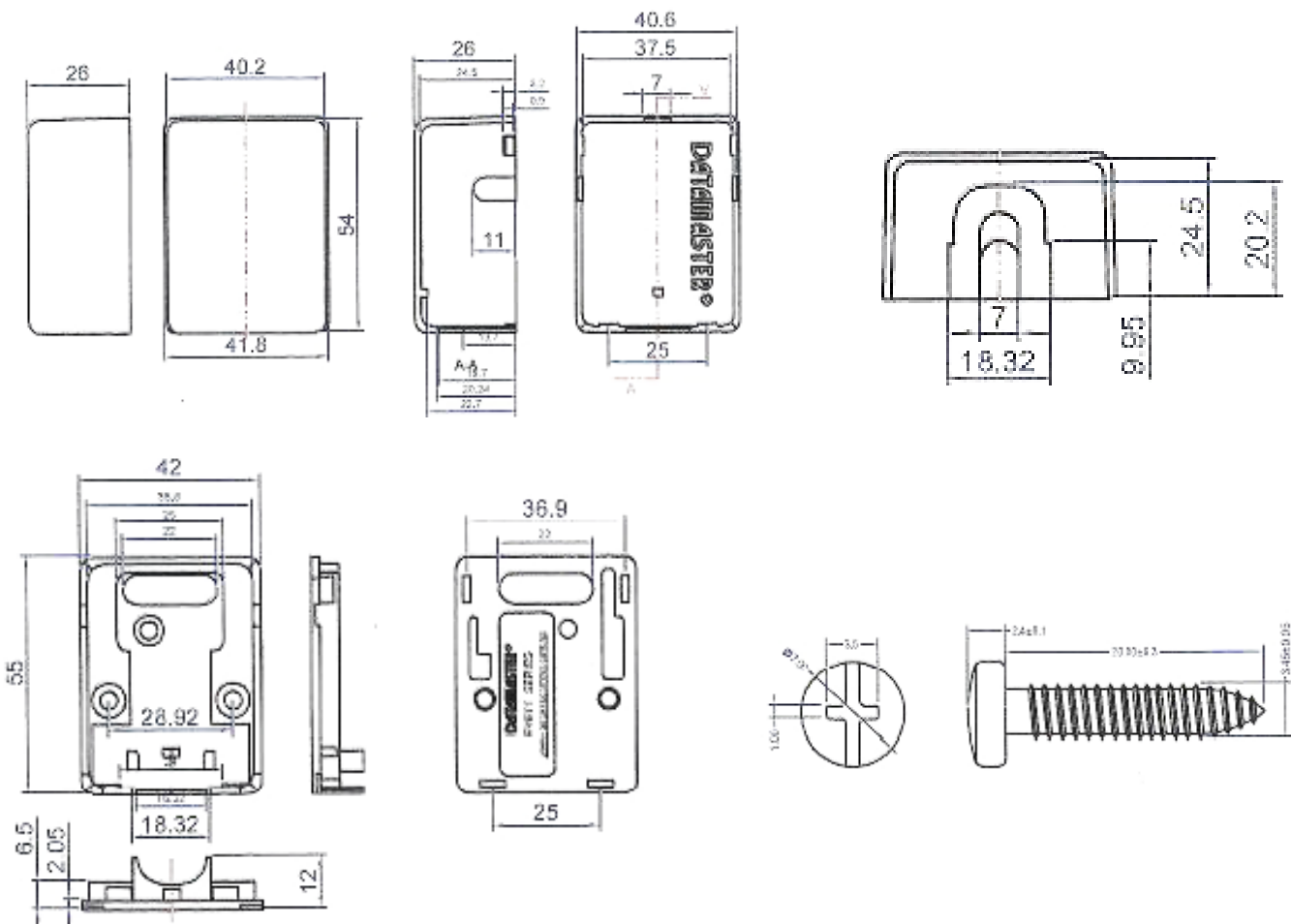
FEATURES

Side entry surface mount boxes to accept our P4600 series Telephone, Voice, Cat-5E, Cat-6 and Mode-3 IDC Jacks. Single and double versions available. Snap-on cover for easy installation and access to wiring. Cable entry knock-outs on 3 sides and rear align with old 600 series telephone sockets for easy upgrades. Compatible with our P8620 self-adhesive backing plates and P8630 stacking adaptors for fast installation. The standard colour is white. Supplied unloaded (without jacks) in Datamaster® zip-top bags.

DIMENSIONS

42(W) x 55(H) x 28(D)mm

PRODUCTION DRAWING



To view Access' extensive ranges go to: www.accesscomms.com.au

Sydney (Head Office)
Brisbane Office
Melbourne Office
Adelaide Office

33-35 Alleyne Street, Chatswood, NSW, 2067
28 The Gateway, Broadmeadows, VIC, 3047
71 Anzac Highway, Ashford, SA, 5035

Phone: (02) 9414 8888
Phone: (07) 3308 5555
Phone: (03) 9330 8333
Phone: (08) 8338 5540

Fax: (02) 9414 8800
Fax: (07) 3308 5500
Fax: (03) 9330 8330

websales@accesscomms.com.au
brisbane@accesscomms.com.au
melbourne@accesscomms.com.au
adelaide@accesscomms.com.au