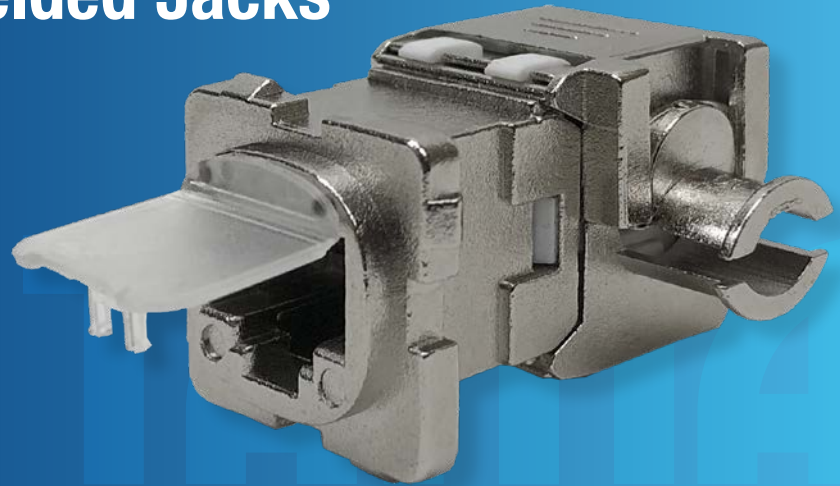


RJ45 Toolless Shielded Jacks

P4517, P4519, P4520



FEATURES

Datamaster Category 6A shielded field outlets offer superior performance and protection against the potential effects of ANEXT and EMI. An essential element of Datamaster's CAT6A F/UTP solution, our range offers rear or side entry termination and are readily interoperable with industry standard Clipsal and HPM wall plates without the need for bezel interfaces. Designed as a toolless termination there are no vendor-proprietary tools required to be purchased thereby reducing project and contractor costs on projects and improving both time and ease of installation. The toolless termination ensures an evenness of pressure across all pairs on termination thereby delivering improved performance. Offering the mechanical protection of a dust cap on the face of the jack, these outlets comply with project/site specifications requiring the jack to have a physical barrier protecting the outlet from ingress.

- Cat6A Shielded Connectors
- Easy Toolless Termination
- These jacks enable simple installations without requiring a punch down tool
- Ideal simpler solution for Network Cable Termination

Applications:

- 10GBase-T Gigabit Ethernet
- 1000BASE-T Gigabit Ethernet
- 100BASE-TX Fast Ethernet
- 10BASE-T Ethernet
- Voice, Video and other applications

PHYSICAL FEATURES

PART NUMBER	DESCRIPTION	SPECIFICATIONS	UNIT	PACKAGING	COLOUR
P4517	CAT6A FTP Toolless RJ45 Jack, 568A - Side Entry	ISO : 11801 / AS3080, S008, ROHS, UL	1	Hang Sell Bag, Bags of 10	Metal
P4519	CAT6A FTP Toolless RJ45 Jack, 568A - Rear Entry	ISO : 11801 / AS3080, S008, ROHS, UL	1	Hang Sell Bag, Bags of 10	Metal
P4520	CAT6A FTP Keystone Toolless RJ45 Jack, 568A	ISO : 11801 / AS3080, S008, ROHS, UL	1	Hang Sell Bag, Bags of 10	Metal

To view Access' extensive ranges go to: www.accesscomms.com.au

Sydney (Head Office)
Brisbane Sales
Melbourne Office
Adelaide Office

Unit 1, 29 Prince William Drive, Seven Hills NSW 2147
28 The Gateway, Broadmeadows VIC 3047
71 Anzac Highway, Ashford SA 5035

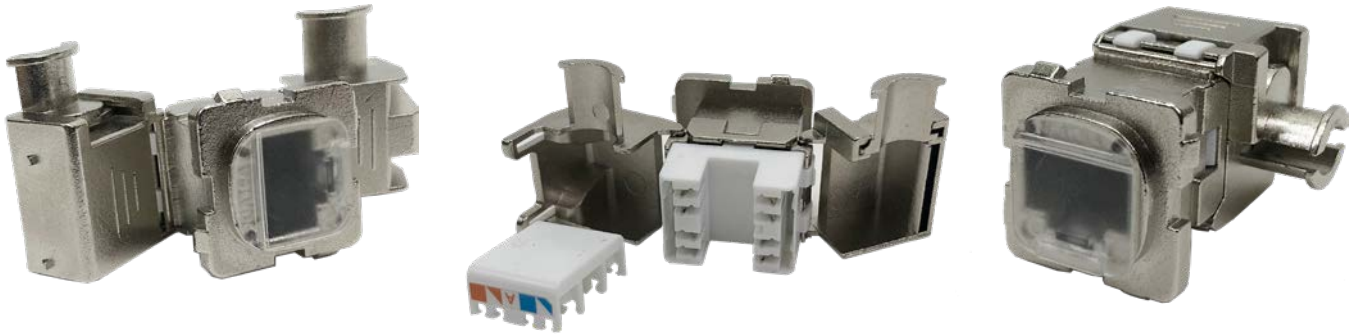
Phone: (02) 9414 8888
Phone: (07) 3308 5555
Phone: (03) 9330 8333
Phone: (08) 8338 5540

sales@accesscomms.com.au
brisbane@accesscomms.com.au
melbourne@accesscomms.com.au
adelaide@accesscomms.com.au

RJ45 Toolless Shielded Jacks

P4517, P4519, P4520

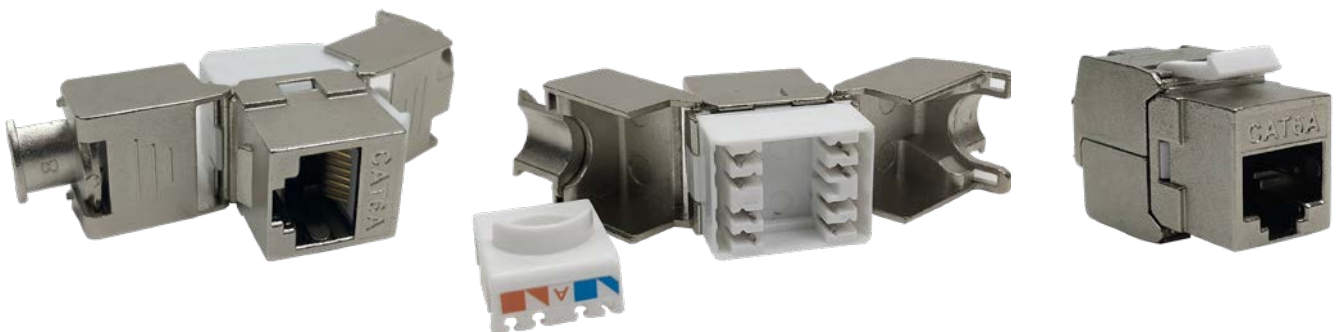
/// P4517 SIDE ENTRY



/// P4519 REAR ENTRY



/// P4520 KEYSTONE REAR ENTRY



To view Access' extensive ranges go to: www.accesscomms.com.au

Sydney (Head Office)
Brisbane Sales
Melbourne Office
Adelaide Office

Unit 1, 29 Prince William Drive, Seven Hills NSW 2147

28 The Gateway, Broadmeadows VIC 3047
71 Anzac Highway, Ashford SA 5035

Phone: (02) 9414 8888
Phone: (07) 3308 5555
Phone: (03) 9330 8333
Phone: (08) 8338 5540

sales@accesscomms.com.au
brisbane@accesscomms.com.au
melbourne@accesscomms.com.au
adelaide@accesscomms.com.au

RJ45 Toolless Shielded Jacks

P4517, P4519, P4520

PHYSICAL FEATURES - P4517

Body Material	Housing : PC
	Body : Zinc Die - Casting
Jack Contact	Phosphor Bronze, 6-50 μ inch gold plated over nickel
IDC Contacts	100 μ inch nickel plated over phosphor bronze
PCB	FR-4, UL94V-0
Shielded Cover	50~60 μ inch nickel plated over zinc alloy

ELECTRICAL CHARACTERISTICS

Dielectric Strength	1000V RMS for 1 min
Current Rating	1.5Amp Max
Insulation Resistance	10M Ω Min
Contact Resistance	2m Ω Per Contact
Temperature Range	-10°C to 60°C
Humidity	10% ~ 90% ; non-condensing
Insertion Life	>2000 mating cycles
IDC Accept	22 - 26 AWG Solid Cable



To view Access' extensive ranges go to: www.accesscomms.com.au

Sydney (Head Office)
Brisbane Sales
Melbourne Office
Adelaide Office

Unit 1, 29 Prince William Drive, Seven Hills NSW 2147
 28 The Gateway, Broadmeadows VIC 3047
 71 Anzac Highway, Ashford SA 5035

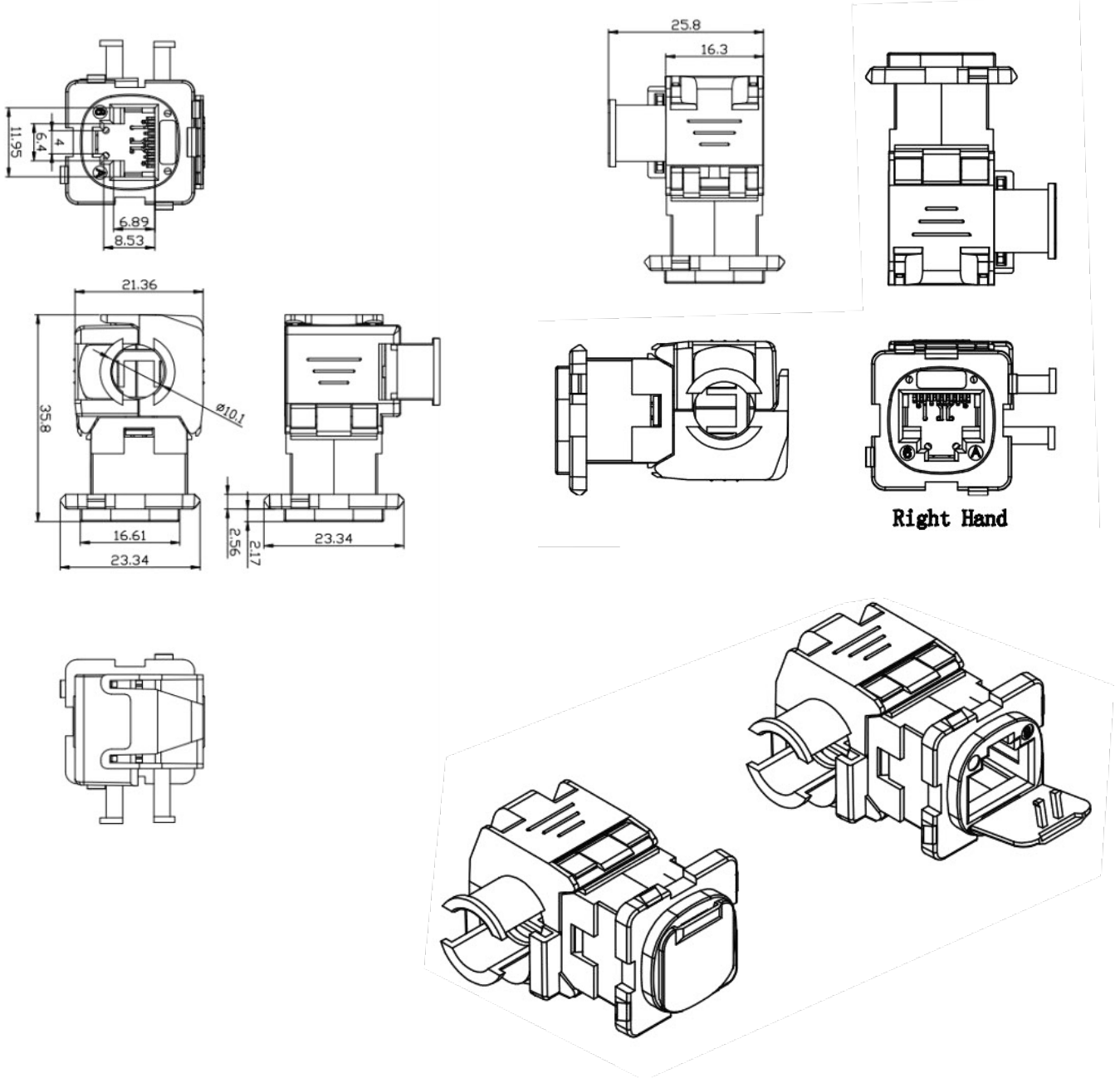
Phone: (02) 9414 8888
 Phone: (07) 3308 5555
 Phone: (03) 9330 8333
 Phone: (08) 8338 5540

sales@accesscomms.com.au
brisbane@accesscomms.com.au
melbourne@accesscomms.com.au
adelaide@accesscomms.com.au

RJ45 Toolless Shielded Jacks

P4517, P4519, P4520

DESIGN & CONSTRUCTION



To view Access' extensive ranges go to: www.accesscomms.com.au

Sydney (Head Office)
Brisbane Sales
Melbourne Office
Adelaide Office

Unit 1, 29 Prince William Drive, Seven Hills NSW 2147

28 The Gateway, Broadmeadows VIC 3047
71 Anzac Highway, Ashford SA 5035

Phone: (02) 9414 8888
Phone: (07) 3308 5555
Phone: (03) 9330 8333
Phone: (08) 8338 5540

sales@accesscomms.com.au
brisbane@accesscomms.com.au
melbourne@accesscomms.com.au
adelaide@accesscomms.com.au

RJ45 Toolless Shielded Jacks

P4517, P4519, P4520

PHYSICAL FEATURES P4519

Body Material	Housing : PC
	Body : Zinc Die - Casting
Jack Contact	Phosphor Bronze, 6-50 μ inch gold plated over nickel
IDC Contacts	100 μ inch nickel plated over phosphor bronze
PCB	FR-4, UL94V-0
Shielded Cover	50~60 μ inch nickel plated over zinc alloy

ELECTRICAL CHARACTERISTICS

Dielectric Strength	1000V RMS for 1 min
Current Rating	1.5Amp Max
Insulation Resistance	10M Ω Min
Contact Resistance	2m Ω Per Contact
Temperature Range	-10°C to 60°C
Humidity	10% ~ 90% ; non-condensing
Insertion Life	>2000 mating cycles
IDC Accept	22 - 26 AWG Solid Cable



To view Access' extensive ranges go to: www.accesscomms.com.au

Sydney (Head Office)
Brisbane Sales
Melbourne Office
Adelaide Office

Unit 1, 29 Prince William Drive, Seven Hills NSW 2147
 28 The Gateway, Broadmeadows VIC 3047
 71 Anzac Highway, Ashford SA 5035

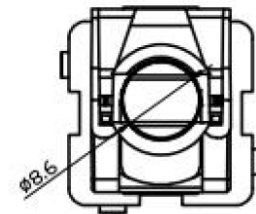
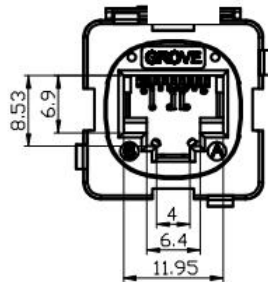
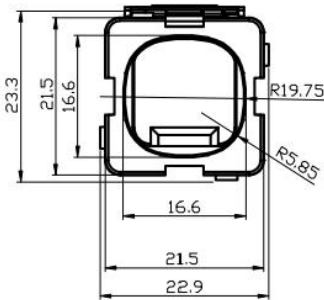
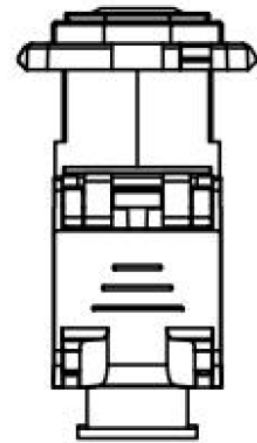
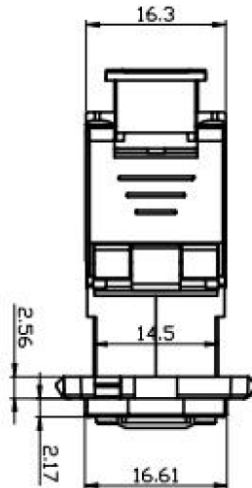
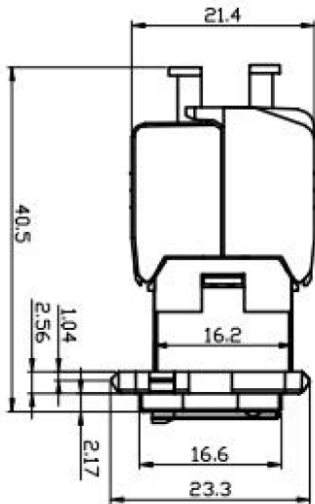
Phone: (02) 9414 8888
 Phone: (07) 3308 5555
 Phone: (03) 9330 8333
 Phone: (08) 8338 5540

sales@accesscomms.com.au
brisbane@accesscomms.com.au
melbourne@accesscomms.com.au
adelaide@accesscomms.com.au

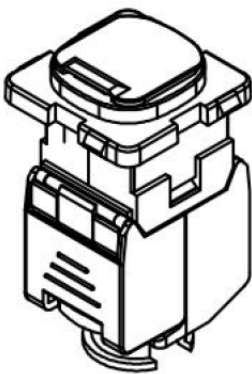
RJ45 Toolless Shielded Jacks

P4517, P4519, P4520

DESIGN & CONSTRUCTION



RJ45



To view Access' extensive ranges go to: www.accesscomms.com.au

Sydney (Head Office)
Brisbane Sales
Melbourne Office
Adelaide Office

Unit 1, 29 Prince William Drive, Seven Hills NSW 2147

28 The Gateway, Broadmeadows VIC 3047
71 Anzac Highway, Ashford SA 5035

Phone: (02) 9414 8888
Phone: (07) 3308 5555
Phone: (03) 9330 8333
Phone: (08) 8338 5540

sales@accesscomms.com.au
brisbane@accesscomms.com.au
melbourne@accesscomms.com.au
adelaide@accesscomms.com.au

RJ45 Toolless Shielded Jacks

P4517, P4519, P4520

PHYSICAL FEATURES P4520

Body Material	Housing : PC
	Body : Zinc Die - Casting
Jack Contact	Phosphor Bronze, 6-50 μ inch gold plated over nickel
IDC Contacts	100 μ inch nickel plated over phosphor bronze
PCB	FR-4, UL94V-0

ELECTRICAL CHARACTERISTICS

Dielectric Strength	1000V RMS for 1 min
Current Rating	1.5Amp Max
Insulation Resistance	10M Ω Min
Contact Resistance	2m Ω Per Contact
Temperature Range	-10°C to 60°C
Humidity	10% ~ 90% ; non-condensing
Insertion Life	>2000 mating cycles
IDC Accept	22 - 26 AWG Solid Cable



To view Access' extensive ranges go to: www.accesscomms.com.au

Sydney (Head Office)
Brisbane Sales
Melbourne Office
Adelaide Office

Unit 1, 29 Prince William Drive, Seven Hills NSW 2147
 28 The Gateway, Broadmeadows VIC 3047
 71 Anzac Highway, Ashford SA 5035

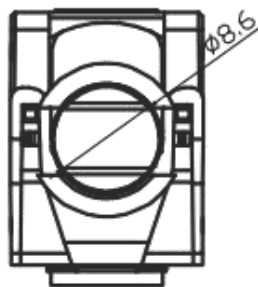
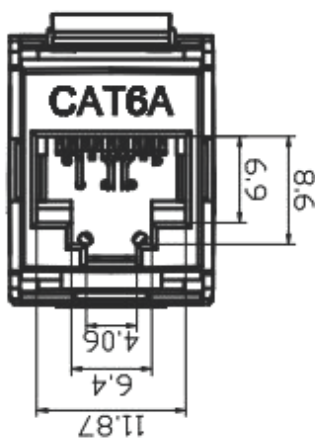
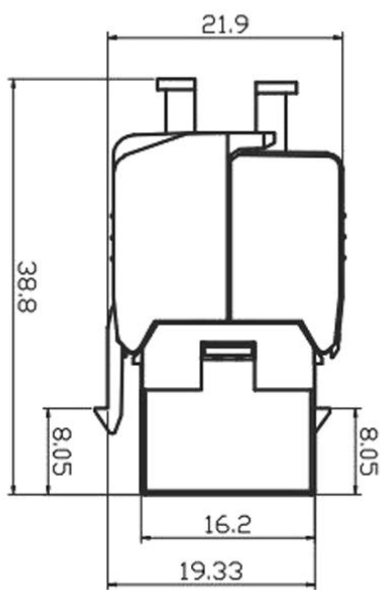
Phone: (02) 9414 8888
 Phone: (07) 3308 5555
 Phone: (03) 9330 8333
 Phone: (08) 8338 5540

sales@accesscomms.com.au
brisbane@accesscomms.com.au
melbourne@accesscomms.com.au
adelaide@accesscomms.com.au

RJ45 Toolless Shielded Jacks

P4517, P4519, P4520

DESIGN & CONSTRUCTION



To view Access' extensive ranges go to: www.accesscomms.com.au

Sydney (Head Office)
Brisbane Sales
Melbourne Office
Adelaide Office

Unit 1, 29 Prince William Drive, Seven Hills NSW 2147

28 The Gateway, Broadmeadows VIC 3047
71 Anzac Highway, Ashford SA 5035

Phone: (02) 9414 8888
Phone: (07) 3308 5555
Phone: (03) 9330 8333
Phone: (08) 8338 5540

sales@accesscomms.com.au
brisbane@accesscomms.com.au
melbourne@accesscomms.com.au
adelaide@accesscomms.com.au