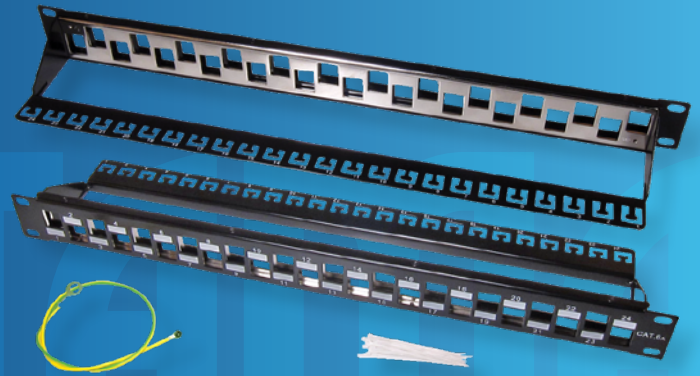


## 24-Port 1RU Keystone Panel Unloaded Suits

P4124-06A

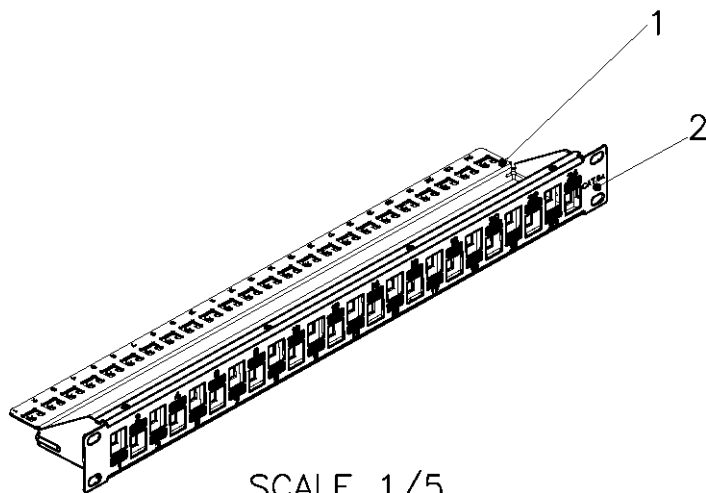


### FEATURES

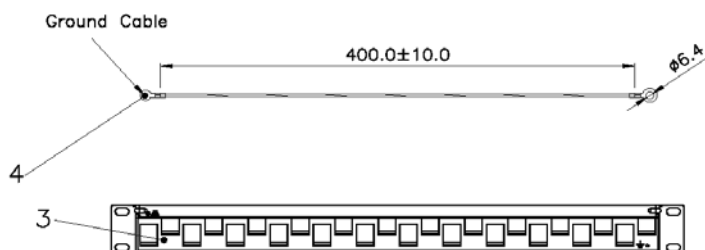
Datamaster 24-Port 1RU Unloaded Keystone Patch Panel, ideal for Cat6A

- Staggered panel face and rear cable support bar for improved cable management
- Compatible with Cat-6A shielded keystone jacks
- Suits all Datamaster Keystone Jacks
- Suits both Cat5e and Cat6
- Suits all Datamaster Cat5E and Cat6 Snap in couplers
- Suits all Datamaster Keystone Inserts, including BNC connectors, HDMI & F-Type
- Ideal for Multimedia Networks

### MATERIAL SPECIFICATIONS



PART	DESCRIPTION
1	Support bar SPCC 1.5mm thickness with black (RAL9005) painted colour
2	Top case SPCC 1.5mm thickness with black (RAL9005) painted colour
3	Base case SPCC 1.5mm thickness 5 ~ 8 μm nickel plater
4	Ground cable 18 AWG wire, with green/yellow striped colour length 40cm



To view Access' extensive ranges go to: [www.accesscomms.com.au](http://www.accesscomms.com.au)

Sydney (Head Office)  
Brisbane Sales  
Melbourne Office  
Adelaide Office

Unit 1, 29 Prince William Drive, Seven Hills NSW 2147  
28 The Gateway, Broadmeadows VIC 3047  
71 Anzac Highway, Ashford SA 5035

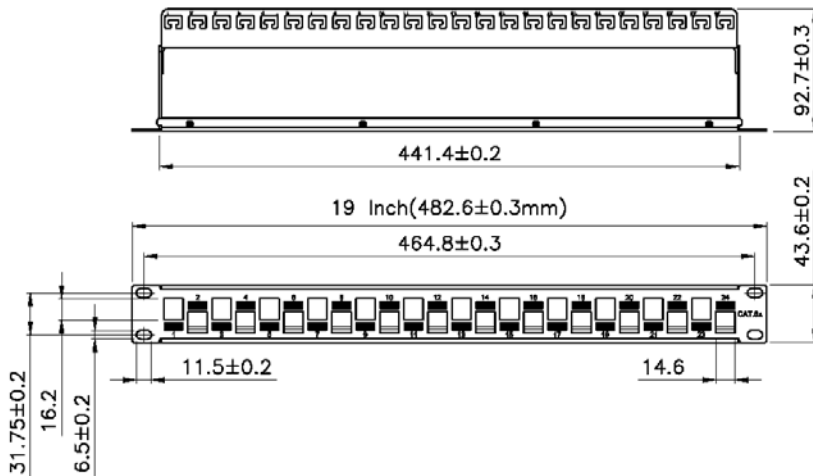
Phone: (02) 9414 8888  
Phone: (07) 3308 5555  
Phone: (03) 9330 8333  
Phone: (08) 8338 5540

sales@accesscomms.com.au  
brisbane@accesscomms.com.au  
melbourne@accesscomms.com.au  
adelaide@accesscomms.com.au

## 24-Port 1RU Keystone Panel Unloaded Suits

P4124-06A

### MEASUREMENT SPECIFICATIONS



To view Access' extensive ranges go to: [www.accesscomms.com.au](http://www.accesscomms.com.au)

**Sydney (Head Office)**  
**Brisbane Sales**  
**Melbourne Office**  
**Adelaide Office**

Unit 1, 29 Prince William Drive, Seven Hills NSW 2147

28 The Gateway, Broadmeadows VIC 3047  
71 Anzac Highway, Ashford SA 5035

Phone: (02) 9414 8888  
Phone: (07) 3308 5555  
Phone: (03) 9330 8333  
Phone: (08) 8338 5540

[sales@accesscomms.com.au](mailto:sales@accesscomms.com.au)  
[brisbane@accesscomms.com.au](mailto:brisbane@accesscomms.com.au)  
[melbourne@accesscomms.com.au](mailto:melbourne@accesscomms.com.au)  
[adelaide@accesscomms.com.au](mailto:adelaide@accesscomms.com.au)