

## Cat6 48 Port 2RU High Density Patch Panel with integrated rear cable management loops ; P4050



### DESCRIPTION

The transmission characteristics of our patch panels meet the requirements of Cat5e and Cat6 ISO1180, S008, ROHS and UL specifications. These panels utilise PCB technology to balance signal transmission and provide low insertion loss, return loss and crosstalk. The IDC terminal block can be used with both Krone and 110 impact tools and has combined T568A & T568B colour coding for easy installation. Design incorporates nylon loops for cable management. An optional cable support bar is available to suit our 24-port panels.

- Datamaster Cat6 Patch Panel with integrated rear Cable Management loops.
- The transmission characteristics of Datamaster' patch panels meet the requirements of Cat6 ISO1180, S008, ROHS and UL specifications.
- Using PCB technology to balance signal transmission and provide low insertion loss, return loss and crosstalk.
- The IDC terminal block can be used with both Krone and 110 impact tools and has combined T568A & T568B colour coding for easy installation.
- Design incorporates nylon loops for cable management.
- Also Available in: 1RU & 2RU sizes.
- 12-port, 24-port, 48-port capacity.
- An optional cable support bar is available to suit our 24-port panels item #P4226.

### FEATURES

<b>Insertion Force</b>	900g
<b>Retention Strength</b>	7.7 kgs between jack & plug
<b>Operating Temperature</b>	- 40 °C to + 80 °C
<b>Durability</b>	Jack - 750 plug/jack mating cycles IDC - 200 max punch times
<b>Compliance</b>	Cat-6 performance in compliance with ANSI/TIA/EIA 568 B.2-1 standard

To view Access' extensive ranges go to: [www.accesscomms.com.au](http://www.accesscomms.com.au)

**Sydney (Head Office)**  
**Brisbane Office**  
**Melbourne Office**  
**Adelaide Office**

33-35 Alleyne Street, Chatswood, NSW, 2067  
28 The Gateway, Broadmeadows, VIC, 3047  
71 Znac Highway, Ashford, SA, 5035

Phone: (02) 9414 8888  
Phone: (07) 3308 5555  
Phone: (03) 9330 8333  
Phone: (08) 8338 5540

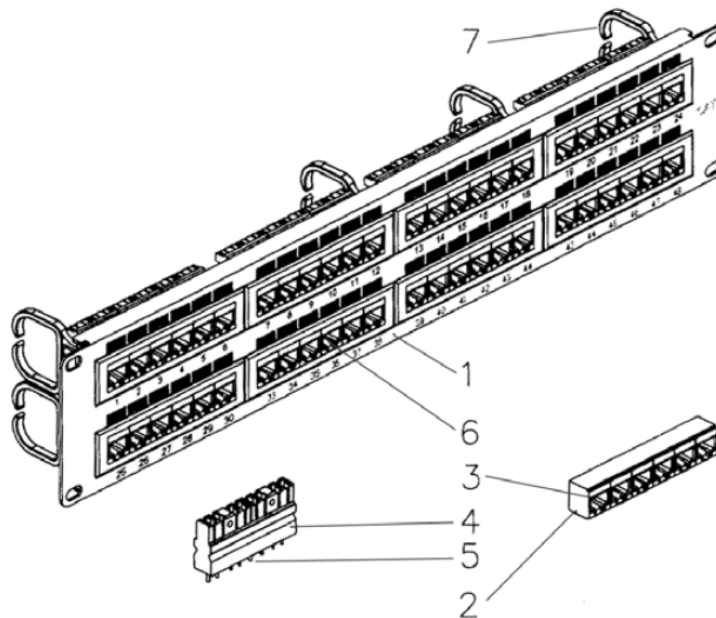
Fax: (02) 9414 8800  
Fax: (07) 3308 5500  
Fax: (03) 9330 8330  
Mob: 0438 245 116

[websales@accesscomms.com.au](mailto:websales@accesscomms.com.au)  
[brisbane@accesscomms.com.au](mailto:brisbane@accesscomms.com.au)  
[melbourne@accesscomms.com.au](mailto:melbourne@accesscomms.com.au)  
[adelaide@accesscomms.com.au](mailto:adelaide@accesscomms.com.au)

## Cat6 48 Port 2RU High Density Patch Panel with integrated rear cable management loops ; P4050



### LINE DRAWING



### MATERIALS

1	Panel	SPCC 1.5mm thick black colour
2	Jack Housing	ABS, UL 94V-0
3	Jack Contact	
3-1		Phosphor Bronze 50-60 $\mu$ m Nickel Plated
3-2		Contact area: min 3mm 50 $\mu$ m Gold Plated
4	IDC Housing	PC +5% GF, UL 94V-2
5	IDC Terminal	
5-1		Phosphor Bronze 50-60 $\mu$ m Tin Plated
5-2		110 & Krone Tool Compatible
5-3		Suitable for 22-26AWG stranded & solid wire
6	Jack Bracket Set	ABS, UL 94V-0
7	Cable Holder	PA6

To view Access' extensive ranges go to: [www.accesscomms.com.au](http://www.accesscomms.com.au)

**Sydney (Head Office)**  
**Brisbane Office**  
**Melbourne Office**  
**Adelaide Office**

33-35 Alleyne Street, Chatswood, NSW, 2067  
 28 The Gateway, Broadmeadows, VIC, 3047  
 71 Anzac Highway, Ashford, SA, 5035

Phone: (02) 9414 8888  
 Phone: (07) 3308 5555  
 Phone: (03) 9330 8333  
 Phone: (08) 8338 5540

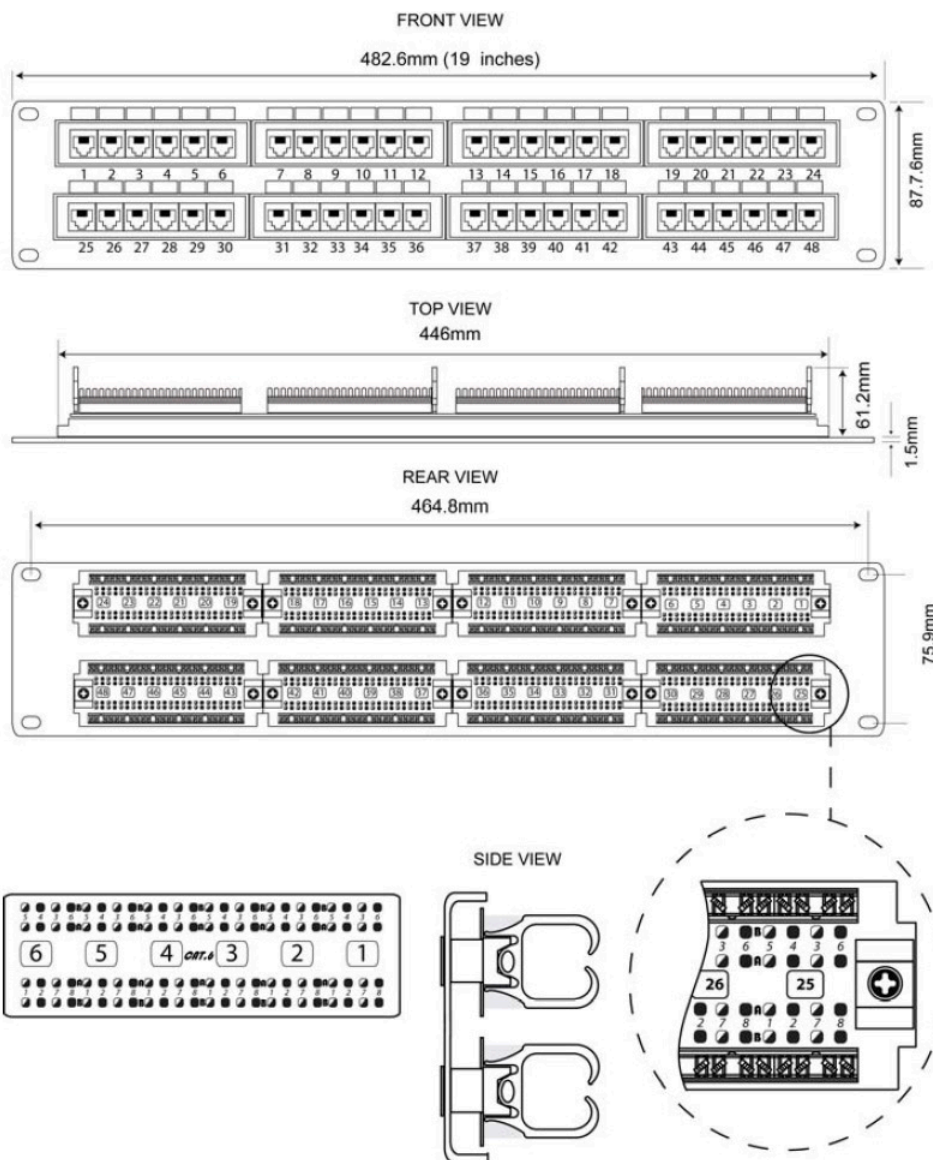
Fax: (02) 9414 8800  
 Fax: (07) 3308 5500  
 Fax: (03) 9330 8330  
 Mob: 0438 245 116

[websales@accesscomms.com.au](mailto:websales@accesscomms.com.au)  
[brisbane@accesscomms.com.au](mailto:brisbane@accesscomms.com.au)  
[melbourne@accesscomms.com.au](mailto:melbourne@accesscomms.com.au)  
[adelaide@accesscomms.com.au](mailto:adelaide@accesscomms.com.au)

## Cat6 48 Port 2RU High Density Patch Panel with integrated rear cable management loops ; P4050



### CONSTRUCTION DRAWING



### WIRING CONFIGURATION

	T568A	T568B
PIN 5	BLUE / WHITE	BLUE / WHITE
PIN 4	BLUE	BLUE
PIN 1	GREEN / WHITE	ORANGE / WHITE
PIN 2	GREEN	ORANGE
PIN 3	ORANGE /	GREEN / WHITE
PIN 6	ORANGE	GREEN
PIN 7	BROWN / WHITE	BROWN / WHITE
PIN 8	BROWN	BROWN

To view Access' extensive ranges go to: [www.accesscomms.com.au](http://www.accesscomms.com.au)

**Sydney (Head Office)** 33-35 Alleyne Street, Chatswood, NSW, 2067  
**Brisbane Office**  
**Melbourne Office** 28 The Gateway, Broadmeadows, VIC, 3047  
**Adelaide Office** 71 Znac Highway, Ashford, SA, 5035

Phone: (02) 9414 8888  
 Phone: (07) 3308 5555  
 Phone: (03) 9330 8333  
 Phone: (08) 8338 5540

Fax: (02) 9414 8800  
 Fax: (07) 3308 5500  
 Fax: (03) 9330 8330  
 Mob: 0438 245 116

[websales@accesscomms.com.au](mailto:websales@accesscomms.com.au)  
[brisbane@accesscomms.com.au](mailto:brisbane@accesscomms.com.au)  
[melbourne@accesscomms.com.au](mailto:melbourne@accesscomms.com.au)  
[adelaide@accesscomms.com.au](mailto:adelaide@accesscomms.com.au)