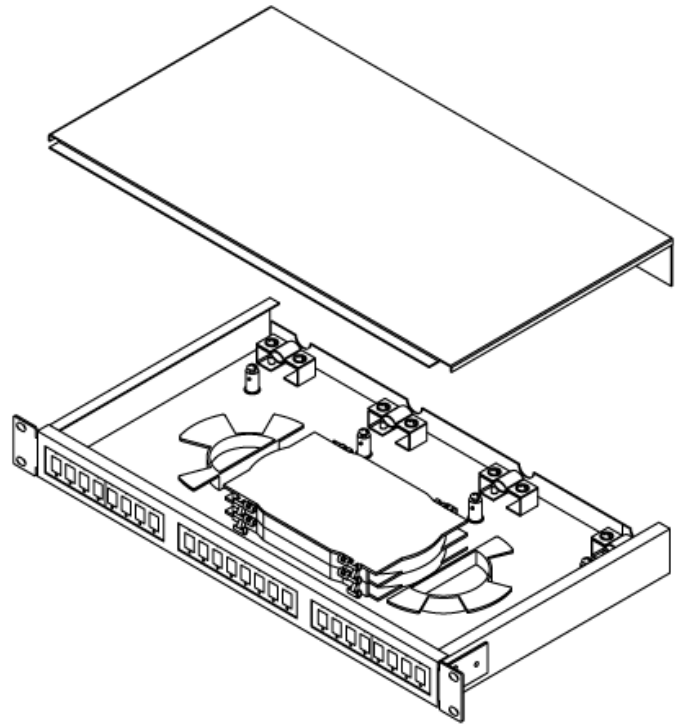
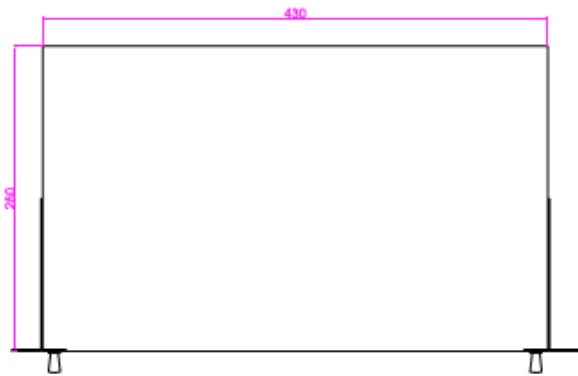


Product Code: **P4030010**
 Fibre Fixed Patch Panel 24P Port with 24 LC OM4 Duplex Adaptor



1. Panel: 1.0mm/SPCC with Black color painting
2. Packing: Each patch panel packed in one Neutral box and 5*3cm lable stick on the left cornor,No any printing on the box

DESIGNED	Material	SPCC	TITLE:
CHECKED	Rev		
APPROVAL	Scale 1/1	SHEET 1/1	P/N: APP01
DWG NO	Unit MM		