

Cat-6 Keystone Coupler

P2363-B60

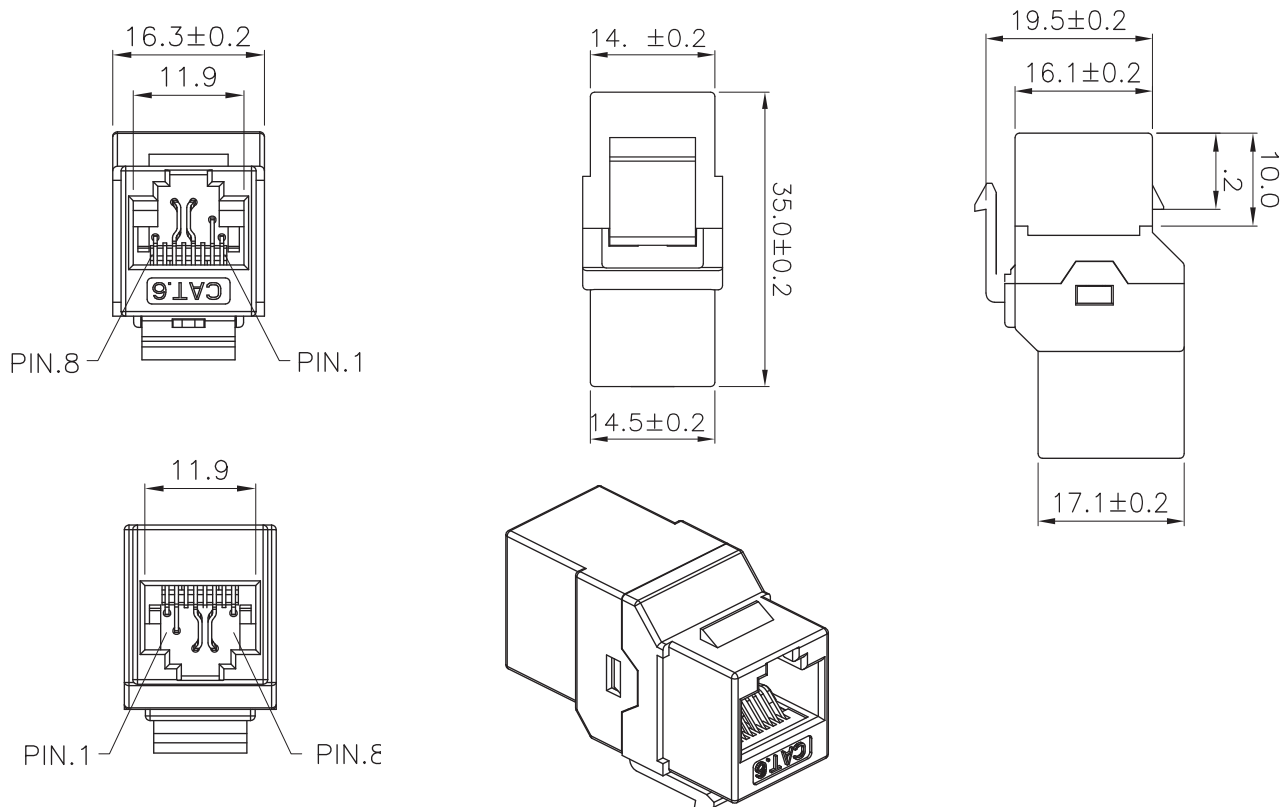


FEATURES

Cat-6 coupler for use with Keystone patch panels, and flush plates. Allows ready-made Cat-6 patch cords to be used in fixed installations eliminating the use of IDC terminations and tools. Can also be fitted to Australian HPM or Clipsal wall-plates by using an adaptor. The 1-1 wiring configuration is compatible with both T568A and T568B wiring schemes.

CAT#	TYPE	CONDUCTOR TYPE	QUANTITY	PACKAGING
P2363-B60	8P8C	Solid & Stranded	100 Pieces	Jar

DESIGN & CONSTRUCTION



To view Access' extensive ranges go to: www.accesscomms.com.au

Sydney (Head Office)
Brisbane Sales
Melbourne Office
Adelaide Office

Unit 1, 29 Prince William Drive, Seven Hills NSW 2147
28 The Gateway, Broadmeadows VIC 3047
71 Anzac Highway, Ashford SA 5035

Phone: (02) 9414 8888
Phone: (07) 3308 5555
Phone: (03) 9330 8333
Phone: (08) 8338 5540

sales@accesscomms.com.au
brisbane@accesscomms.com.au
melbourne@accesscomms.com.au
adelaide@accesscomms.com.au

Cat-6 Keystone Coupler

P2363-B60

MATERIAL SPECIFICATIONS - RJ45 JACK

Housing	ABS+PC, UL 94V-0
Colour	Black
Contact Bracket	PC, UL 94V-2

MATERIAL SPECIFICATIONS - RJ45 CONTACT

Housing	Phosphor bronze with nickel plated
Colour	50 micro-inch gold plated on plug contact area
Contact Bracket	FR4, UL 94V-0

PERFORMANCE

Insertion Force	20N max. (IEC 60603-7-4)
Retention Strength	7.7kg between jack and plug
Operating Temperature	-10°C to 60°C (ISO/IEC 11801, ANSI/TIA/EIA 568 C.2)
Life (Mating Cycles)	750 cycles min. (ISO/IEC 11801, IEC 60603-7-4)

The Cat.6 transmission performance is in compliance with the ANSI/TIA/EIA 568 C.2 standard