

CAT6A RJ45 WATERPROOF COUPLER P2328



FEATURES

- Cat6a RJ45 Waterproof Inline Coupler used to join two Cat6a cables together easily.
- Simple assembly to implement connector into existing cabling system.



ELECTRICAL

Voltage Rating	125 VAC RMS
Current Rating	1.5 AMP
Contact Resistance	100Milli Ω Max
Insulation Resistance	1000Meg Ω Min @500 VDC
Dielectric Strength	750 VAC RMS 60Hz 1MIN

TOLERANCE

0.00-20.00	± 0.10
20.00-50.00	± 0.15
50.00-100.00	± 0.20
100.00	± 0.25
ANGLE	± 0.30

MECHANICAL

Housing Material	PA66
Insert Material	Flame Retardant
PCB Material	FR - 4 T = 1.6mm
RJ45 Jack Contact	Phosphor Bronze with Nickel Plating gold plated (50U)
RJ45 Jack Life	750 x Insertion Cycle
Waterproof Grade	IP68

ENVIRONMENTAL

Storage	-40°C to +85°C
Operation	0° to 70°

To view Access' extensive ranges go to: www.accesscomms.com.au

Sydney (Head Office) 33-35 Alleyne Street, Chatswood, NSW, 2067
Brisbane Office
Melbourne Office 28 The Gateway, Broadmeadows, VIC, 3047
Adelaide Office 71 Anzac Highway, Ashford, SA, 5035

Phone: (02) 9414 8888
 Phone: (07) 3308 5555
 Phone: (03) 9330 8333
 Phone: (08) 8338 5540

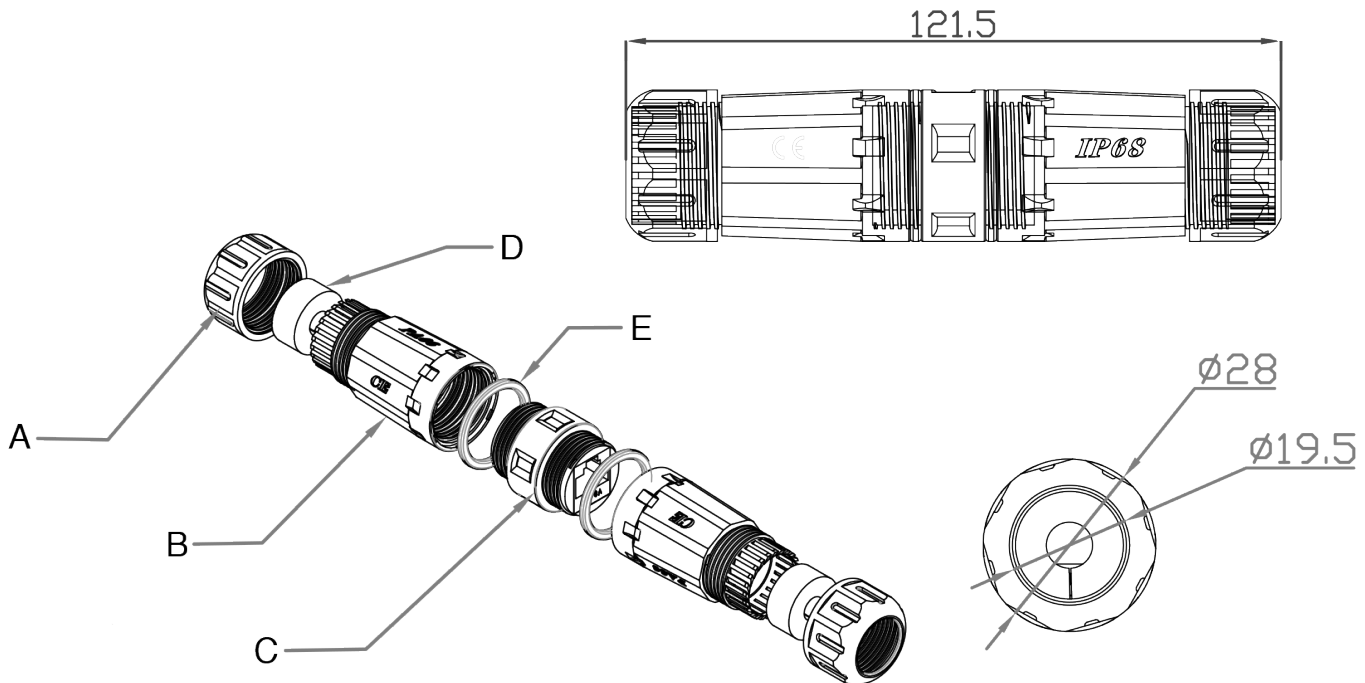
Fax: (02) 9414 8800
 Fax: (07) 3308 5500
 Fax: (03) 9330 8330
 Mob: 0438 245 116

websales@accesscomms.com.au
brisbane@accesscomms.com.au
melbourne@accesscomms.com.au
adelaide@accesscomms.com.au

CAT6A RJ45 WATERPROOF COUPLER P2328



DESIGN & CONSTRUCTION



ITEM	DESCRIPTION
A	Tail Cover
B	Long Middle Cover
C	Network Subject
D	Rubber Ring
E	Silicone Ring



REGULATORY COMPLIANCE



To view Access' extensive ranges go to: www.accesscomms.com.au

Sydney (Head Office)
Brisbane Office
Melbourne Office
Adelaide Office

33-35 Alleyne Street, Chatswood, NSW, 2067
 28 The Gateway, Broadmeadows, VIC, 3047
 71 Anzac Highway, Ashford, SA, 5035

Phone: (02) 9414 8888
 Phone: (07) 3308 5555
 Phone: (03) 9330 8333
 Phone: (08) 8338 5540

Fax: (02) 9414 8800
 Fax: (07) 3308 5500
 Fax: (03) 9330 8330
 Mob: 0438 245 116

websales@accesscomms.com.au
brisbane@accesscomms.com.au
melbourne@accesscomms.com.au
adelaide@accesscomms.com.au