

Cat6 In-Line Punch

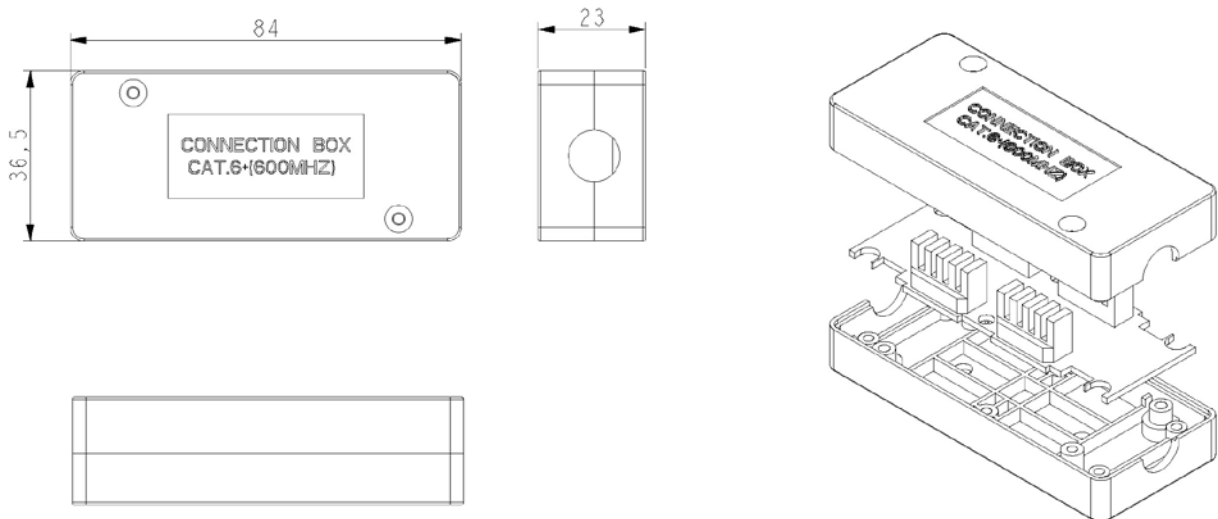
P2327



FEATURES

- The inline punch is used to connect and create a bridge between two cables requiring no termination
- Provides a means to eliminate connectivity problems which could occur during voice & data installations
- Used to join two solid cables to extend existing cable run to a new location
- Can be utilised in permanent installations
- Inline Coupler Punch down is a surface mounted Cat6 coupler block with punchdown terminals

DESIGN & CONSTRUCTION



To view Access' extensive ranges go to: www.accesscomms.com.au

Sydney (Head Office)
Brisbane Sales
Melbourne Office
Adelaide Office

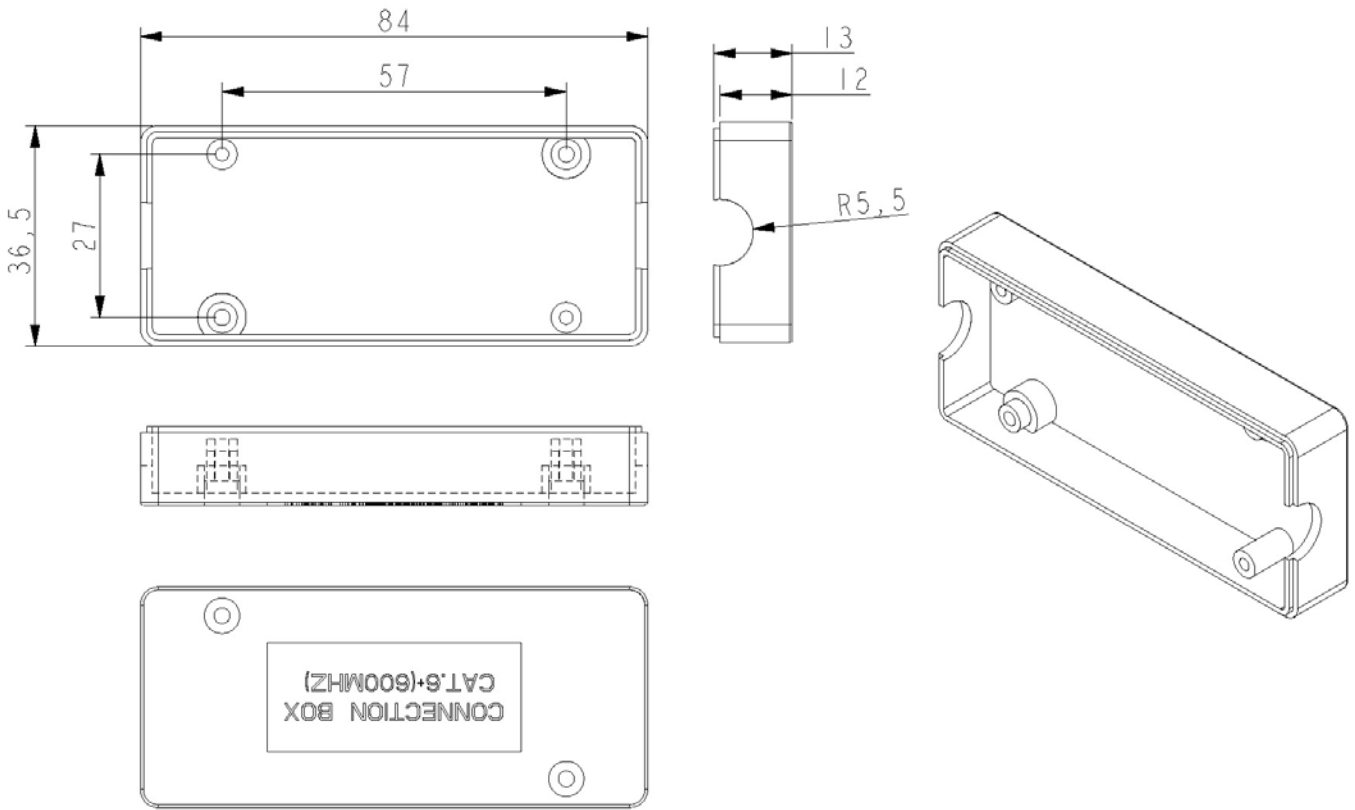
Unit 1, 29 Prince William Drive, Seven Hills NSW 2147
28 The Gateway, Broadmeadows VIC 3047
71 Anzac Highway, Ashford SA 5035

Phone: (02) 9414 8888
Phone: (07) 3308 5555
Phone: (03) 9330 8333
Phone: (08) 8338 5540

sales@accesscomms.com.au
brisbane@accesscomms.com.au
melbourne@accesscomms.com.au
adelaide@accesscomms.com.au

Cat6 In-Line Punch

P2327



To view Access' extensive ranges go to: www.accesscomms.com.au

Sydney (Head Office)
Brisbane Sales
Melbourne Office
Adelaide Office

Unit 1, 29 Prince William Drive, Seven Hills NSW 2147

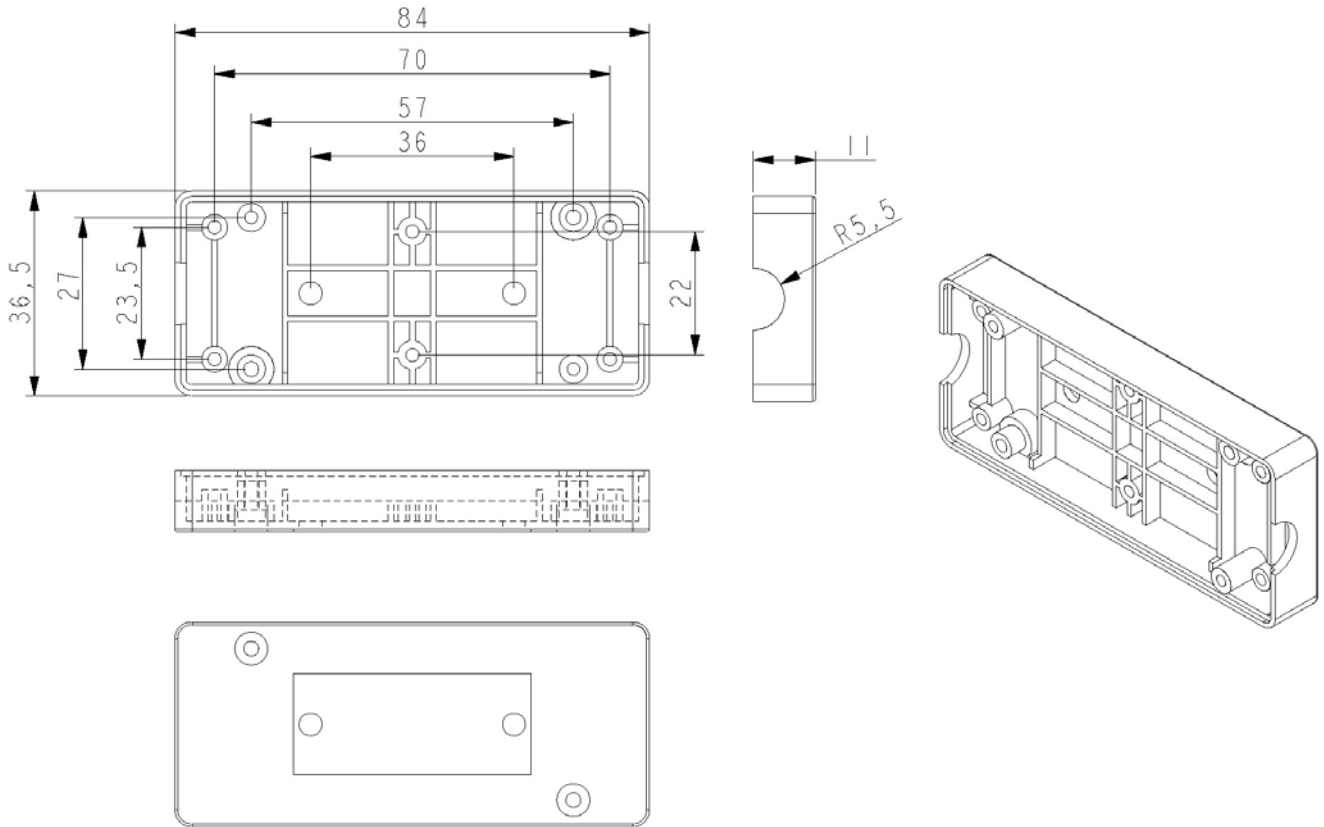
28 The Gateway, Broadmeadows VIC 3047
71 Anzac Highway, Ashford SA 5035

Phone: (02) 9414 8888
Phone: (07) 3308 5555
Phone: (03) 9330 8333
Phone: (08) 8338 5540

sales@accesscomms.com.au
brisbane@accesscomms.com.au
melbourne@accesscomms.com.au
adelaide@accesscomms.com.au

Cat6 In-Line Punch

P2327



To view Access' extensive ranges go to: www.accesscomms.com.au

Sydney (Head Office)
Brisbane Sales
Melbourne Office
Adelaide Office

Unit 1, 29 Prince William Drive, Seven Hills NSW 2147

28 The Gateway, Broadmeadows VIC 3047
71 Anzac Highway, Ashford SA 5035

Phone: (02) 9414 8888
Phone: (07) 3308 5555
Phone: (03) 9330 8333
Phone: (08) 8338 5540

sales@accesscomms.com.au
brisbane@accesscomms.com.au
melbourne@accesscomms.com.au
adelaide@accesscomms.com.au

Cat6 In-Line Punch

P2327

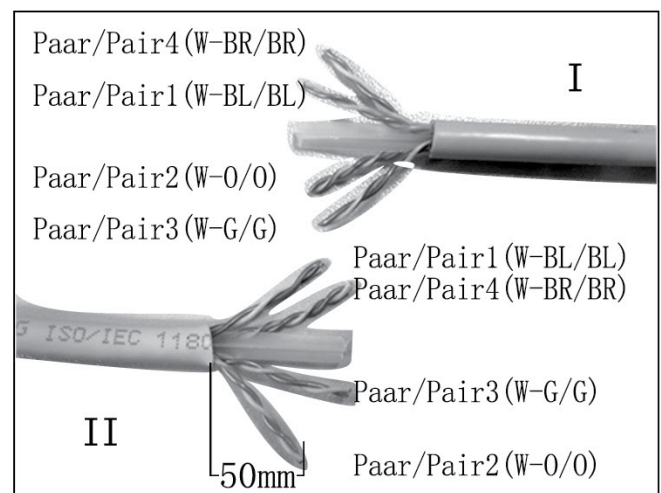
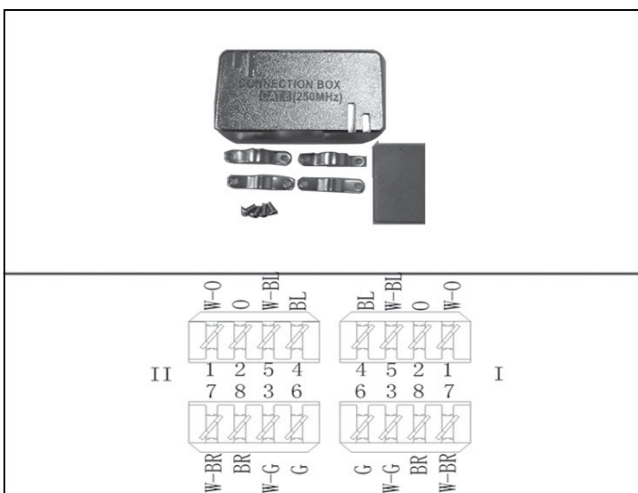
ELECTRICAL FEATURES

Current Rating	1.5A
Insulation Resistance	500MΩ
Contact Resistance	20MΩ
DC Resistance	0.1Ω
Dielectric Withstanding Voltage	1000V

SPECIFICATIONS

Housing	ABS, UL94V-0
IDC Plastic	PC, UL 94V-0
IDC Contact	Phosphor Bronze with 200μ Tin over 100μ Nickel undercoat
Dimensions	W63mm x D25.6mm x H10.5mm
Temperature	-40°C to 68°C
Humidity	10% to 90% RH
IDC Block	200 Termination Cycles

INSTALLATION SPECIFICATIONS



To view Access' extensive ranges go to: www.accesscomms.com.au

Sydney (Head Office)
Brisbane Sales
Melbourne Office
Adelaide Office

Unit 1, 29 Prince William Drive, Seven Hills NSW 2147
28 The Gateway, Broadmeadows VIC 3047
71 Anzac Highway, Ashford SA 5035

Phone: (02) 9414 8888
Phone: (07) 3308 5555
Phone: (03) 9330 8333
Phone: (08) 8338 5540

sales@accesscomms.com.au
brisbane@accesscomms.com.au
melbourne@accesscomms.com.au
adelaide@accesscomms.com.au

Cat6 In-Line Punch

P2327

Absetzmaße (schirmfolie) nur S/FTP Stripping pattern (screen foil) only S/FTP		
	I	II
Farbcode EIA/TIA Colour code EIA/TIA	Länge in mm Length in mm	Länge in mm Length in mm
Paar/Pair 1 W-BL/BL	15	35
Paar/Pair 2 W-0/0	15	35
Paar/Pair 3 W-G/G	35	15
Paar/Pair 4 W-BR/BR	35	15

