



FEATURES

- The inline punch is used to connect and create a bridge between two cables requiring no termination.
- Provides a means to eliminate connectivity problems which could occur during voice & data installations.
- Used to join two solid cables to extend existing cable run to a new location
- Can be utilised in permanent installations
- Inline Coupler Punch down is a surface mounted Cat6 coupler block with punchdown terminals

ELECTRICAL FEATURES

Current Rating	1.5A
Insulation Resistance	500MΩ
Contact Resistance	20MΩ
DC Resistance	0.1Ω
Dielectric Withstanding Voltage	1000V

SPECIFICATION

Housing	ABS, UL94V-0
IDC Plastic	PC, UL 94V-0
IDC Contact	Phosphor Bronze with 200μ Tin over 100μ Nickel undercoat
Dimensions	W63mm x D25.6mm x H10.5mm
Temperature	-40°C to 68°C
Humidity	10% to 90% RH
IDC Block	200 Termination Cycles

To view Access' extensive ranges go to: www.accesscomms.com.au

Sydney (Head Office)

Brisbane Office

Melbourne Office

Adelaide Office

33-35 Alleyne Street, Chatswood, NSW, 2067

Unit 4, 7 Luke Street, Lytton, QLD, 4178

28 The Gateway, Broadmeadows, VIC, 3047

71 Anzac Highway, Ashford, SA, 5035

Phone: (02) 9414 8888

Phone: (07) 3308 5555

Phone: (03) 9330 8333

Phone: (08) 8338 5540

Fax: (02) 9414 8800

Fax: (07) 3308 5500

Fax: (03) 9330 8330

Mob: 0438 245 116

websales@accesscomms.com.au

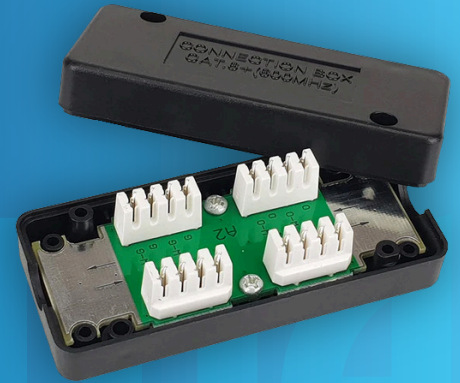
brisbane@accesscomms.com.au

melbourne@accesscomms.com.au

adelaide@accesscomms.com.au

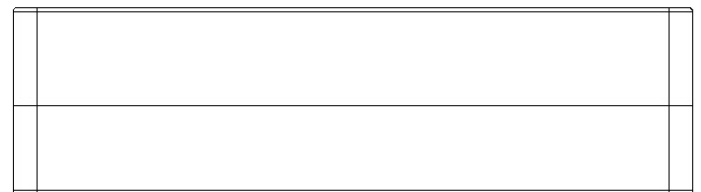
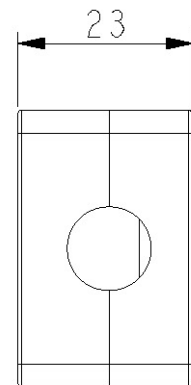
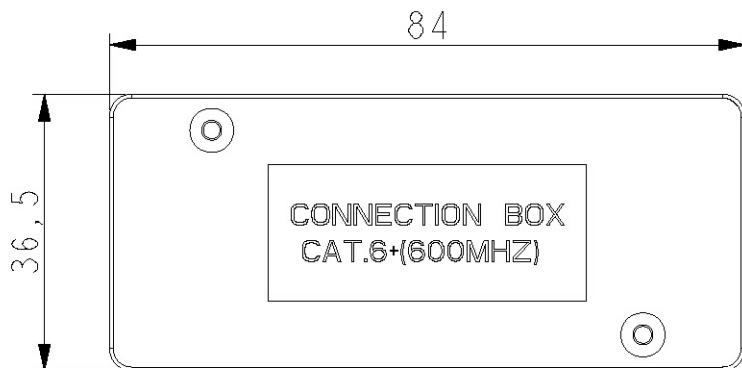
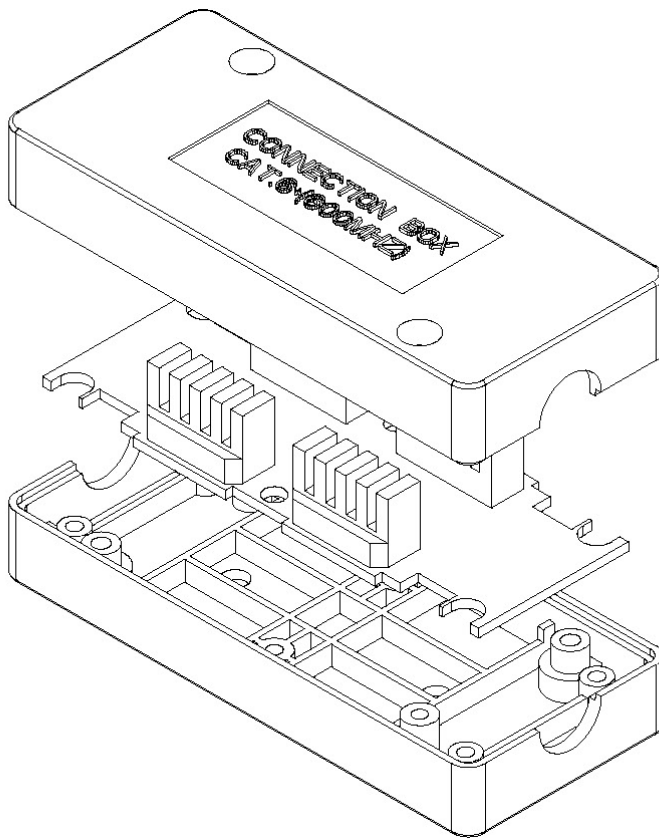
CAT-6 In-Line Punch

P2327



DATAMASTER

PRODUCT OUTLINE DRAWING



To view Access' extensive ranges go to: www.accesscomms.com.au

Sydney (Head Office)
Brisbane Office
Melbourne Office
Adelaide Office

33-35 Alleyne Street, Chatswood, NSW, 2067
Unit 4, 7 Luke Street, Lytton, QLD, 4178
28 The Gateway, Broadmeadows, VIC, 3047
71 Anzac Highway, Ashford, SA, 5035

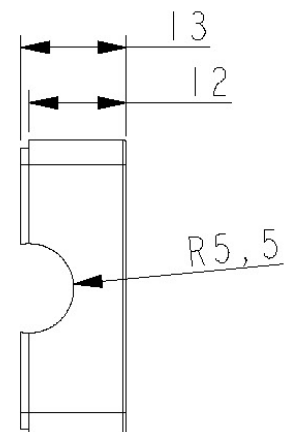
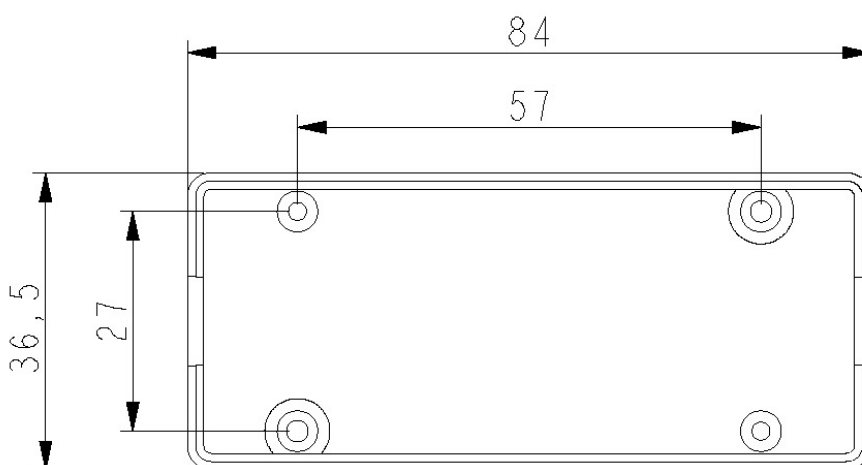
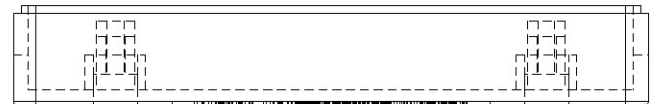
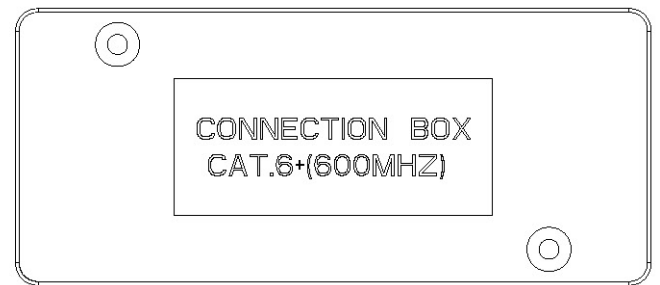
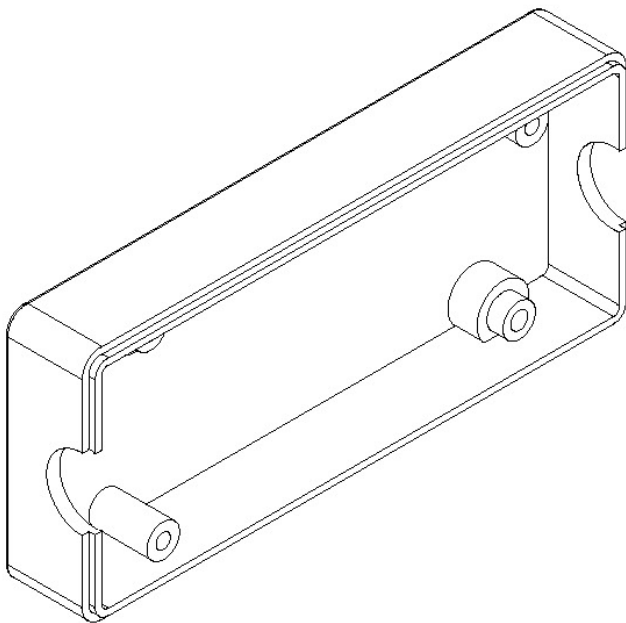
Phone: (02) 9414 8888
Phone: (07) 3308 5555
Phone: (03) 9330 8333
Phone: (08) 8338 5540

Fax: (02) 9414 8800
Fax: (07) 3308 5500
Fax: (03) 9330 8330
Mob: 0438 245 116

websales@accesscomms.com.au
brisbane@accesscomms.com.au
melbourne@accesscomms.com.au
adelaide@accesscomms.com.au



PRODUCT OUTLINE DRAWING



To view Access' extensive ranges go to: www.accesscomms.com.au

Sydney (Head Office)
Brisbane Office
Melbourne Office
Adelaide Office

33-35 Alleyne Street, Chatswood, NSW, 2067
Unit 4, 7 Luke Street, Lytton, QLD, 4178
28 The Gateway, Broadmeadows, VIC, 3047
71 Anzac Highway, Ashford, SA, 5035

Phone: (02) 9414 8888
Phone: (07) 3308 5555
Phone: (03) 9330 8333
Phone: (08) 8338 5540

Fax: (02) 9414 8800
Fax: (07) 3308 5500
Fax: (03) 9330 8330
Mob: 0438 245 116

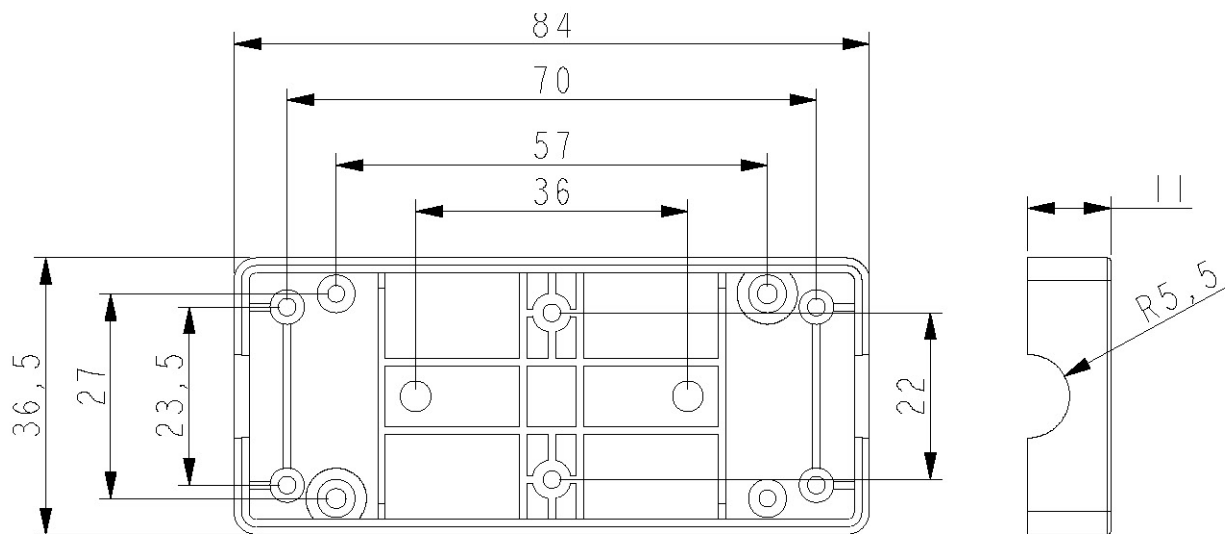
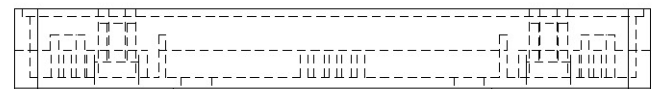
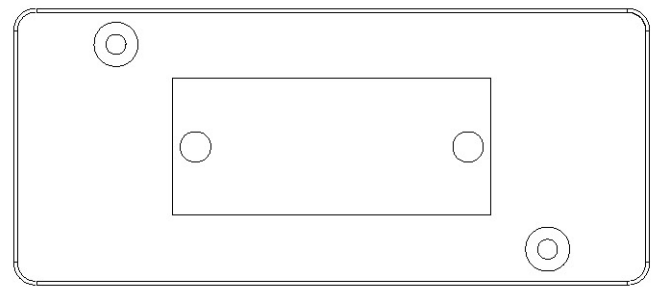
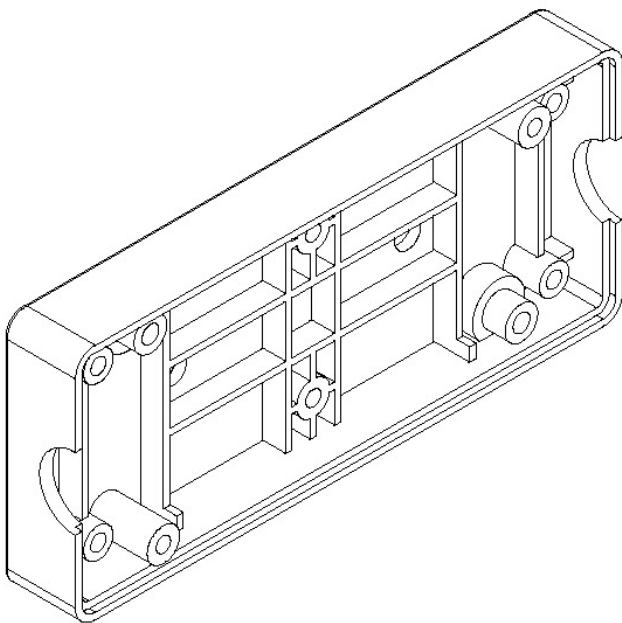
websales@accesscomms.com.au
brisbane@accesscomms.com.au
melbourne@accesscomms.com.au
adelaide@accesscomms.com.au

CAT-6 In-Line Punch

P2327



PRODUCT OUTLINE DRAWING



To view Access' extensive ranges go to: www.accesscomms.com.au

Sydney (Head Office)
Brisbane Office
Melbourne Office
Adelaide Office

33-35 Alleyne Street, Chatswood, NSW, 2067
Unit 4, 7 Luke Street, Lytton, QLD, 4178
28 The Gateway, Broadmeadows, VIC, 3047
71 Anzac Highway, Ashford, SA, 5035

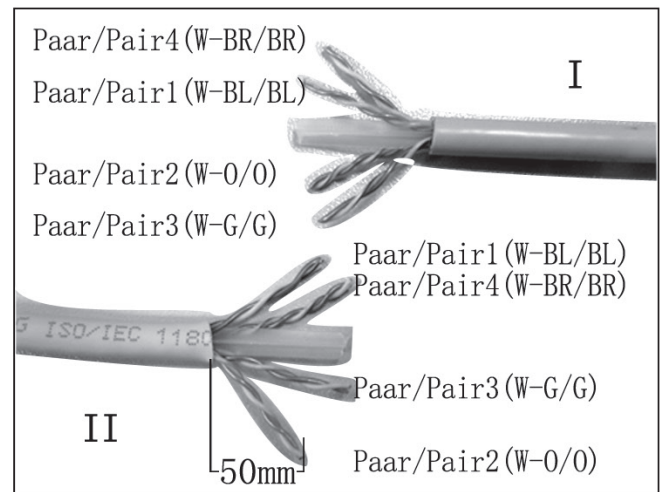
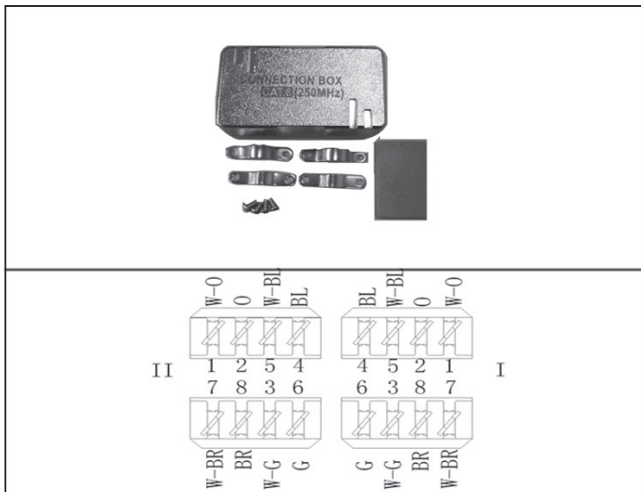
Phone: (02) 9414 8888
Phone: (07) 3308 5555
Phone: (03) 9330 8333
Phone: (08) 8338 5540

Fax: (02) 9414 8800
Fax: (07) 3308 5500
Fax: (03) 9330 8330
Mob: 0438 245 116

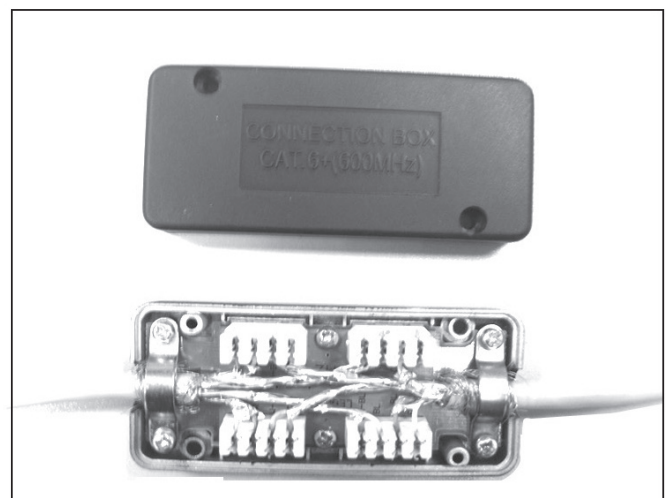
websales@accesscomms.com.au
brisbane@accesscomms.com.au
melbourne@accesscomms.com.au
adelaide@accesscomms.com.au



INSTALLATION SPECIFICATIONS



Absetzmaße (schirmfolie) nur S/FTP Stripping pattern (screen foil) only S/FTP		
	I	II
Farbcode EIA/TIA Colour code EIA/TIA	Länge in mm Length in mm	Länge in mm Length in mm
Paar/Pair 1 W-BL/BL	15	35
Paar/Pair 2 W-0/0	15	35
Paar/Pair 3 W-G/G	35	15
Paar/Pair 4 W-BR/BR	35	15



To view Access' extensive ranges go to: www.accesscomms.com.au

Sydney (Head Office) 33-35 Alleyne Street, Chatswood, NSW, 2067
Brisbane Office Unit 4, 7 Luke Street, Lytton, QLD, 4178
Melbourne Office 28 The Gateway, Broadmeadows, VIC, 3047
Adelaide Office 71 Znac Highway, Ashford, SA, 5035

Phone: (02) 9414 8888
 Phone: (07) 3308 5555
 Phone: (03) 9330 8333
 Phone: (08) 8338 5540

Fax: (02) 9414 8800
 Fax: (07) 3308 5500
 Fax: (03) 9330 8330
 Mob: 0438 245 116

websales@accesscomms.com.au
brisbane@accesscomms.com.au
melbourne@accesscomms.com.au
adelaide@accesscomms.com.au