

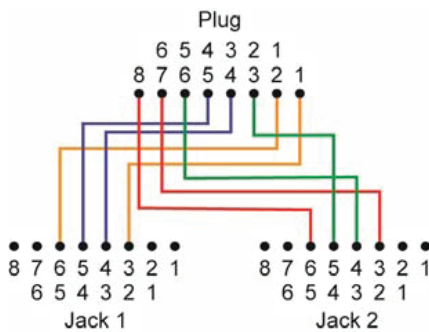
Cat5 Splitters

P2300



FEATURES

- Cat 5 splitters enable two different devices to share the same cable and outlet.
- The short (100mm) cord plugs into an existing Cat 5 outlet.
- Several wiring configurations are available to split the four pairs to suit different applications.

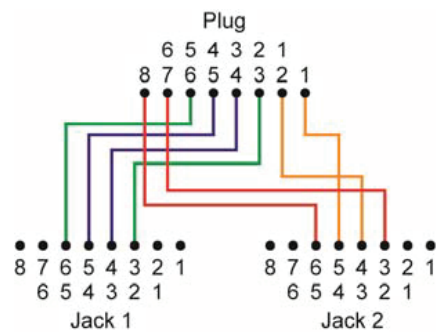


P2312

Splits a 4-pair T568A/T568B jack.

Pairs 1 & 2 appear on output jack 1.
Pairs 3 & 4 appear on output jack 2.

Used for Token Ring or Voice applications at either jack.



P2313

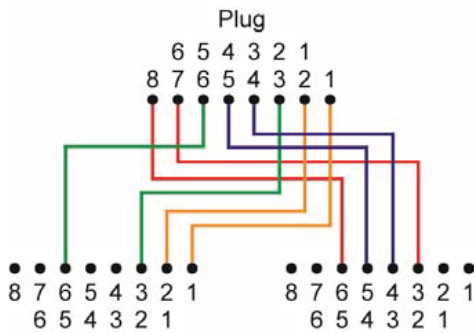
Splits a 4-pair T568A/T568B jack.

Pairs 2 & 3 appear on output jack 1.
Pairs 1 & 4 appear on output jack 2.

Used for Token Ring or Voice applications at either jack.

Cat5 Splitters

P2300

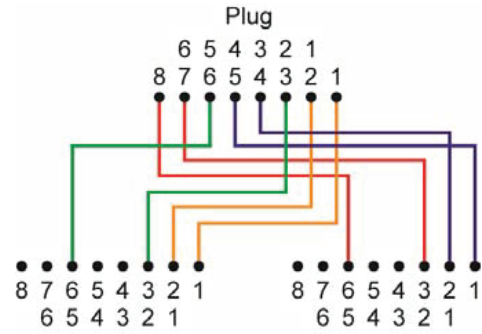


P2314

Splits a 4-pair T568A/T568B jack.

Pairs 2 & 3 appear on output jack 1.
Pairs 1 & 4 appear on output jack 2.

Used for 10BASE-T at jack 1 and Token Ring or Voice applications at jack 2.

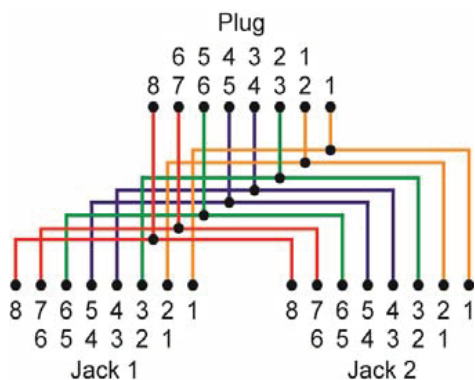


P2315

Splits a 4-pair T568A/T568B jack.

Pairs 2 & 3 appear on output jack 1.
Pairs 1 & 4 appear on output jack 2.

Used for 10BASE-T applications at either jack.



P2317

Bridges all jack pairs.

Compatible with any jack wiring. Provides an additional 4-pair jack with the same wiring.