

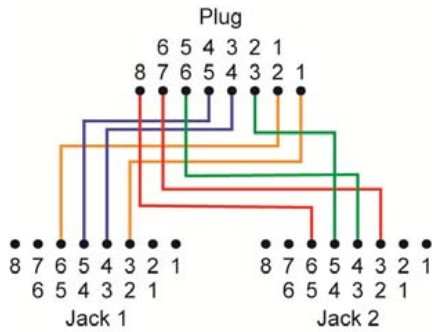
## Cat # P2300 series Cat 5 Splitter Product Specification Sheet



Cat 5 splitters enable two different devices to share the same cable and outlet.

The short (100mm) cord plugs into an existing Cat 5 outlet.

Several wiring configurations are available to split the four pairs to suit different applications.

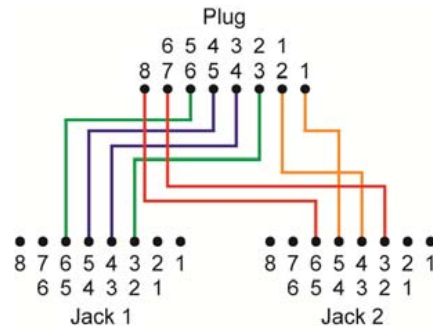


### P2312

Splits a 4-pair T568A/T568B jack.

Pairs 1 & 2 appear on output jack 1.  
Pairs 3 & 4 appear on output jack 2.

Used for Token Ring or Voice applications at either jack.

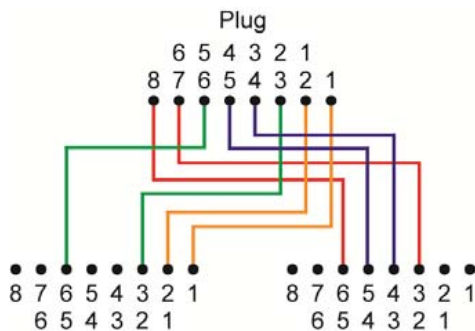


### P2313

Splits a 4-pair T568A/T568B jack.

Pairs 2 & 3 appear on output jack 1.  
Pairs 1 & 4 appear on output jack 2.

Used for Token Ring or Voice applications at either jack.

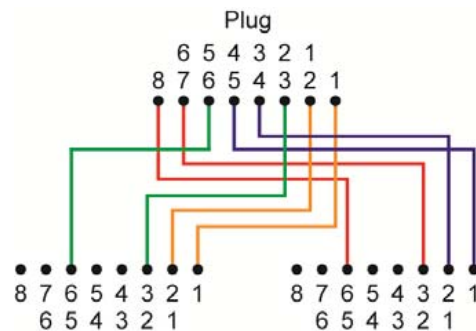


### P2314

Splits a 4-pair T568A/T568B jack.

Pairs 2 & 3 appear on output jack 1.  
Pairs 1 & 4 appear on output jack 2.

Used for 10BASE-T at jack 1 and Token Ring or Voice applications at jack 2.

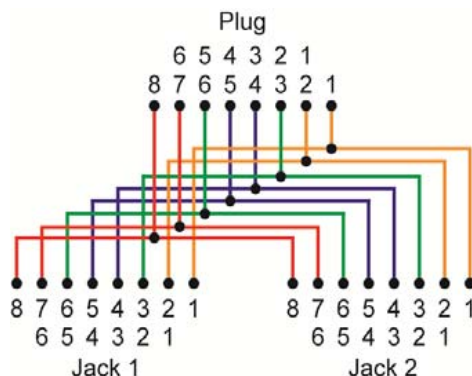


### P2315

Splits a 4-pair T568A/T568B jack.

Pairs 2 & 3 appear on output jack 1.  
Pairs 1 & 4 appear on output jack 2.

Used for 10BASE-T applications at either jack.



### P2317

Bridges all jack pairs.

Compatible with any jack wiring. Provides an additional 4-pair jack with the same wiring.

To view Access' extensive ranges go to: [www.accesscomms.com.au](http://www.accesscomms.com.au)

**Sydney (Head Office)**  
**Brisbane Office**  
**Melbourne Office**  
**Adelaide Office**

33-35 Alleyne Street, Chatswood, NSW, 2067  
28 The Gateway, Broadmeadows, VIC, 3047  
71 Anzac Highway, Ashford, SA, 5035

Phone: (02) 9414 8888  
Phone: (07) 3308 5555  
Phone: (03) 9330 8333  
Phone: (08) 8338 5540

Fax: (02) 9414 8800  
Fax: (07) 3308 5500  
Fax: (03) 9330 8330  
Mob: 0438 245 116

[websales@accesscomms.com.au](mailto:websales@accesscomms.com.au)  
[brisbane@accesscomms.com.au](mailto:brisbane@accesscomms.com.au)  
[melbourne@accesscomms.com.au](mailto:melbourne@accesscomms.com.au)  
[adelaide@accesscomms.com.au](mailto:adelaide@accesscomms.com.au)