

Cat6a STP Field Termination Plug P2178FT

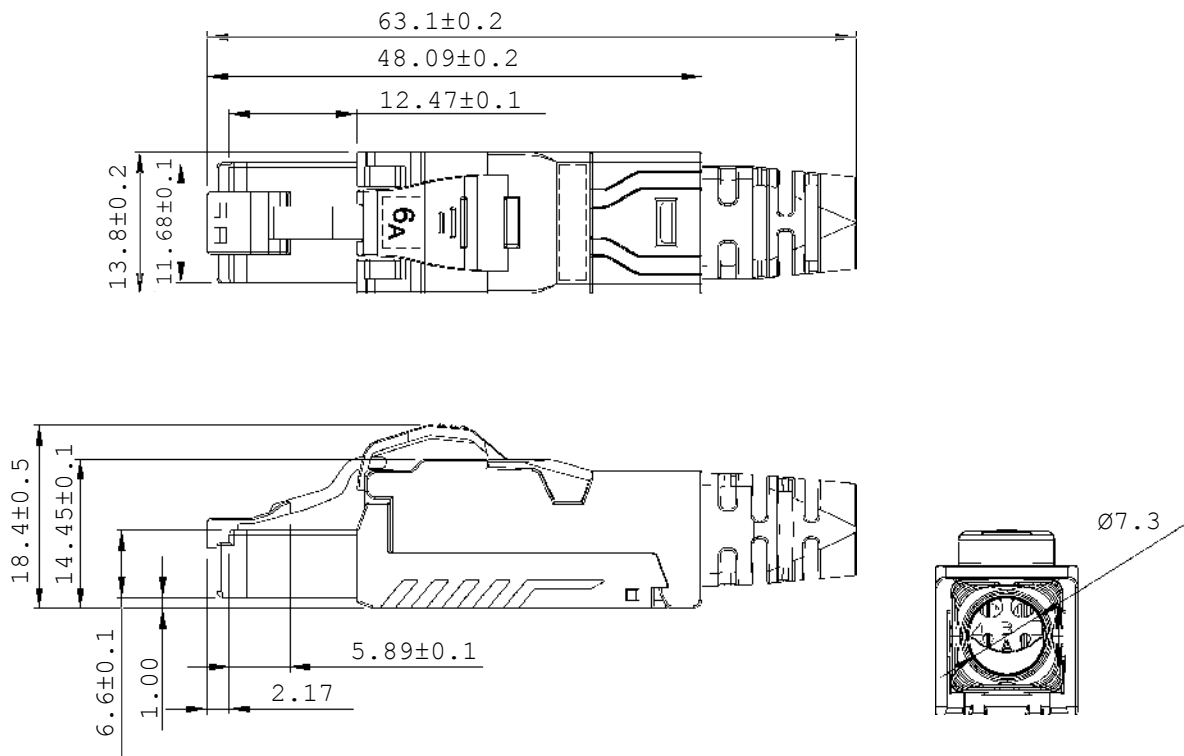


FEATURES

- High-density and extreme performance by PCB compensation design for Hyper-scale and Edge Data centre.
- Tool-free structure design supports easy and quick in-field termination, T568A and B wiring.
- Power over HDBaseT™ (PoH) applications up to 100 W.
- IP20 performance by the dust-cap and snap-in boot design.
- UL 1863 verified.

CAT#	COLOUR	LENGTH	PACKING
P2178FT	Beige		

DESIGN & CONSTRUCTION



To view Access' extensive ranges go to: www.accesscomms.com.au

Sydney (Head Office)
Brisbane Sales
Melbourne Office
Adelaide Office

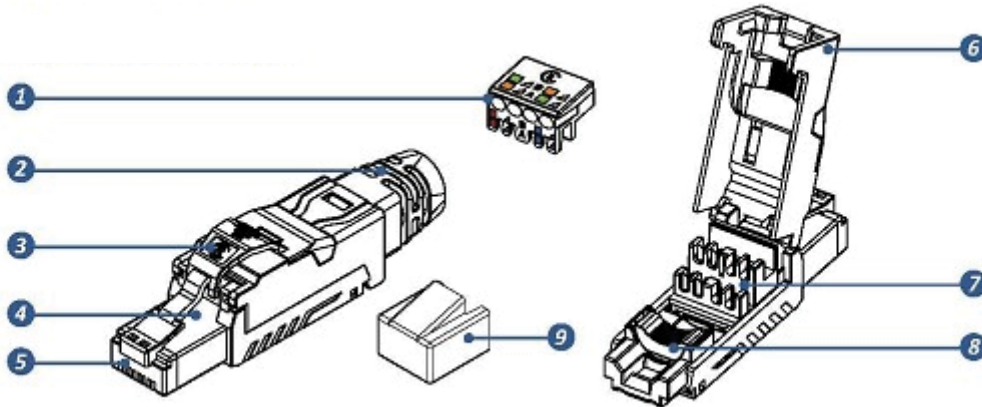
Unit 1, 29 Prince William Drive, Seven Hills NSW 2147
28 The Gateway, Broadmeadows VIC 3047
71 Anzac Highway, Ashford SA 5035

Phone: (02) 9414 8888
Phone: (07) 3308 5555
Phone: (03) 9330 8333
Phone: (08) 8338 5540

sales@accesscomms.com.au
brisbane@accesscomms.com.au
melbourne@accesscomms.com.au
adelaide@accesscomms.com.au

Cat6a STP Field Termination Plug P2178FT

PRODUCT SPECIFICATIONS



ITEM	DESCRIPTION	COLOUR	SPECIFICATION
1	Wire management bar (DC-Cap)	White	Polycarbonate UL94V-2
2	Boot		
2.1	SR-A	Transparent	Polycarbonate UL94V-2
2.2	SR-B	Transparent	Polycarbonate UL94V-2
3	Extractor	Black	Polycarbonate UL94V-2
4	Housing		Zinc die-casting with nickel plating
5	RJ45 plug		
5.1	Housing	Transparent yellow	Polycarbonate UL94V-2
5.2	Contacts material		Phosphor bronze with nickel plating
5.3	Contacts gold plating		50 micro-inch gold plating on surface plug contact area
6	Cover		Zinc die-casting with nickel plating
7	IDC		
7.1	Housing	White	Polycarbonate UL94V-2
7.2	Terminals		Copper-alloy with tin plating
8	Grounding contacts		Zinc die-casting with nickel plating
9	Dust-cap	Black	PE
10	PCB		FR4, UL94V-0
11	Copper foil tape		

To view Access' extensive ranges go to: www.accesscomms.com.au

Sydney (Head Office)
Brisbane Sales
Melbourne Office
Adelaide Office

Unit 1, 29 Prince William Drive, Seven Hills NSW 2147
28 The Gateway, Broadmeadows VIC 3047
71 Anzac Highway, Ashford SA 5035

Phone: (02) 9414 8888
Phone: (07) 3308 5555
Phone: (03) 9330 8333
Phone: (08) 8338 5540

sales@accesscomms.com.au
brisbane@accesscomms.com.au
melbourne@accesscomms.com.au
adelaide@accesscomms.com.au

Cat6a STP Field Termination Plug P2178FT

ELECTRICAL CHARACTERISTICS

Contact resistance	≤20 MΩ from initial
Insulation resistance	≥500 MΩ at 100 Vdc for 60s
Voltage proof	Contact to contact 1000 Vdc Contact to shield 1500 Vdc for 60s
Current carrying capacity	1.0A to 60°C
UL voltage rating	150V
PoE	60 Vdc 4PPoE 100 W IEEE802.3bt type 4

INSTALLATION

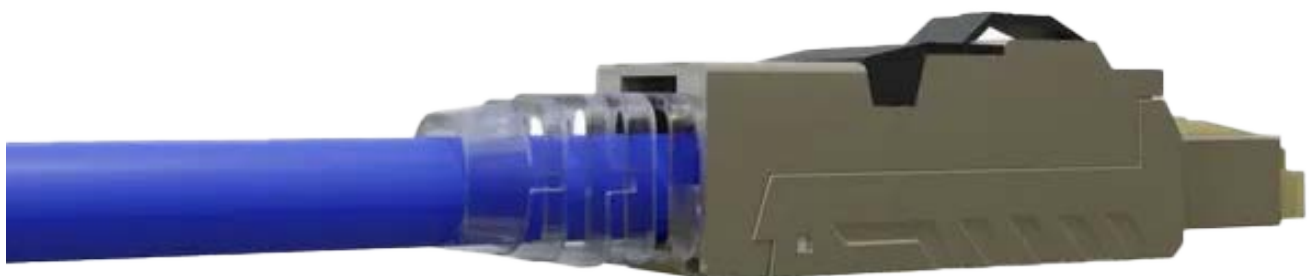
Wire conductor range	Solid and stranded
Cable OD range	5.6 - 8.5mm
IDC re-installing cycles	≥ 20 cycles
Installing temperature	0°C to 50°C
Storage temperature	-40°C to 70°C
Operating temperature	-10°C to 60°C
Humidity	10% to 90% RH

MECHANICAL CHARACTERISTICS

Life (mating cycles)	≥750 cycles
Mating/unmating EC	≤30 N
Retention strength	7.7kg between jack and plug

REGULATORY COMPLIANCE

ANSI/TIA-568.2-D
ISO/IEC 11801-1 Class EA/Class 1
IEC 60603-7-1
IEC60512-99-002
IEEE 802.3bt Type 4 PoE++ (4PPoE) 100 W
ANSI/TIA-1096-A (formerly FCC Part 68)
UL1863
RoHS/REACH compliant



To view Access' extensive ranges go to: www.accesscomms.com.au

Sydney (Head Office)
Brisbane Sales
Melbourne Office
Adelaide Office

Unit 1, 29 Prince William Drive, Seven Hills NSW 2147
28 The Gateway, Broadmeadows VIC 3047
71 Anzac Highway, Ashford SA 5035

Phone: (02) 9414 8888
Phone: (07) 3308 5555
Phone: (03) 9330 8333
Phone: (08) 8338 5540

sales@accesscomms.com.au
brisbane@accesscomms.com.au
melbourne@accesscomms.com.au
adelaide@accesscomms.com.au