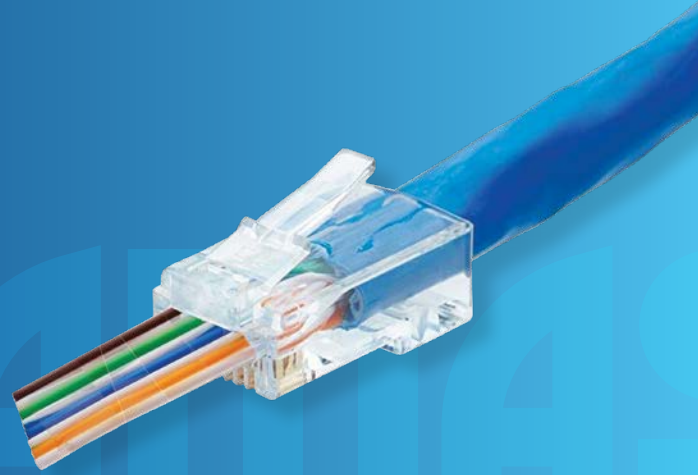


## Quick Term RJ45 Modular Plugs 100 Pack

P2176QTUJ

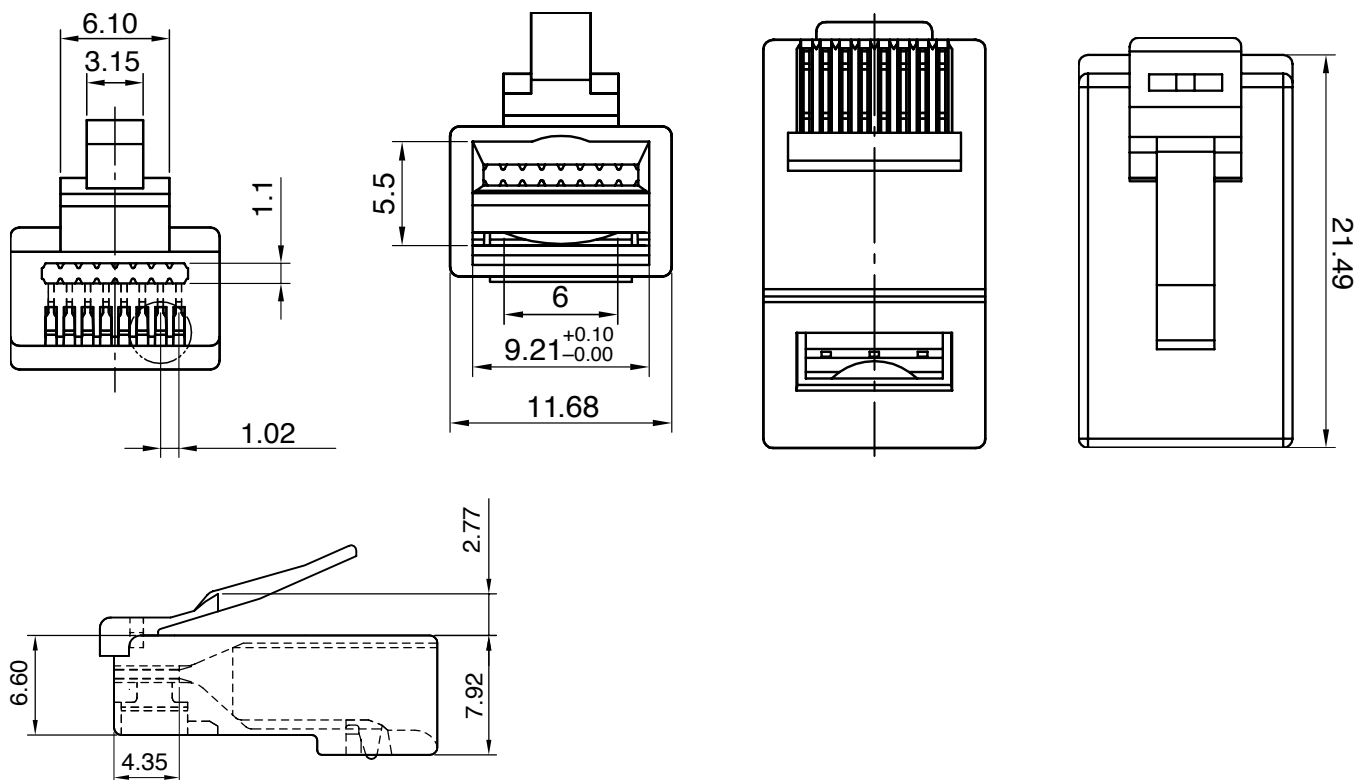


### FEATURES

Quick Term RJ45 push through single piece plug. Wires are slid through the channels enabling visible positioning prior to termination. Terminated with the T0019QT Quick Term crimping tool, the pass through connector is an ideal plug for easy and fast assembly. The Datamaster® Quick Term RJ45 reduces approximately 40% of the time that it takes to assemble a Cat 6 patch cable with standard 2 piece Cat-6 plugs. With the patented 3-prong contact pins (Z blades), the Quick Term connector can be used with both stranded and solid cables.

CAT#	TYPE	CONDUCTOR TYPE	QUANTITY	PACKAGING
P2176QTUJ	8P8C	Solid & Stranded	100 Pieces	Jar

### DESIGN & CONSTRUCTION



To view Access' extensive ranges go to: [www.accesscomms.com.au](http://www.accesscomms.com.au)

Sydney (Head Office)  
Brisbane Sales  
Melbourne Office  
Adelaide Office

Unit 1, 29 Prince William Drive, Seven Hills NSW 2147  
28 The Gateway, Broadmeadows VIC 3047  
71 Anzac Highway, Ashford SA 5035

Phone: (02) 9414 8888  
Phone: (07) 3308 5555  
Phone: (03) 9330 8333  
Phone: (08) 8338 5540

sales@accesscomms.com.au  
brisbane@accesscomms.com.au  
melbourne@accesscomms.com.au  
adelaide@accesscomms.com.au

## Quick Term RJ45 Modular Plugs 100 Pack P2176QTUJ

### ELECTRICAL SPECIFICATIONS

UL Applications	250 Volts AC Max at 2 AMPS
Dielectric Withstanding Voltage	1000V AC
Insulation Resistance	100 MΩ
Termination	Resistance 20m Ω Max after environmental testing

### MATERIAL SPECIFICATIONS

Housing	Polycarbonate UL 94V-0 or UL94V-2
Colour	Transparent
Contact Blade	Copper alloy
Conductor	Stranded and solidwire, 23AWG, 24AWG, 26 AWG

### MECHANICAL SPECIFICATIONS

Cable to Plug Tensile Strength	20 pound Min
Durability	200 Mating Cycles

### COMPLIANCE

RoHS compliant
Conforms to IEC 60603-7
UL certified



To view Access' extensive ranges go to: [www.accesscomms.com.au](http://www.accesscomms.com.au)

Sydney (Head Office)  
Brisbane Sales  
Melbourne Office  
Adelaide Office

Unit 1, 29 Prince William Drive, Seven Hills NSW 2147  
28 The Gateway, Broadmeadows VIC 3047  
71 Anzac Highway, Ashford SA 5035

Phone: (02) 9414 8888  
Phone: (07) 3308 5555  
Phone: (03) 9330 8333  
Phone: (08) 8338 5540

[sales@accesscomms.com.au](mailto:sales@accesscomms.com.au)  
[brisbane@accesscomms.com.au](mailto:brisbane@accesscomms.com.au)  
[melbourne@accesscomms.com.au](mailto:melbourne@accesscomms.com.au)  
[adelaide@accesscomms.com.au](mailto:adelaide@accesscomms.com.au)