

6P4C Modular Plugs

P2136



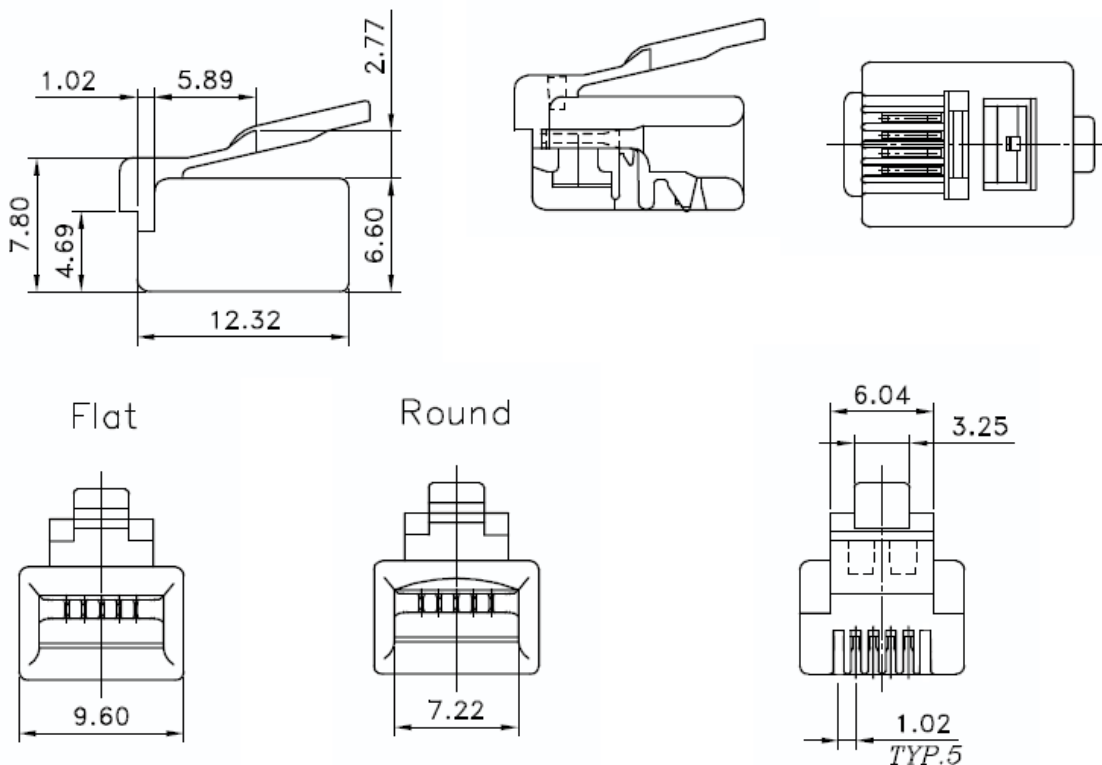
FEATURES

Generally used for termination of line cords. Plugs with 50μ", 30μ", 15μ" or 6μ" gold plated contacts are available.

Packed in bags of 5, 20, 50, 100 or bulk. Plugs for stranded or solid conductors with round or flat cord entry are available.

CAT#	TYPE	CONDUCTOR TYPE	SHAPE	PACKING
P2136	6P4C	Stranded	Flat	1

DESIGN & CONSTRUCTION



To view Access' extensive ranges go to: www.accesscomms.com.au

Sydney (Head Office)
Brisbane Sales
Melbourne Office
Adelaide Office

Unit 1, 29 Prince William Drive, Seven Hills NSW 2147
28 The Gateway, Broadmeadows VIC 3047
71 Anzac Highway, Ashford SA 5035

Phone: (02) 9414 8888
Phone: (07) 3308 5555
Phone: (03) 9330 8333
Phone: (08) 8338 5540

sales@accesscomms.com.au
brisbane@accesscomms.com.au
melbourne@accesscomms.com.au
adelaide@accesscomms.com.au

6P4C Modular Plugs

P2136

ELECTRICAL SPECIFICATIONS

UL Applications	250 Volts AC Max at 2 Amps
Dielectric Withstanding Voltage	500V AC
Insulation Resistance	100 M Ω
Termination	Resistance 20m Ω Max after environmental testing

MECHANICAL SPECIFICATIONS

Cable to Plug Tensile Strength	19.6N / PCS Min
Durability	200 Mating Cycles

MATERIAL SPECIFICATIONS

Housing	Polycarbonate UL 94V-0 OR UL94V-2
Colour	Transparent
Contact Blade	Phosphor and Bronze
Conductor	Stranded and solid wire 24AWG, 26AWG, 28AWG
Gold Plating	50 μ ", 30 μ " and 15 μ " available

To view Access' extensive ranges go to: www.accesscomms.com.au

Sydney (Head Office)
Brisbane Sales
Melbourne Office
Adelaide Office

Unit 1, 29 Prince William Drive, Seven Hills NSW 2147
28 The Gateway, Broadmeadows VIC 3047
71 Anzac Highway, Ashford SA 5035

Phone: (02) 9414 8888
Phone: (07) 3308 5555
Phone: (03) 9330 8333
Phone: (08) 8338 5540

sales@accesscomms.com.au
brisbane@accesscomms.com.au
melbourne@accesscomms.com.au
adelaide@accesscomms.com.au