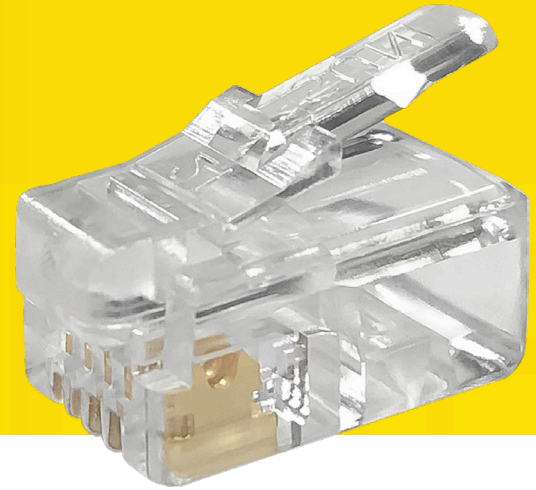


4P4C Modular Plugs

P2124, P2122, P2123, 2010, 2004, 2005, 2001

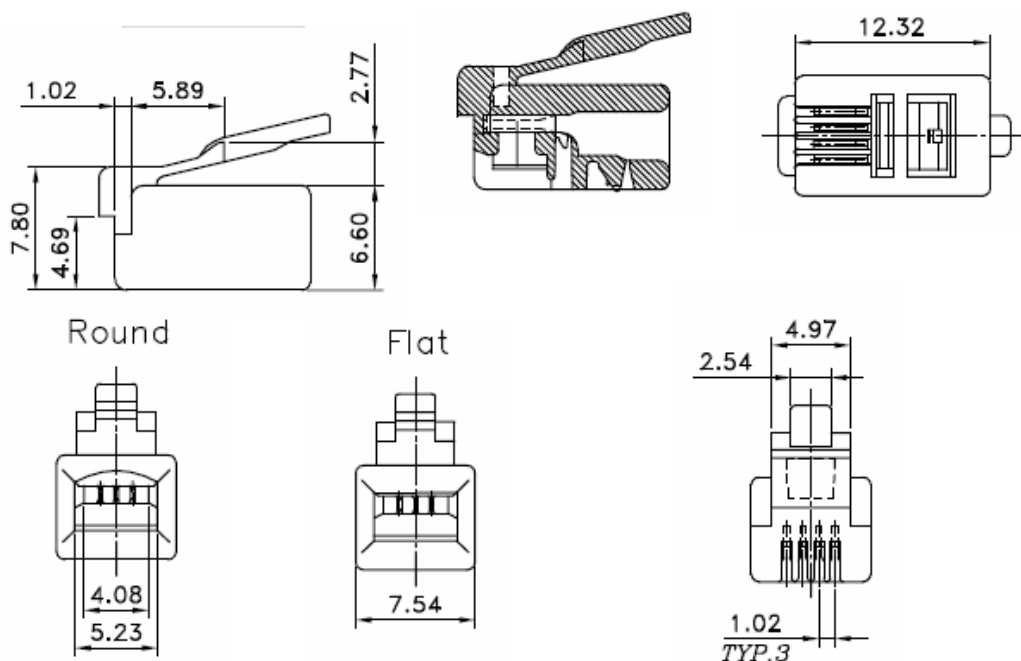


FEATURES

Generally used for termination of coiled handset cords. Plugs with 50 μ ”, 30 μ ” or 15 μ ” gold plated contacts are available. Packed in bags of 5, 20, 50, 100 or bulk. Plugs for stranded or solid conductors with round or flat cord entry are available.

CAT#	TYPE	CONDUCTOR TYPE	SHAPE	PACKING
P2124	4P4C	Stranded	Flat	1
P2003	4P4C	Stranded	Flat	20 Per Pack
P2122	4P4C	Solid	Round	1
P2010	4P4C	Stranded	Round	100 Per Pack
P2123	4P4C	Stranded	Round	1
P2001	4P4C	Stranded	Flat	5 Per Pack
P2004	4P4C	Stranded	Flat	50 Per Pack
P2005	4P4C	Stranded	Flat	100 Per Pack
P2122-100	4P4C	Solid	Round	100 Per Pack
P2122-002	4P4C	Solid	Round	1

DESIGN & CONSTRUCTION



To view Access' extensive ranges go to: www.accesscomms.com.au

Sydney (Head Office)
Brisbane Office
Melbourne Office
Adelaide Office

Unit 1, 29 Prince William Drive, Seven Hills NSW, 2147

28 The Gateway, Broadmeadows, VIC, 3047
 71 Anzac Highway, Ashford, SA, 5035

Phone: (02) 9414 8888
 Phone: (07) 3308 5555
 Phone: (03) 9330 8333
 Phone: (08) 8338 5540

Fax: (02) 9414 8800
 Fax: (07) 3308 5500
 Fax: (03) 9330 8330

websales@accesscomms.com.au
brisbane@accesscomms.com.au
melbourne@accesscomms.com.au
adelaide@accesscomms.com.au

TELEMASTER

8P8C ROUND / SOLID

P2059

ACCESS
COMMUNICATIONS PTY LTD



ELECTRICAL SPECIFICATIONS

UL Applications	250 Volts AC Max at 2 AMPS
Dielectric Withstanding Voltage	500 V AC
Insulation Resistance:	100 MΩ
Contact Resistance	Resistance 20m Ω Max after environmental testing

MECHANICAL SPECIFICATIONS

Cable to Plug Tensile Strength	19.6N / PCS Min
Durability	200 Mating Cycles

MATERIAL SPECIFICATIONS

Housing	Polycarbonate UL 94V-0 OR UL94V-2
Colour	Transparent
Contact Blade	Phosphor and Bronze
Gold Plating	50u", 30u" and 15u" available



To view Access' extensive ranges go to: www.accesscomms.com.au

Sydney (Head Office)
Brisbane Office
Melbourne Office
Adelaide Office

Unit 1, 29 Prince William Drive, Seven Hills NSW, 2147
28 The Gateway, Broadmeadows, VIC, 3047
71 Anzac Highway, Ashford, SA, 5035

Phone: (02) 9414 8888
Phone: (07) 3308 5555
Phone: (03) 9330 8333
Phone: (08) 8338 5540

Fax: (02) 9414 8800
Fax: (07) 3308 5500
Fax: (03) 9330 8330

websales@accesscomms.com.au
brisbane@accesscomms.com.au
melbourne@accesscomms.com.au
adelaide@accesscomms.com.au