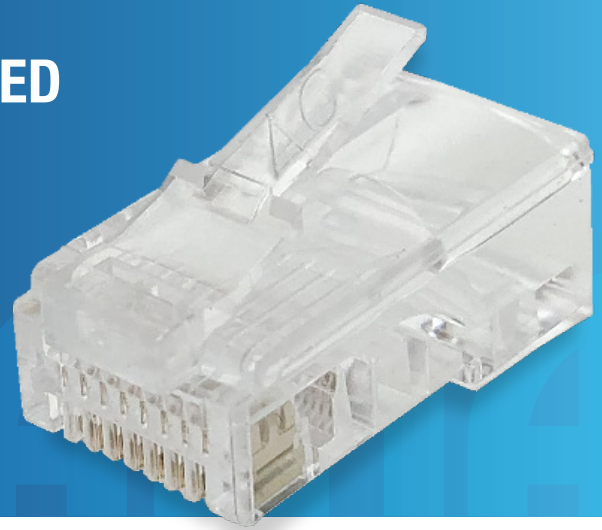


8P8C MODULAR PLUGS ROUND / SOLID / FLAT / STRANDED

P2057, P2058, P2059, P2060, P2061,
P2063, P2053, P2054, P2055

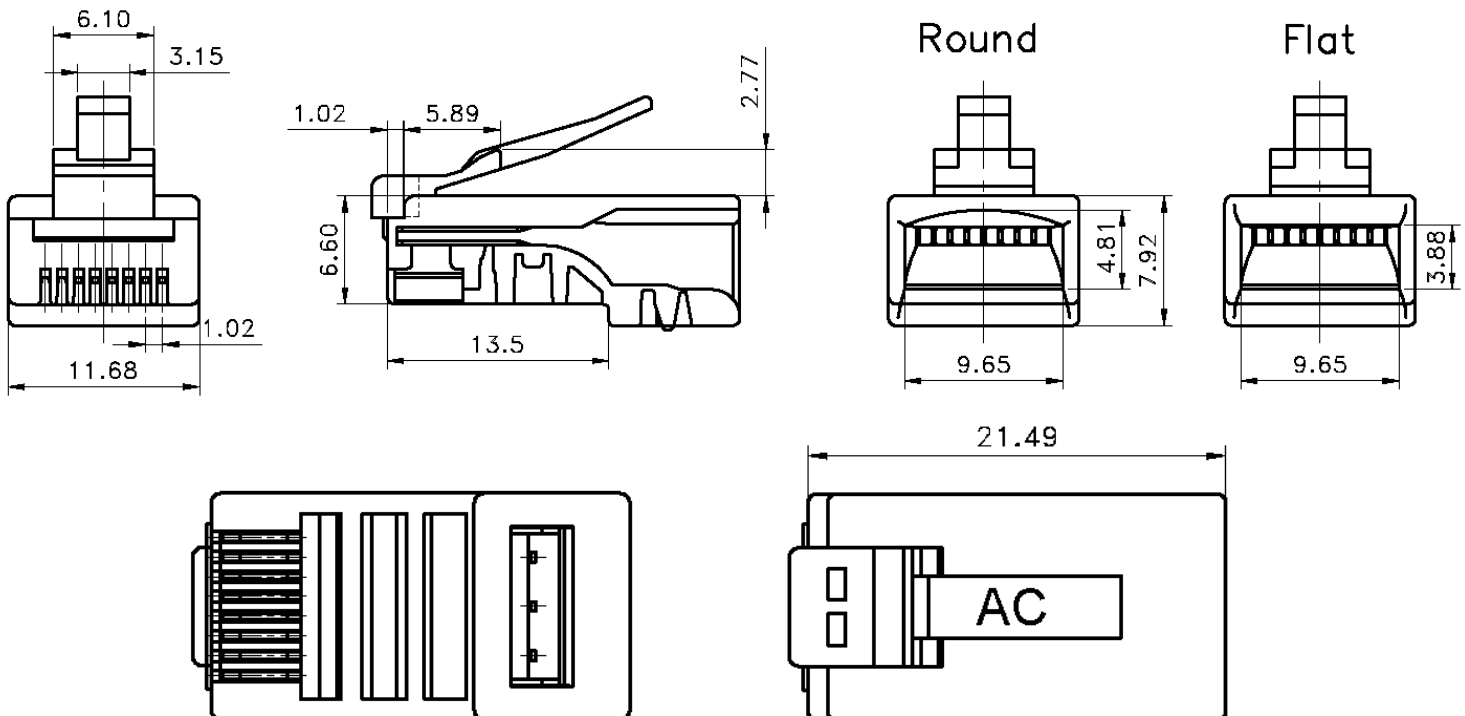


FEATURES

For data communications, telephones, cellular mobile transceivers and computers. Plugs with 50µ", 30µ" or 15µ" gold plated contacts are available. Packed in bags of 20, 50, 100, sometimes 10 or bulk. Plugs for solid/stranded conductors with round or flat cord entry are stocked.

CAT#	TYPE	CONDUCTOR TYPE	PACKING
P2053	8P8C	Flat / Stranded	20 Pieces
P2054	8P8C	Flat / Stranded	50 Pieces
P2055	8P8C	Flat / Stranded	100 Pieces
P2057	8P8C	Round/ Solid	20 Pieces
P2058	8P8C	Round/ Solid	50 Pieces
P2059	8P8C	Round/ Solid	100 Pieces
P2060	8P8C	Round/ Stranded	10 Pieces
P2061	8P8C	Round/ Stranded	20 Pieces
P2063	8P8C	Round/ Stranded	100 Pieces

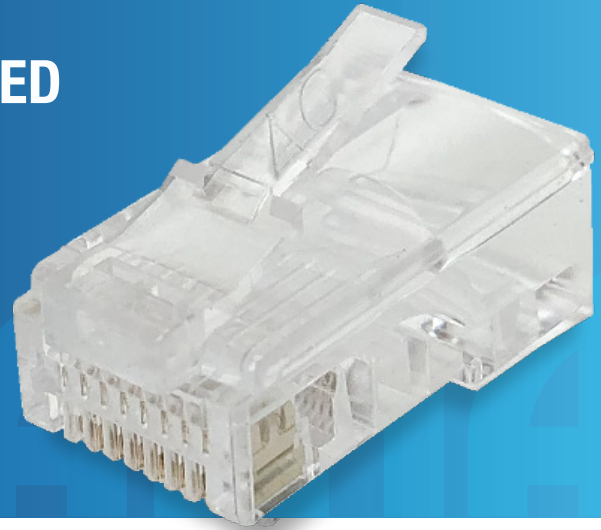
DESIGN & CONSTRUCTION



To view Access' extensive ranges go to: www.accesscomms.com.au

8P8C MODULAR PLUGS ROUND / SOLID / FLAT / STRANDED

P2057, P2058, P2059, P2060, P2061,
P2063, P2053, P2054, P2055



ELECTRICAL SPECIFICATIONS

UL Applications	250 Volts AC Max at 2 AMPS
Dielectric Withstanding Voltage	1000 Volts AC. 60 Sec
Insulation Resistance:	500 MΩ
Contact Resistance	20 mΩ MAX

MECHANICAL SPECIFICATIONS

Strain Relief	20 Pound MIN
Durability	700 Mating Cycles

USAGE SPECIFICATIONS

Suitable for Stranded & Solid Wire
23 AWG ~ 26 AWG
(It can be used for the wire OD from Ø 0.96 ~ Ø 1.02)

MATERIAL SPECIFICATIONS

Housing	Polycarbonate UL 94V-0 OR UL94V-2
Colour	Transparent
Contact Blade	Copper Alloy
Gold Plating	3u" ~ 50u" Are Available

PRODUCT PACKAGING



To view Access' extensive ranges go to: www.accesscomms.com.au