

Cat5e Modular Plugs Round/Solid/Stranded

P2057UB, P2058UB, P2059UB, P2059UJ



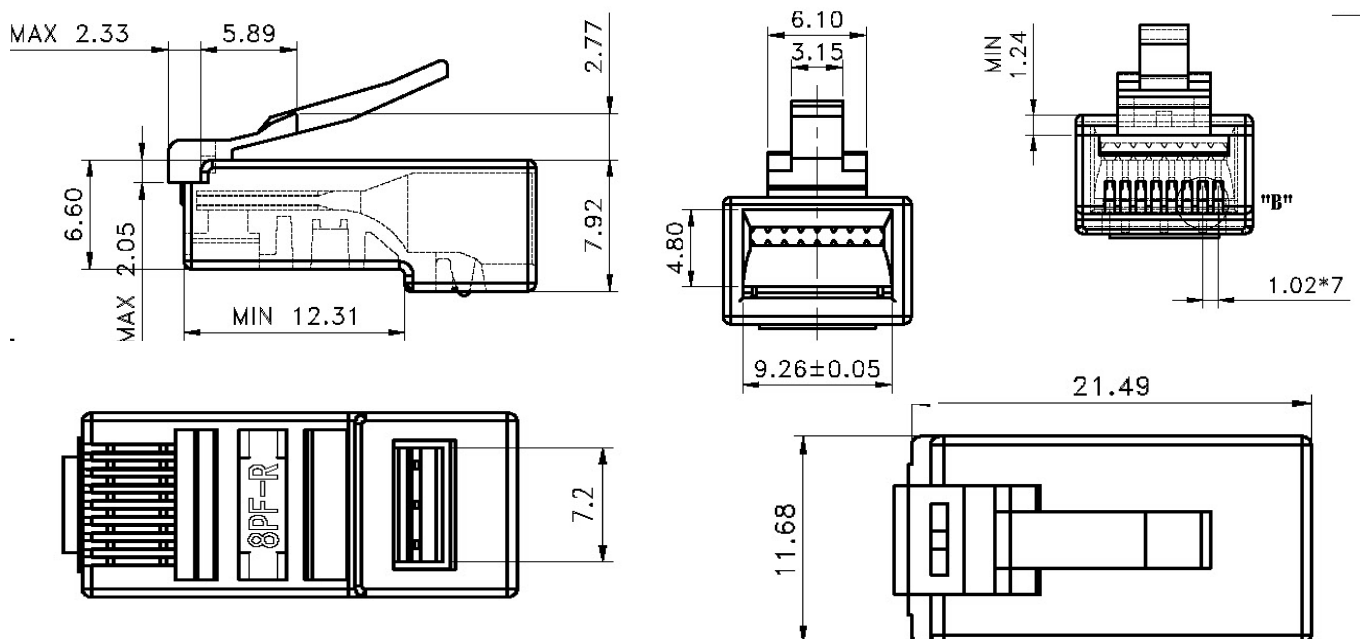
FEATURES

For data communications, telephones, cellular mobile transceivers and computers. Plugs with 50µ" gold plated contacts are available. Packed in bags of 20, 50, 100, and jars of 100.

Plugs for solid/stranded conductors with round cord entry are stocked.

CAT#	TYPE	CONDUCTOR TYPE	PACKING
P2057UB	Cat5e	Round / Solid / Stranded	20 Piece Bag
P2058UB	Cat5e	Round / Solid / Stranded	50 Piece Bag
P2059UB	Cat5e	Round / Solid / Stranded	100 Piece Bag
P2059UJ	Cat5e	Round / Solid / Stranded	100 Piece Jar

DESIGN & CONSTRUCTION



To view Access' extensive ranges go to: www.accesscomms.com.au

Sydney (Head Office)
Brisbane Sales
Melbourne Office
Adelaide Office

Unit 1, 29 Prince William Drive, Seven Hills NSW 2147
28 The Gateway, Broadmeadows VIC 3047
71 Anzac Highway, Ashford SA 5035

Phone: (02) 9414 8888
Phone: (07) 3308 5555
Phone: (03) 9330 8333
Phone: (08) 8338 5540

sales@accesscomms.com.au
brisbane@accesscomms.com.au
melbourne@accesscomms.com.au
adelaide@accesscomms.com.au

Cat5e Modular Plugs Round/Solid/Stranded

P2057UB, P2058UB, P2059UB, P2059UJ

ELECTRICAL SPECIFICATIONS

UL Applications	250 Volts AC Max at 2 AMPS
Dielectric Withstanding Voltage	1000V AC. 60 Sec
Insulation Resistance	500 MΩ
Termination	20 MΩ Max

MATERIAL SPECIFICATIONS

Housing	Polycarbonate UL 94V-2
Colour	Transparent
Contact Blade	Copper Alloy
Gold Plating	3μ" ~ 50μ" are available

MECHANICAL SPECIFICATIONS

Strain Relief	20 Pound MIN
Durability	1200 Mating Cycles

USAGE SPECIFICATIONS

Suitable for stranded and solid wire
23 AWG ~ 26 AWG (it can be used for the wire OC from Ø 0.96 ~ Ø 1.02)

PRODUCT PACKAGING



To view Access' extensive ranges go to: www.accesscomms.com.au

Sydney (Head Office)
Brisbane Sales
Melbourne Office
Adelaide Office

Unit 1, 29 Prince William Drive, Seven Hills NSW 2147
28 The Gateway, Broadmeadows VIC 3047
71 Anzac Highway, Ashford SA 5035

Phone: (02) 9414 8888
Phone: (07) 3308 5555
Phone: (03) 9330 8333
Phone: (08) 8338 5540

sales@accesscomms.com.au
brisbane@accesscomms.com.au
melbourne@accesscomms.com.au
adelaide@accesscomms.com.au