

## 6P4C Modular Plugs Round/Solid/Flat/Stranded

P2013, P2014, P2015, P2133-100



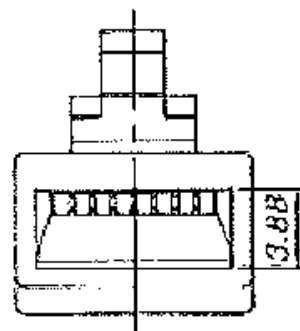
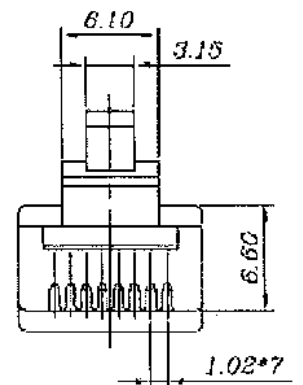
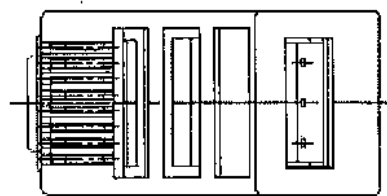
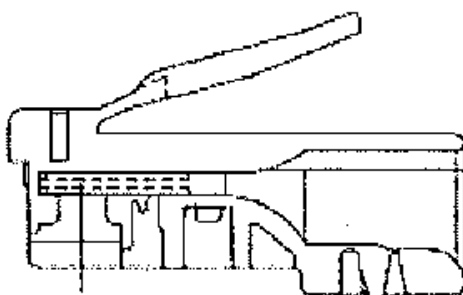
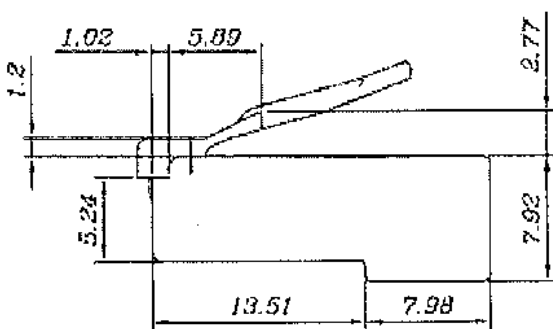
### FEATURES

Generally used for termination of line cords. Plugs with 50 $\mu$ ", 30 $\mu$ ", 15 $\mu$ " or 6 $\mu$ " gold plated contacts are available.

Packed in bags of 20, 50, 100 or bulk. Plugs for stranded or solid conductors with round or flat cord entry are stocked.

CAT#	TYPE	CONDUCTOR TYPE	PACKING
P2013	6P4C	Flat / Stranded	20 Pieces
P2014	6P4C	Flat / Stranded	50 Pieces
P2015	6P4C	Flat / Stranded	100 Pieces
P2138-100	6P4C	Round/ Solid	100 Pieces

### DESIGN & CONSTRUCTION



To view Access' extensive ranges go to: [www.accesscomms.com.au](http://www.accesscomms.com.au)

Sydney (Head Office)  
Brisbane Sales  
Melbourne Office  
Adelaide Office

Unit 1, 29 Prince William Drive, Seven Hills NSW 2147  
28 The Gateway, Broadmeadows VIC 3047  
71 Anzac Highway, Ashford SA 5035

Phone: (02) 9414 8888  
Phone: (07) 3308 5555  
Phone: (03) 9330 8333  
Phone: (08) 8338 5540

sales@accesscomms.com.au  
brisbane@accesscomms.com.au  
melbourne@accesscomms.com.au  
adelaide@accesscomms.com.au

## 6P4C Modular Plugs Round/Solid/Flat/Stranded

P2013, P2014, P2015, P2133-100

### ELECTRICAL SPECIFICATIONS

UL Applications	250 Volts AC Max at 2 AMPS
Dielectric Withstanding Voltage	500V AC
Insulation Resistance	100 MΩ
Termination	Resistance 20 MΩ Max after environmental testing

### MECHANICAL SPECIFICATIONS

Cable to Plug Tensile Strength	19.6N / PCS Min
Durability	200 Mating Cycles

### MATERIAL SPECIFICATIONS

Housing	Polycarbonate UL 94V-0
Colour	Transparent
Contact Blade	Copper Alloy
Conductor	Stranded 24AWG, 26AWG, 28AWG
Gold Plating	30μ

### USAGE SPECIFICATIONS

Suitable for stranded and solid wire  
24 AWG ~ 28 AWG

## PRODUCT PACKAGING



To view Access' extensive ranges go to: [www.accesscomms.com.au](http://www.accesscomms.com.au)

Sydney (Head Office)  
Brisbane Sales  
Melbourne Office  
Adelaide Office

Unit 1, 29 Prince William Drive, Seven Hills NSW 2147  
28 The Gateway, Broadmeadows VIC 3047  
71 Anzac Highway, Ashford SA 5035

Phone: (02) 9414 8888  
Phone: (07) 3308 5555  
Phone: (03) 9330 8333  
Phone: (08) 8338 5540

[sales@accesscomms.com.au](mailto:sales@accesscomms.com.au)  
[brisbane@accesscomms.com.au](mailto:brisbane@accesscomms.com.au)  
[melbourne@accesscomms.com.au](mailto:melbourne@accesscomms.com.au)  
[adelaide@accesscomms.com.au](mailto:adelaide@accesscomms.com.au)