

F-Fem RG6 Quad Compression

P0723BLU



FEATURES

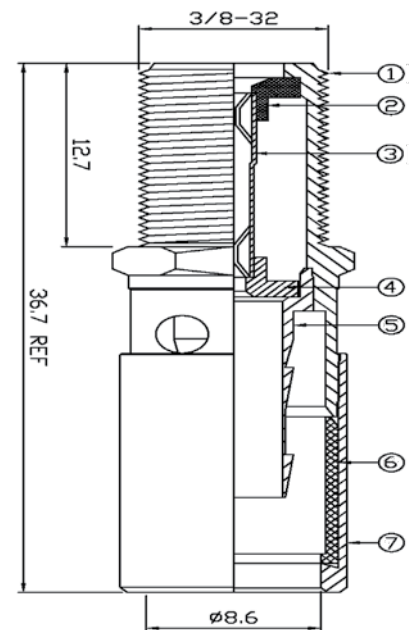
High performance female F-Type compression connector for trouble free professional water-proof coaxial connections.

Blue coloured tip indicates compatability with RG6/U quad-shield coaxial cable.

Attach using our coaxial cable stripper and professional ratchet compression connector crimp tool T0040.

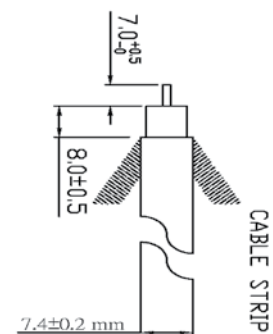
MATERIAL CHARACTERISTICS

1	Body	Brass	Nickel
2	Insulation	Nylon 66	Blue
3	Contact	Becu	Tin
4	Insulation	Nylon 66	Blue
5	Tube	Brass	Nickel
6	Clip	PE	Blue
7	Shell	Brass	Nickel



ELECTRICAL CHARACTERISTICS

Impedance	75 OHM
Return Loss	≥ -30 dB @ 1 GHz
	≥ -23 dB @ 3 GHz
Insertion	< -0.1 dB @ 1 GHz
	< -0.3 dB @ 3 GHz



To view Access' extensive ranges go to: www.accesscomms.com.au

Sydney (Head Office)
Brisbane Sales
Melbourne Office
Adelaide Office

Unit 1, 29 Prince William Drive, Seven Hills NSW 2147
28 The Gateway, Broadmeadows VIC 3047
71 Anzac Highway, Ashford SA 5035

Phone: (02) 9414 8888
Phone: (07) 3308 5555
Phone: (03) 9330 8333
Phone: (08) 8338 5540

sales@accesscomms.com.au
brisbane@accesscomms.com.au
melbourne@accesscomms.com.au
adelaide@accesscomms.com.au

F-Fem RG6 Quad Compression

P0723BLU

SKU	COLOUR	TYPE
P0723BLU	Blue	F-FEM

MECHANICAL SPECIFICATION

1.	Pull Strength more then 55 LBS between connector with cable
2.	It will be Water-Proof on Mark 6

To view Access' extensive ranges go to: www.accesscomms.com.au

Sydney (Head Office)
Brisbane Sales
Melbourne Office
Adelaide Office

Unit 1, 29 Prince William Drive, Seven Hills NSW 2147
28 The Gateway, Broadmeadows VIC 3047
71 Anzac Highway, Ashford SA 5035

Phone: (02) 9414 8888
Phone: (07) 3308 5555
Phone: (03) 9330 8333
Phone: (08) 8338 5540

sales@accesscomms.com.au
brisbane@accesscomms.com.au
melbourne@accesscomms.com.au
adelaide@accesscomms.com.au