

F-Fem RG6 Quad Compression

P0723BLU



FEATURES

High performance female F-Type compression connector for trouble free professional water-proof coaxial connections.

Blue coloured tip indicates compatibility with RG6/U quad-shield coaxial cable.

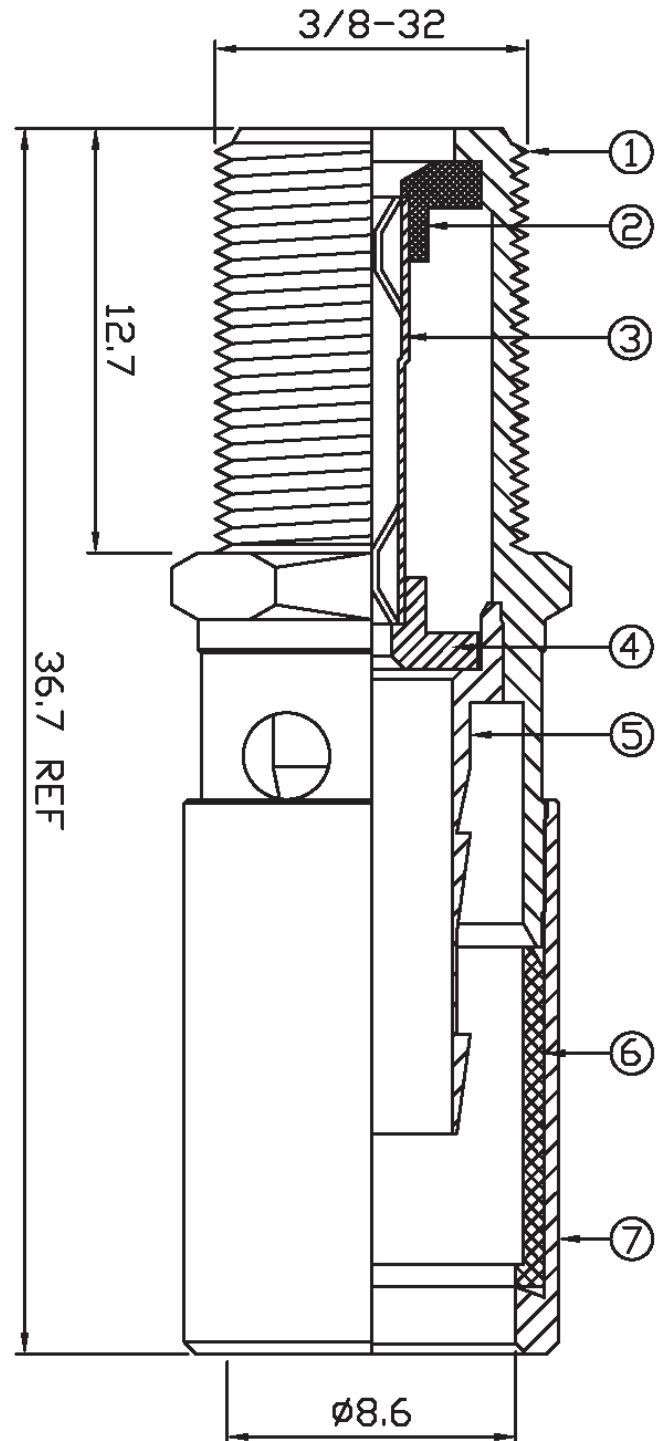
Attach using our coaxial cable stripper and professional ratchet compression connector crimp tool T0040.

MATERIAL CHARACTERISTICS

1	BODY	Brass	Nickel
2	INSULATION	Nylon 66	Blue
3	CONTACT	Becu	Tin
4	INSULATION	Nylon 66	Blue
5	TUBE	Brass	Nickel
6	CLIP	PE	Blue
7	SHELL	Brass	Nickel

ELECTRICAL CHARACTERISTICS

Impedance	75 OHM
Return Loss	≥ -30 dB @ 1 GHz
	≥ -23 dB @ 3 GHz
Insertion	< -0.1 dB @ 1 GHz
	< -0.3 dB @ 3 GHz



To view Access' extensive ranges go to: www.accesscomms.com.au

Sydney (Head Office)
Brisbane Office
Melbourne Office
Adelaide Office

33-35 Alleyne Street, Chatswood, NSW, 2067
28 The Gateway, Broadmeadows, VIC, 3047
71 Anzac Highway, Ashford, SA, 5035

Phone: (02) 9414 8888
Phone: (07) 3308 5555
Phone: (03) 9330 8333
Phone: (08) 8338 5540

Fax: (02) 9414 8800
Fax: (07) 3308 5500
Fax: (03) 9330 8330

websales@accesscomms.com.au
brisbane@accesscomms.com.au
melbourne@accesscomms.com.au
adelaide@accesscomms.com.au

F-Fem RG6 Quad Compression

P0723BLU

DATAMASTER

FEATURES

SKU	COLOUR	TYPE
P0723BLU	Blue	F-FEM

MECHANICAL SPECIFICATION

1.	Pull Strength more then 55 LBS between connector with cable
2.	It will be Water-Proof on Mark 6

P0723BLU



To view Access' extensive ranges go to: www.accesscomms.com.au

Sydney (Head Office)
Brisbane Office
Melbourne Office
Adelaide Office

33-35 Alleyne Street, Chatswood, NSW, 2067
28 The Gateway, Broadmeadows, VIC, 3047
71 Anzac Highway, Ashford, SA, 5035

Phone: (02) 9414 8888
Phone: (07) 3308 5555
Phone: (03) 9330 8333
Phone: (08) 8338 5540

Fax: (02) 9414 8800
Fax: (07) 3308 5500
Fax: (03) 9330 8330

websales@accesscomms.com.au
brisbane@accesscomms.com.au
melbourne@accesscomms.com.au
adelaide@accesscomms.com.au