

F-Type Compression Connectors

P0722BLU, P0722RED, P0722YEL



FEATURES

High performance F-type compression connector for trouble free professional water-proof coaxial connections. Available to suit RG59/U or RG6/U dual-shield and RG6/U quad-shield cables.

Colour coded bands are used to identify connector/cable compatibility. For best performance use only copper-clad steel cable. Attach using our coaxial cable stripper and professional ratchet compression connector crimp tool T0040.

SKU	COLOUR	CABLE
P0722BLU	BLUE	RG6 Quad
P0722RED	RED	RG59
P0722YEL	YELLOW	RG6 Dual

MECHANICAL SPECIFICATIONS

1. Pull strength more then 55LBS between connector with cable.
2. It will be water-proof on Mark 2 and 6.

F-Type Compression Connectors

P0722BLU, P0722RED, P0722YEL

P0722BLU

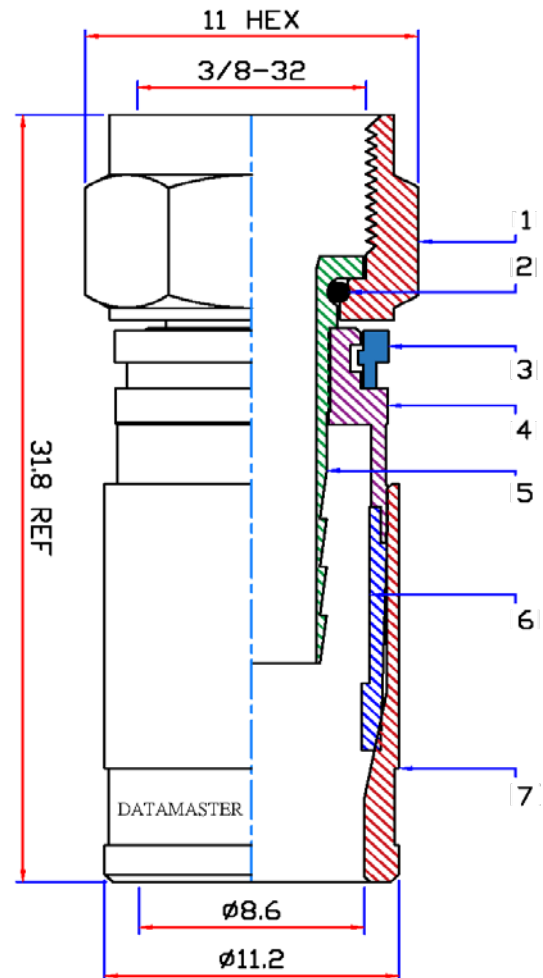


MATERIAL CHARACTERISTICS

1	Nut	Brass / Nickel Plated
2	O-Ring	Rubber / Black Colour
3	Colour Band	P.E - Blue Colour
4	Body	Brass / Nickel Plated
5	Contact	Brass / Nickel Plated
6	Ring	P.A / Nature
7	Body	Brass / Nickel Plated

ELECTRICAL CHARACTERISTICS

Impedance	75 OHM
Return Loss	≥ -30 dB @ 1 GHz
	≥ -23 dB @ 3 GHz
Insertion	< -0.1 dB @ 1 GHz
	< -0.3 dB @ 3 GHz



To view Access' extensive ranges go to: www.accesscomms.com.au

Sydney (Head Office)
Brisbane Sales
Melbourne Office
Adelaide Office

Unit 1, 29 Prince William Drive, Seven Hills NSW 2147
28 The Gateway, Broadmeadows VIC 3047
71 Anzac Highway, Ashford SA 5035

Phone: (02) 9414 8888
Phone: (07) 3308 5555
Phone: (03) 9330 8333
Phone: (08) 8338 5540

sales@accesscomms.com.au
brisbane@accesscomms.com.au
melbourne@accesscomms.com.au
adelaide@accesscomms.com.au

F-Type Compression Connectors

P0722BLU, P0722RED, P0722YEL

P0722YEL

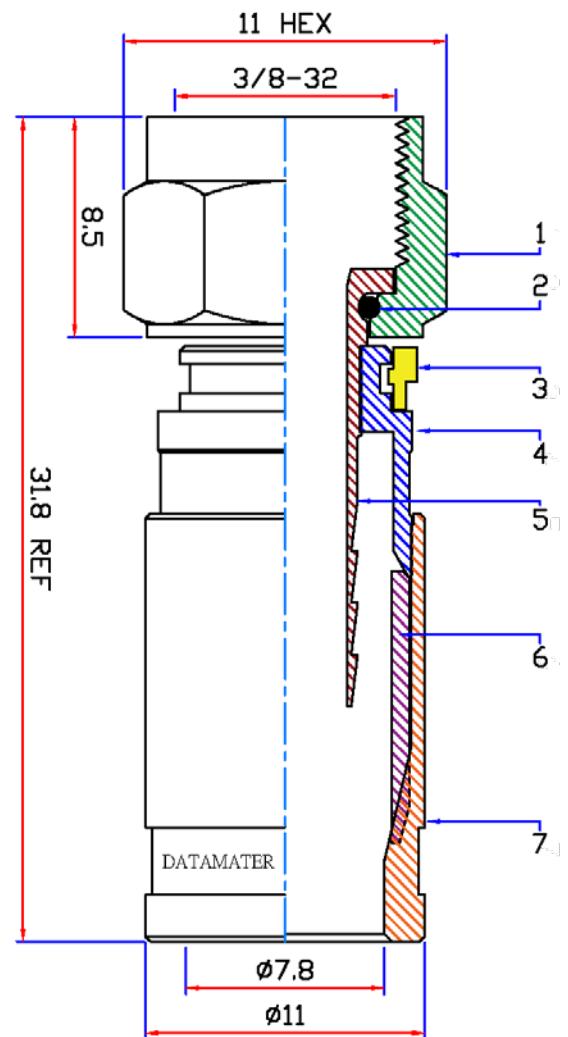


MATERIAL CHARACTERISTICS

1	Nut	Brass / Nickel Plated
2	O-Ring	Rubber / Black Colour
3	Colour Band	P.E - Yellow Colour
4	Body	Brass / Nickel Plated
5	Contact	Brass / Nickel Plated
6	Ring	P.A / Nature
7	Body	Brass / Nickel Plated

ELECTRICAL CHARACTERISTICS

Impedance	75 OHM
Return Loss	≥ -30 dB @ 1 GHz
	≥ -23 dB @ 3 GHz
Insertion	< -0.1 dB @ 1 GHz
	< -0.3 dB @ 3 GHz



To view Access' extensive ranges go to: www.accesscomms.com.au

Sydney (Head Office)
Brisbane Sales
Melbourne Office
Adelaide Office

Unit 1, 29 Prince William Drive, Seven Hills NSW 2147
28 The Gateway, Broadmeadows VIC 3047
71 Anzac Highway, Ashford SA 5035

Phone: (02) 9414 8888
Phone: (07) 3308 5555
Phone: (03) 9330 8333
Phone: (08) 8338 5540

sales@accesscomms.com.au
brisbane@accesscomms.com.au
melbourne@accesscomms.com.au
adelaide@accesscomms.com.au

F-Type Compression Connectors

P0722BLU, P0722RED, P0722YEL

P0722RED

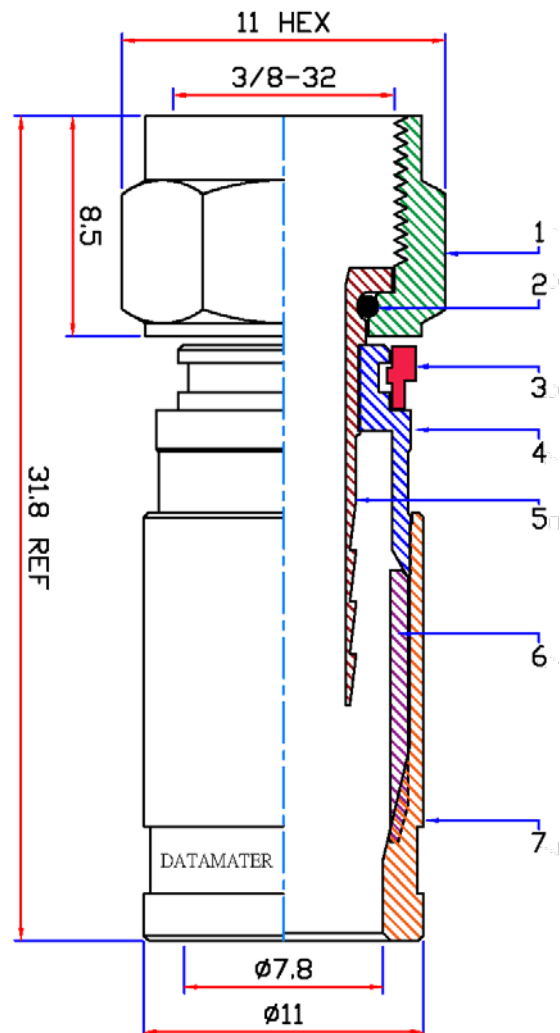


MATERIAL CHARACTERISTICS

1	Nut	Brass / Nickel Plated
2	O-Ring	Rubber / Black Colour
3	Colour Band	P.E - Red Colour
4	Body	Brass / Nickel Plated
5	Contact	Brass / Nickel Plated
6	Ring	P.A / Nature
7	Body	Brass / Nickel Plated

ELECTRICAL CHARACTERISTICS

Impedance	75 OHM
Return Loss	≥ -30 dB @ 1 GHz
	≥ -23 dB @ 3 GHz
Insertion	< -0.1 dB @ 1 GHz
	< -0.3 dB @ 3 GHz



To view Access' extensive ranges go to: www.accesscomms.com.au

Sydney (Head Office)
Brisbane Sales
Melbourne Office
Adelaide Office

Unit 1, 29 Prince William Drive, Seven Hills NSW 2147
28 The Gateway, Broadmeadows VIC 3047
71 Anzac Highway, Ashford SA 5035

Phone: (02) 9414 8888
Phone: (07) 3308 5555
Phone: (03) 9330 8333
Phone: (08) 8338 5540

sales@accesscomms.com.au
brisbane@accesscomms.com.au
melbourne@accesscomms.com.au
adelaide@accesscomms.com.au