

BNC-M RG59/U Crimp

P0702



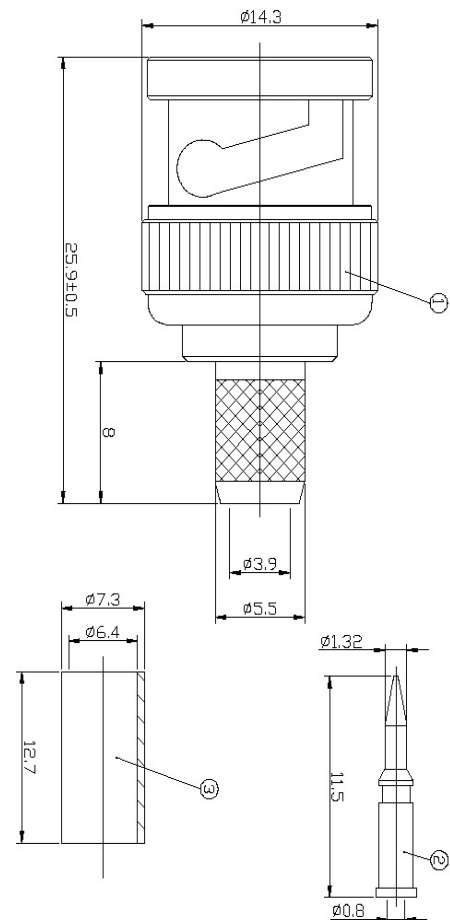
FEATURES

BNC crimp plug suitable for RG59/U coaxial cables. The 3-piece design has a separate crimp-pin for trouble free connection to either solid copper or copper-clad steel cables. Attach using our coaxial cable stripper and professional ratchet crimp tool T0038 or T0039 using the 0.068" hexagonal die for the pin and the 0.255" or 0.262" hexagonal die for the sleeve.

ELECTRICAL CHARACTERISTICS

NO	DESCRIPTION	MATERIAL	FINISH	QTY
1	Body	Zinc	Nickel	1
	Washer	Steel	Nickel	1
	Spring	Steel	None	1
	Out contact	Zinc	Nickel	1
	Rubber washer	Plastic	None	1
	Insulator	Plastic	None	1
	2	Centre contact	Brass	Gold
3	Sleeve	Zinc	Nickel	1

TOLERANCES	
SCALE	ISSUE
0.5 - 5	= + 0.2
5 - 30	= + 0.4
30 - 120	= + 0.6
120 - 315	= + 1
315 - 1000	= + 1.6
1000 - 2000	= + 2.4



To view Access' extensive ranges go to: www.accesscomms.com.au

Sydney (Head Office)
Brisbane Sales
Melbourne Office
Adelaide Office

Unit 1, 29 Prince William Drive, Seven Hills NSW 2147
28 The Gateway, Broadmeadows VIC 3047
71 Anzac Highway, Ashford SA 5035

Phone: (02) 9414 8888
Phone: (07) 3308 5555
Phone: (03) 9330 8333
Phone: (08) 8338 5540

sales@accesscomms.com.au
brisbane@accesscomms.com.au
melbourne@accesscomms.com.au
adelaide@accesscomms.com.au