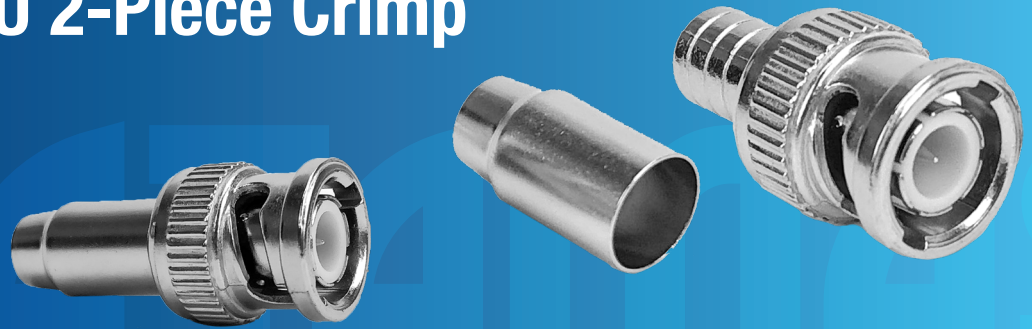


## BNC-M RG59/U 2-Piece Crimp

P0701-059



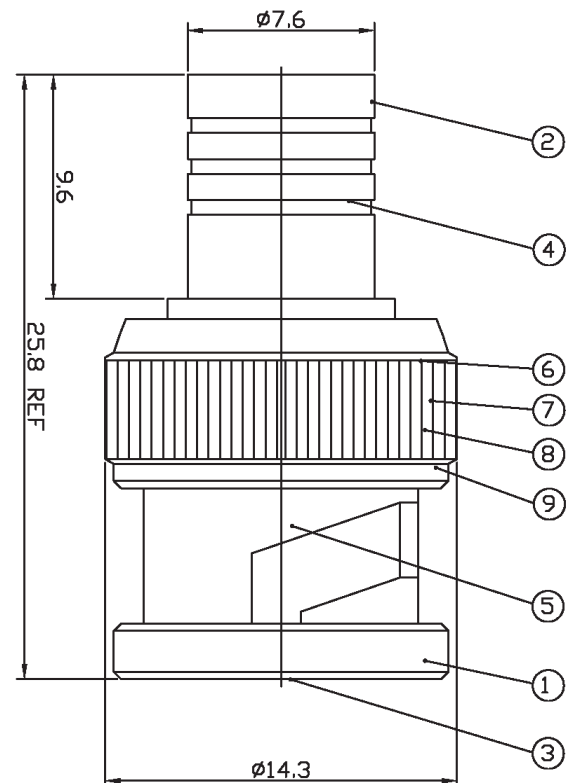
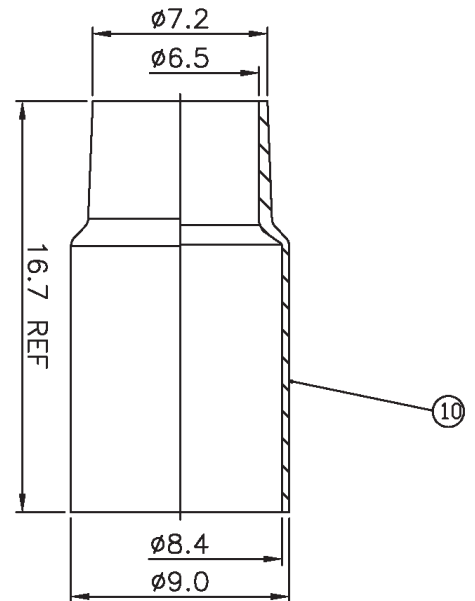
### FEATURES

BNC crimp plug suitable for RG59/U coaxial cables. The 2-piece design has an integrated gold plated pin for trouble free connection to either solid copper cable types.

The P0701 crimp plug can be attached to RG59/U copper core or copper clad steel coaxial cables with our professional ratchet crimp tool T0039 using the .324" die.

### MATERIAL CHARACTERISTICS

1	SHELL	ZINC	NICKEL
2	BODY	ZINC	NICKEL
3	PIN	BRASS	GOLD
4	INSULATOR	PLASTIC	WHITE
5	INSULATOR	PLASTIC	WHITE
6	WASHER	IRON	NICKEL
7	SPRING	SK-5	NICKEL
8	WASHER	IRON	NICKEL
9	GASKET	RUBBER	RED
10	RING	BRASS	NICKEL



### ELECTRICAL CHARACTERISTICS

0.5 - 5	=	± 0.2
5 - 30	=	± 0.4
30 - 120	=	± 0.6
120 - 315	=	± 1.0
315 - 1000	=	± 1.6
1000 - 2000	=	± 2.4

To view Access' extensive ranges go to: [www.accesscomms.com.au](http://www.accesscomms.com.au)

**Sydney (Head Office)**  
**Brisbane Office**  
**Melbourne Office**  
**Adelaide Office**

33-35 Alleyne Street, Chatswood, NSW, 2067  
 28 The Gateway, Broadmeadows, VIC, 3047  
 71 Anzac Highway, Ashford, SA, 5035

Phone: (02) 9414 8888  
 Phone: (07) 3308 5555  
 Phone: (03) 9330 8333  
 Phone: (08) 8338 5540

Fax: (02) 9414 8800  
 Fax: (07) 3308 5500  
 Fax: (03) 9330 8330

[websales@accesscomms.com.au](mailto:websales@accesscomms.com.au)  
[brisbane@accesscomms.com.au](mailto:brisbane@accesscomms.com.au)  
[melbourne@accesscomms.com.au](mailto:melbourne@accesscomms.com.au)  
[adelaide@accesscomms.com.au](mailto:adelaide@accesscomms.com.au)