

## BNC- RG6 /U 2-Piece Crimp

P0701-006, P0701-059



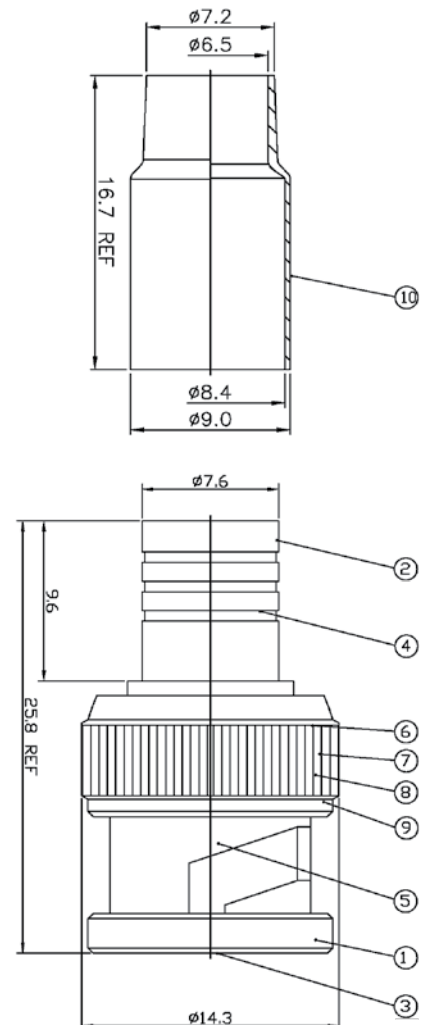
### FEATURES

BNC crimp plug suitable for RG6/U or RG59/U coaxial cables. The 2-piece design has an integrated gold plated pin for trouble free connection to either solid copper or copper-clad steel cable types.

The P0701 crimp plug can be attached to RG6/U or RG59/U copper core or copper clad steel coaxial cables with our professional ratchet crimp tool T0039 using the .324" die.

### MATERIAL CHARACTERISTICS

|    |           |         |        |
|----|-----------|---------|--------|
| 1  | Shell     | Zinc    | Nickel |
| 2  | Body      | Zinc    | Nickel |
| 3  | PIN       | Brass   | Gold   |
| 4  | Insulator | Plastic | White  |
| 5  | Insulator | Plastic | White  |
| 6  | Washer    | Iron    | Nickel |
| 7  | Spring    | SK-5    | Nickel |
| 8  | Washer    | Iron    | Nickel |
| 9  | Gasket    | Rubber  | Red    |
| 10 | Ring      | Brass   | Nickel |



### ELECTRICAL CHARACTERISTICS

|             |   |           |
|-------------|---|-----------|
| 0.5 - 5     | = | $\pm 0.2$ |
| 5 - 30      | = | $\pm 0.4$ |
| 30 - 120    | = | $\pm 0.6$ |
| 120 - 315   | = | $\pm 1.0$ |
| 315 - 1000  | = | $\pm 1.6$ |
| 1000 - 2000 | = | $\pm 2.4$ |

To view Access' extensive ranges go to: [www.accesscomms.com.au](http://www.accesscomms.com.au)

Sydney (Head Office)  
Brisbane Sales  
Melbourne Office  
Adelaide Office

Unit 1, 29 Prince William Drive, Seven Hills NSW 2147  
28 The Gateway, Broadmeadows VIC 3047  
71 Anzac Highway, Ashford SA 5035

Phone: (02) 9414 8888  
Phone: (07) 3308 5555  
Phone: (03) 9330 8333  
Phone: (08) 8338 5540

sales@accesscomms.com.au  
brisbane@accesscomms.com.au  
melbourne@accesscomms.com.au  
adelaide@accesscomms.com.au