

Nursecall Cord Button

K3811, K3811-005

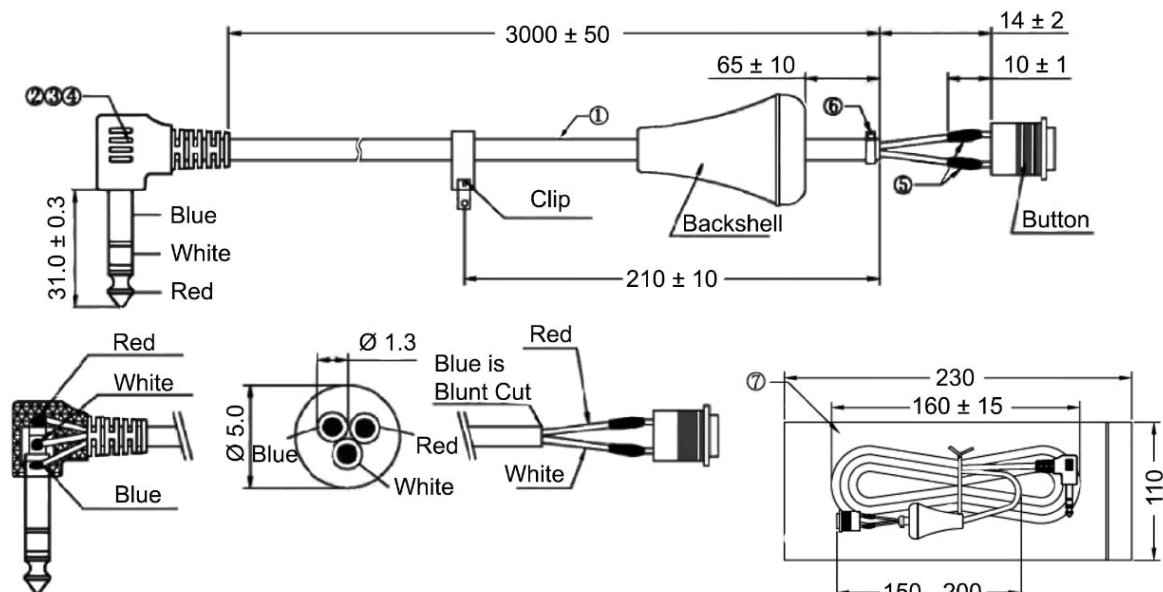


FEATURES

- Nursecall button with soft PVC pendant for hospital and aged care services.
- Plug type and wiring can be custom made to suit host equipment.
- Standard colour is white cable with green button.

CAT#	LENGTH	COLOUR
K3811	3.0 Metre	White
K3811-005	5.0 Metre	White

DESIGN & CONSTRUCTION



To view Access' extensive ranges go to: www.accesscomms.com.au

Sydney (Head Office)
Brisbane Sales
Melbourne Office
Adelaide Office

Unit 1, 29 Prince William Drive, Seven Hills NSW 2147
28 The Gateway, Broadmeadows VIC 3047
71 Anzac Highway, Ashford SA 5035

Phone: (02) 9414 8888
Phone: (07) 3308 5555
Phone: (03) 9330 8333
Phone: (08) 8338 5540

sales@accesscomms.com.au
brisbane@accesscomms.com.au
melbourne@accesscomms.com.au
adelaide@accesscomms.com.au

Nursecall Cord Button

K3811, K3811-005

1	Cable	Jacket	Outside diameter 5.0 ± 0.1mm PVC	White
		Insulation	Outside diameter: 1.3mm	
			Colours: Red, white, blue	
		Conductors	22AWG (27 x 0.12mm) bare copper	
2, 3, 4	Plug	Type	6.3mm mono phono	White
		Length	44mm	
		Barrel Length	31.0 ± 0.3mm	
		Material	PE/50P PVC	
5	Insulation		3.0mm diameter heatshrink, 8mm long	Black
6	Strain relief		Ziplock tie	White
7	Packing		0.08 x 230 x 110mm PVC bag	Transparent