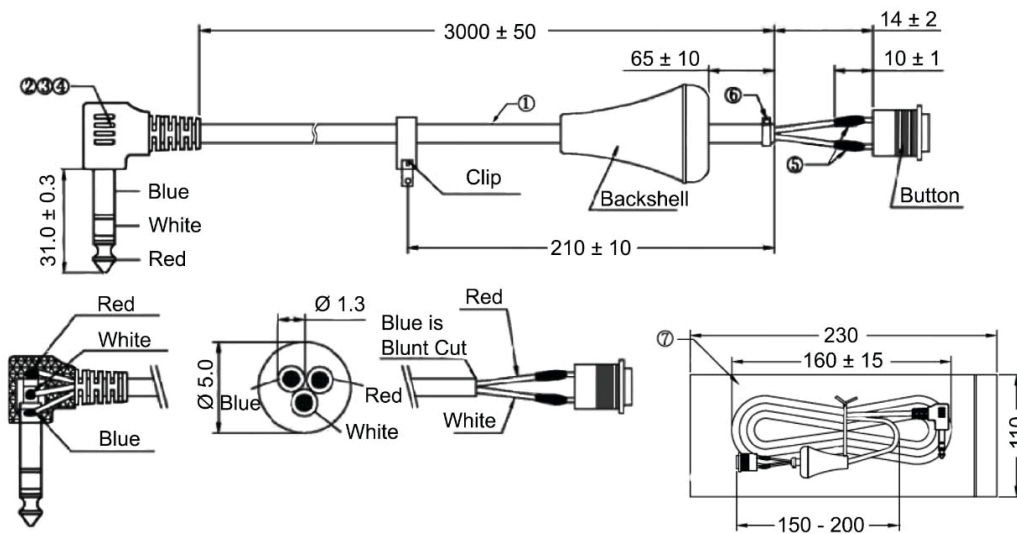


DATAMASTER® Nursecall Pendant

K3811



DIAGRAM



PACKING

1 piece per bag / 100 pieces per box.

CONSTRUCTION

ITEM	DESCRIPTION	COLOUR	SPECIFICATION	
1	cable	white	Jacket	Outside diameter 5.0 ± 0.1mm PVC
			Insulation	Outside diameter: 1.3mm
				Colors: Red / White / Blue
			Conductors	22AWG (27 x 0.12mm) bare copper
2, 3, 4	Plug	White	Type	6.3mm Mono Phono
			Length	44mm
			Barrel Length	31.0 ± 0.3mm
			Material	PE / 50P PVC
5	Insulation	Black	3.0mm diameter Heatshrink, 8mm long	
6	Strain Relief	White	Ziplock tie	
7	Packing	Transparent	0.08 x 230 x 110mm PVC Bag	

DATAMASTER

POWERMASTER

TELEMASTER

Sydney (Head Office)
33-35 Alleyne Street,
Chatswood NSW 2067
Phone: (02) 9414 8888
Fax: (02) 9414 8800

Melbourne Office
24 Mareno Road,
Tullamarine VIC 3043
Phone: (03) 9330 8333
Fax: (03) 9330 8330

Brisbane Office
Unit 4, 7 Luke Street,
Lytton QLD 4178
Phone: (07) 3308 5555
Fax: (07) 3308 5500

Adelaide Office
427 Portrush Road,
Toorak Gardens SA 5065
Phone: (08) 8338 5540
Mobile: 0438 245 116