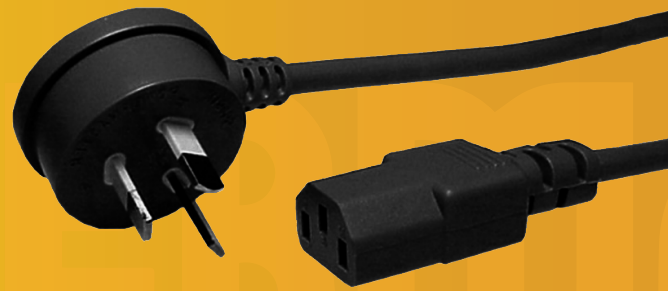


IEC C13 Power Cord with Right Angle Plug K3785-055



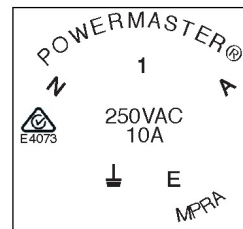
FEATURES

A 3-core flex fitted with right-angle 3 pin Australian mains plug with insulated pins compliant with AS/NZS3112 and an IEC-C13 connector.

Electrical Safety Authority Approved.

PLUG & CONNECTOR MARKS

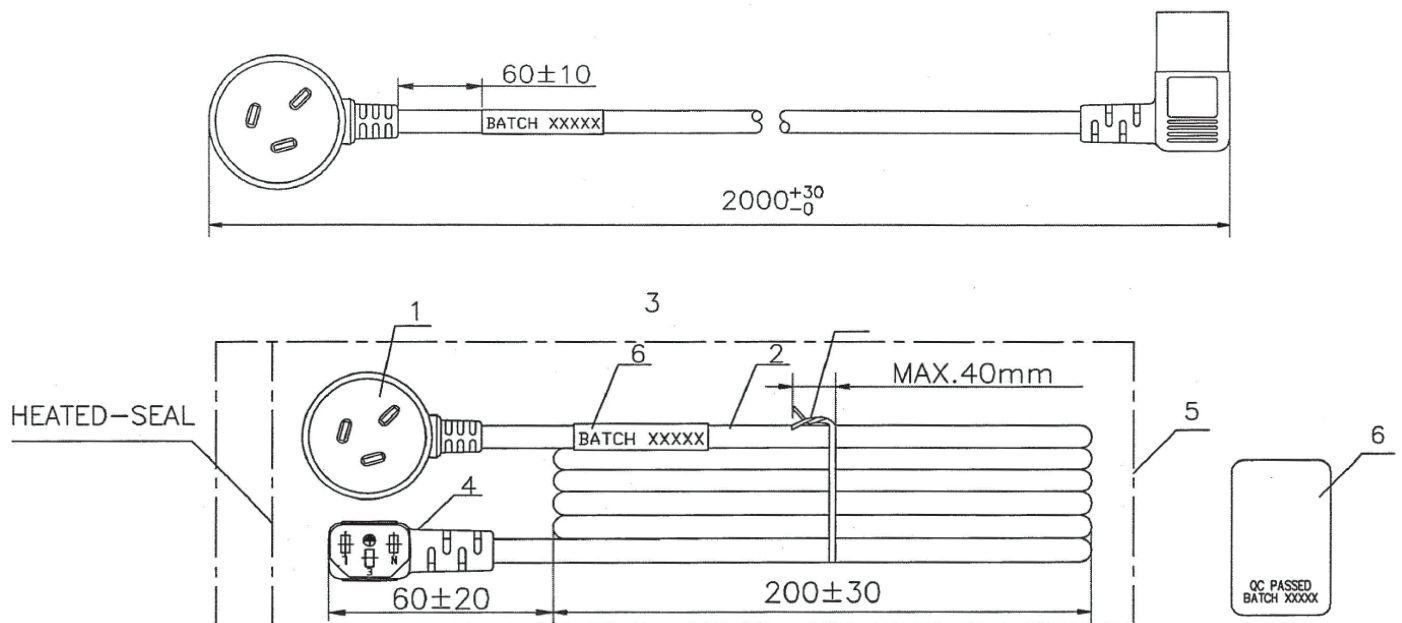
PLUG MARK



CONNECTOR MARK



PRODUCT DRAWING

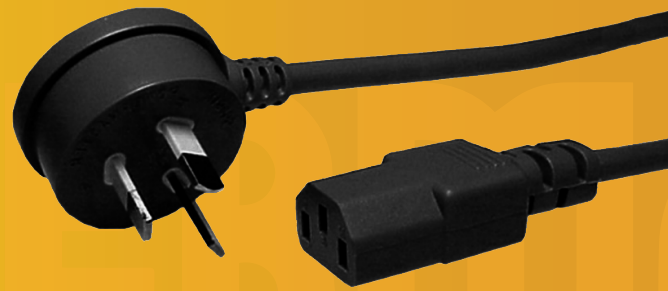


1. PVC MOLDED PLUG : (BLACK) *POWERMASTER* MPRA
2. PVC FLEXIBLE CORD: GD-3 3x0.75mm² (BLACK)
3. ELLIPTIC TIE (BLACK)
 - a. Tied Twice with PVC Elliptic-Tie
 - b. Elliptic-Tie Loose End Section must not exceed 40mm
4. PVC MOLDED CONNECTOR : (BLACK) *POWERMASTER*C13-RL
5. PE SACK: 30p*130*0.05
6. LABEL: 40*25mm

To view Access' extensive ranges go to: www.accesscomms.com.au

POWERMASTER

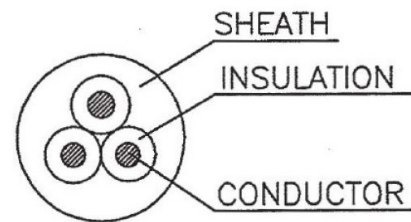
IEC C13 Power Cord with Right Angle Plug K3785-055



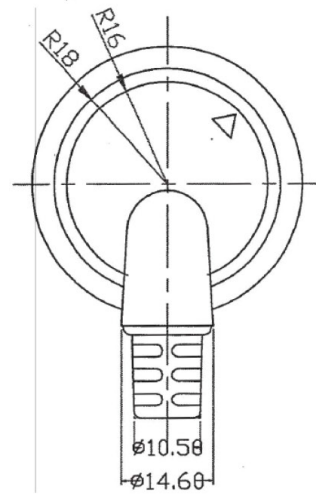
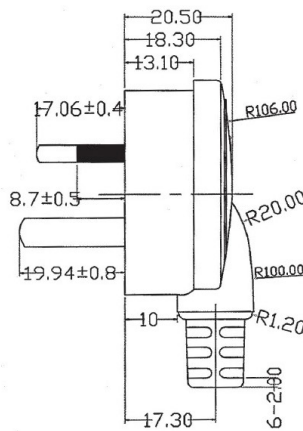
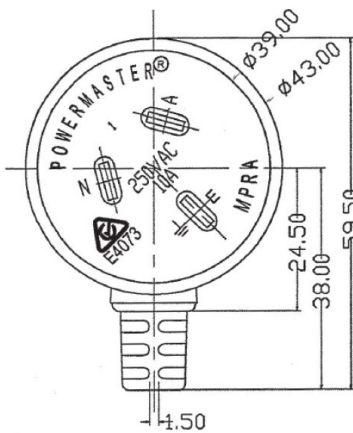
CORD MARKING

POWERMASTER® GD-3 3X0.75mm² AV-75 V-75 75°C ORDINARY DUTY 250-440V
NSW18155 AS/NZS3191

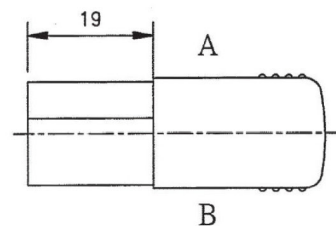
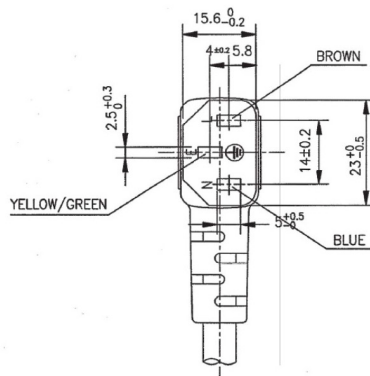
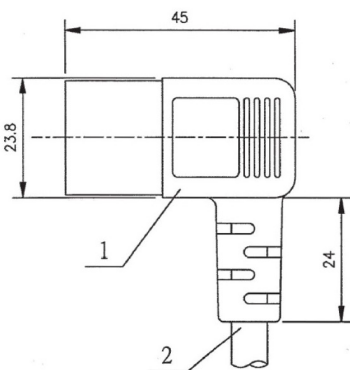
CORD SECTION



PRODUCT DRAWING



TOLERANCE:
>20:±2.0
≤20:±1.0
≤10:±0.5
≤1.0:±0.3



1. PVC CONNECTOR BODY
2. PVC FLEXIBLE CORD

TOLERANCE:
>20:±2.0
<20:±1.0
~10:±0.5
~1.0:±0.3

To view Access' extensive ranges go to: www.accesscomms.com.au

Sydney (Head Office)
Brisbane Office
Melbourne Office
Adelaide Office

Unit 1, 29 Prince William Drive, Seven Hills NSW, 2147
28 The Gateway, Broadmeadows, VIC, 3047
71 Anzac Highway, Ashford, SA, 5035

Phone: (02) 9414 8888
Phone: (07) 3308 5555
Phone: (03) 9330 8333
Phone: (08) 8338 5540

Fax: (02) 9414 8800
Fax: (07) 3308 5500
Fax: (03) 9330 8330

websales@accesscomms.com.au
brisbane@accesscomms.com.au
melbourne@accesscomms.com.au
adelaide@accesscomms.com.au