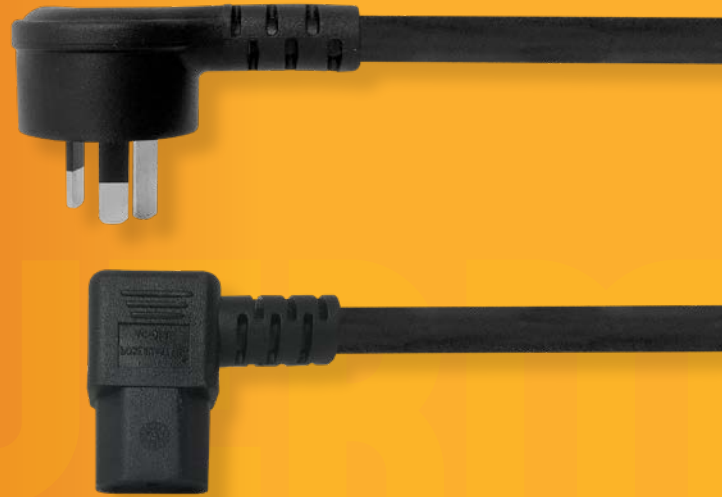


## IEC C13 Power Cord with Right Angle Plug

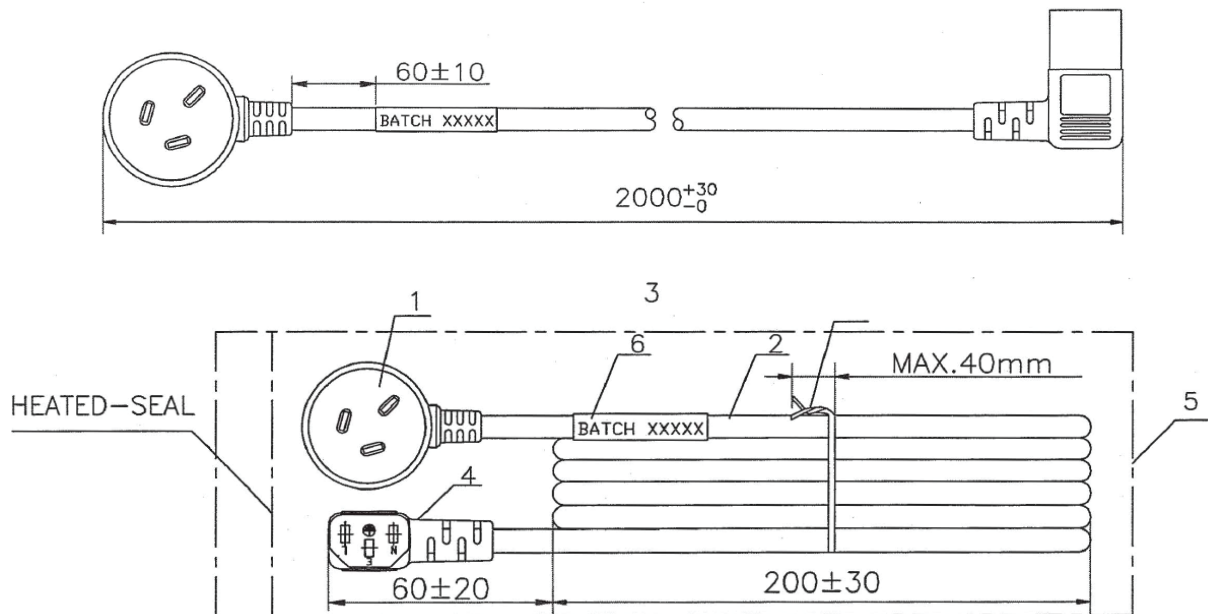
K3785-055



### FEATURES

A 3-core flex fitted with right-angle 3 pin Australian mains plug with insulated pins compliant with AS/NZS3112 and an IEC-C13 connector. Electrical Safety Authority Approved.

### DESIGN & CONSTRUCTION



1	<b>PVC Moulded Plug (Black)</b>	*POWERMASTER* MPRA
2	<b>PVC Flexible Cord</b>	GD - 3 3x0.75mm <sup>2</sup> (Black)
3	<b>Elliptic Tie (Black)</b>	Tied twice with PVC elliptic tie Elliptic tie loose end section must not exceed 40mm
4	<b>PVC Moulded Connector</b>	(Black) *POWERMASTER* C13-RL
5	<b>PE Sack</b>	30 x 130 x 0.05mm
6	<b>Label</b>	40 x 25mm

To view Access' extensive ranges go to: [www.accesscomms.com.au](http://www.accesscomms.com.au)

Sydney (Head Office)  
Brisbane Sales  
Melbourne Office  
Adelaide Office

Unit 1, 29 Prince William Drive, Seven Hills NSW 2147  
28 The Gateway, Broadmeadows VIC 3047  
71 Anzac Highway, Ashford SA 5035

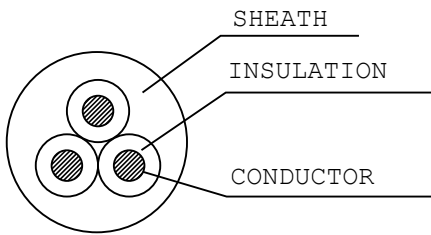
Phone: (02) 9414 8888  
Phone: (07) 3308 5555  
Phone: (03) 9330 8333  
Phone: (08) 8338 5540

sales@accesscomms.com.au  
brisbane@accesscomms.com.au  
melbourne@accesscomms.com.au  
adelaide@accesscomms.com.au

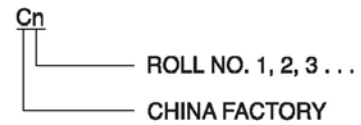
## IEC C13 Power Cord with Right Angle Plug

K3785-055

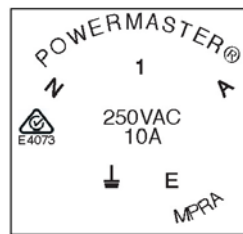
### CORD SECTION



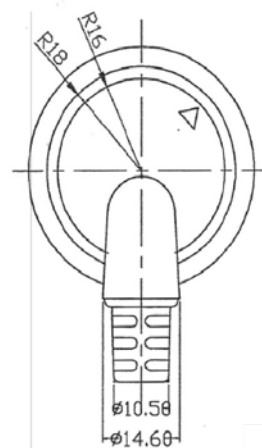
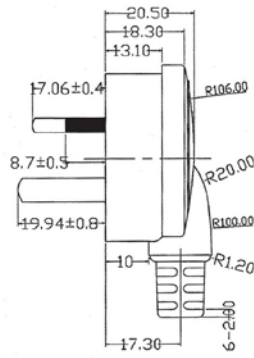
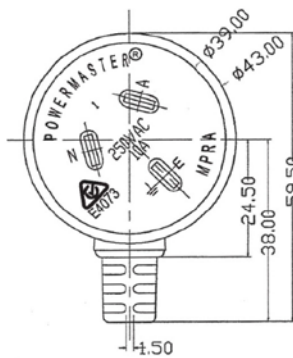
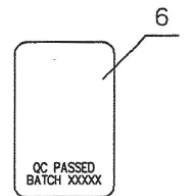
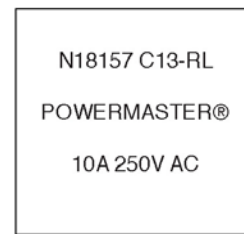
POWERMMASTER® GD-3 3X0.75mm<sup>2</sup> AV-75 V-75 75°C ORDINARY DUTY 250-440V  
NSW18155 AS/NZS3191



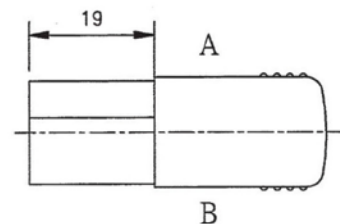
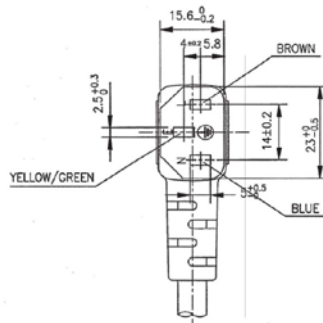
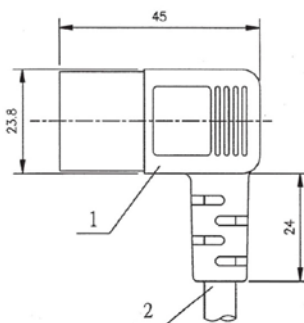
#### PLUG MARK



#### CONNECTOR MARK



TOLERANCE:  
>20:±2.0  
≤20:±1.0  
≤10:±0.5  
≤1.0:±0.3



1. PVC Connector body
2. PVC Flexible cord

To view Access' extensive ranges go to: [www.accesscomms.com.au](http://www.accesscomms.com.au)

Sydney (Head Office)  
Brisbane Sales  
Melbourne Office  
Adelaide Office

Unit 1, 29 Prince William Drive, Seven Hills NSW 2147  
28 The Gateway, Broadmeadows VIC 3047  
71 Anzac Highway, Ashford SA 5035

Phone: (02) 9414 8888  
Phone: (07) 3308 5555  
Phone: (03) 9330 8333  
Phone: (08) 8338 5540

sales@accesscomms.com.au  
brisbane@accesscomms.com.au  
melbourne@accesscomms.com.au  
adelaide@accesscomms.com.au