

## European AC Power Cord IEC-C13 Connector Two pin plug

K3769, K3770

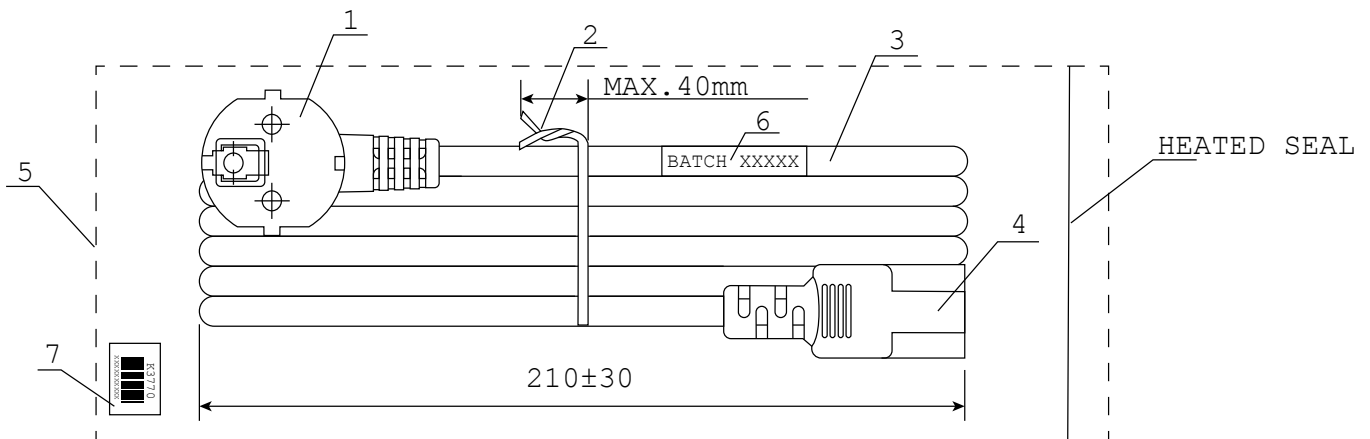
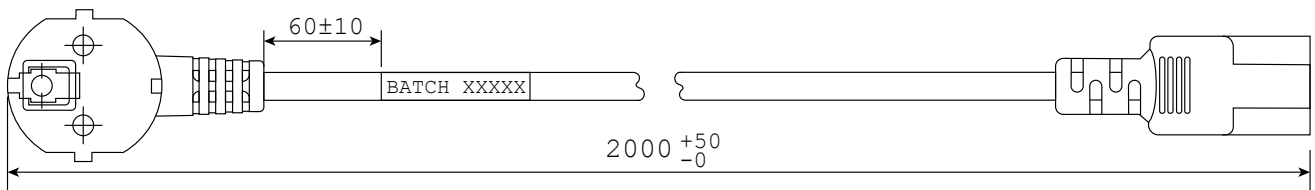


### FEATURES

- 10 Amp AC power cord as used on most European computers and office equipment.
- Fitted with an IEC-C13 connector and a right-angled 230V earthed European Schuko mains plug.

SKU	DESCRIPTION	LENGTH	COLOUR
K3769	IEC-C13 Euro AC Cord	1.5 Metre	Black
K3770	IEC-C13 Euro AC Cord	2.0 Metre	Black

### DESIGN & CONSTRUCTION



To view Access' extensive ranges go to: [www.accesscomms.com.au](http://www.accesscomms.com.au)

Sydney (Head Office)  
Brisbane Sales  
Melbourne Office  
Adelaide Office

Unit 1, 29 Prince William Drive, Seven Hills NSW 2147  
28 The Gateway, Broadmeadows VIC 3047  
71 Anzac Highway, Ashford SA 5035

Phone: (02) 9414 8888  
Phone: (07) 3308 5555  
Phone: (03) 9330 8333  
Phone: (08) 8338 5540

sales@accesscomms.com.au  
brisbane@accesscomms.com.au  
melbourne@accesscomms.com.au  
adelaide@accesscomms.com.au

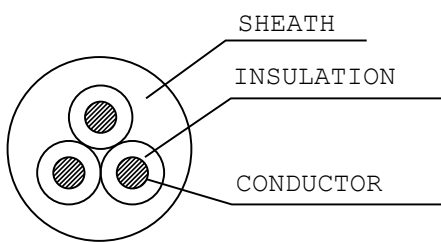
## European AC Power Cord IEC-C13 Connector Two pin plug

K3769, K3770

1	PVC moulded plug	PHP 206 (Black)
2	Elliptical tie (Black)	SVT 18AWGX3C 600C (Black)
3	Vinyl tie (Black)	Tied twice with PVC vinyl tie
		Vinyl tie loose end section must not exceed 40mm
4	PVC moulded connector	PHS 301 (Black)
5	PE sack	300mm x 130mm (0.05mm thick)
6	Label 1	40 x 25mm
7	Label 2	28 x 20mm (supplied by customer)

NOTE: ALL MATERIALS ARE RoHS COMPLIANT

### CORD SECTION



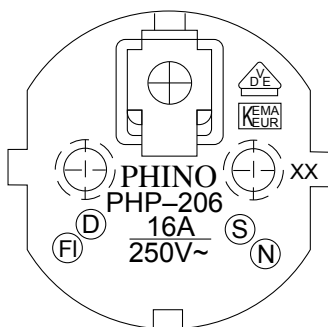
LABEL 1



LABEL 2

PHINO Cabo H05W-F 3G0.75mm<sup>2</sup> <VDE> KEMA-KEUR IEMMEQU +s +s +s  
 (S) (N) (D) (FI) 60227 IEC 53 300/500V CE Cn -LF-  
 ROLL NO.: 1,2,3...  
 CHINA FACTORY

### PLUG MARKING



To view Access' extensive ranges go to: [www.accesscomms.com.au](http://www.accesscomms.com.au)

Sydney (Head Office)  
Brisbane Sales  
Melbourne Office  
Adelaide Office

Unit 1, 29 Prince William Drive, Seven Hills NSW 2147  
28 The Gateway, Broadmeadows VIC 3047  
71 Anzac Highway, Ashford SA 5035

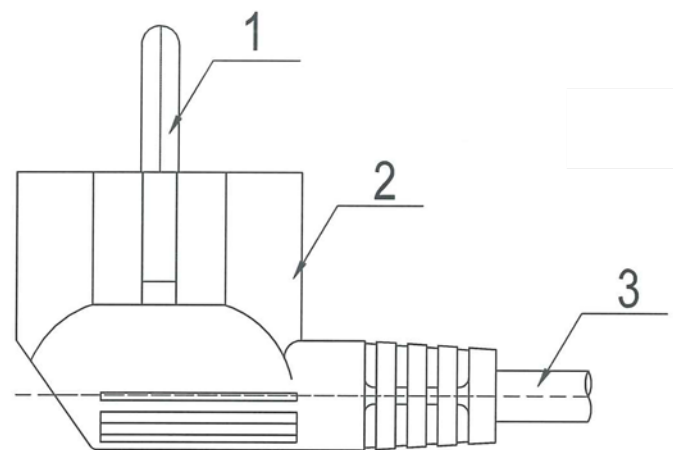
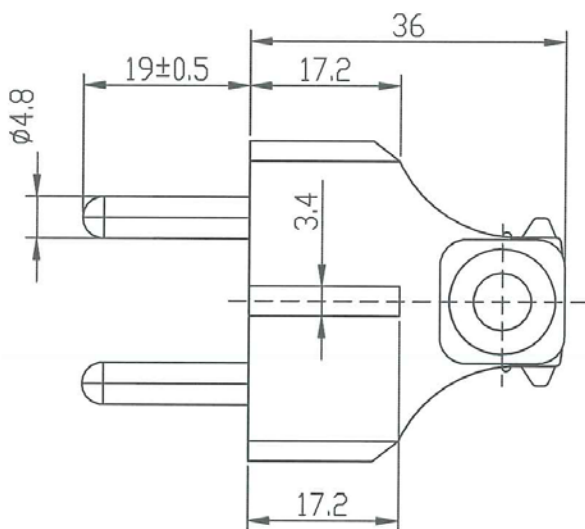
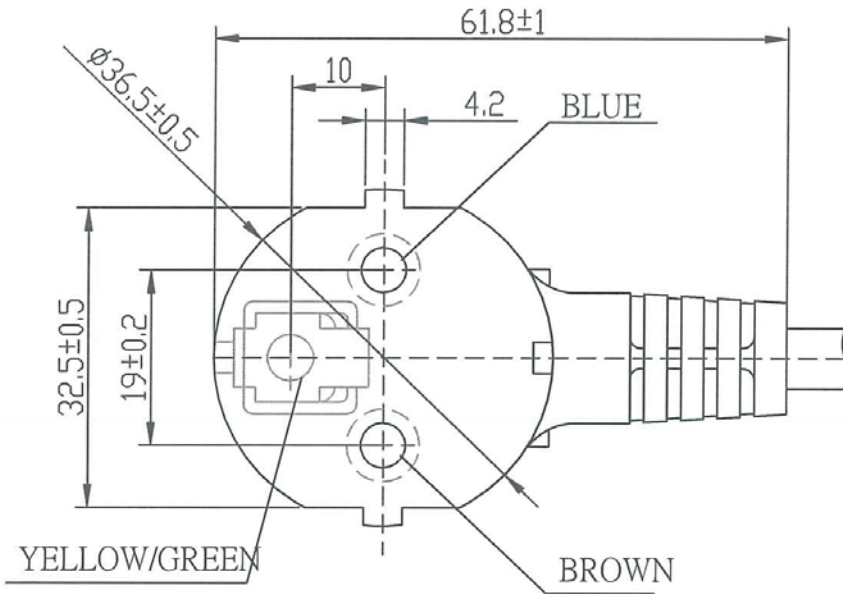
Phone: (02) 9414 8888  
Phone: (07) 3308 5555  
Phone: (03) 9330 8333  
Phone: (08) 8338 5540

sales@accesscomms.com.au  
brisbane@accesscomms.com.au  
melbourne@accesscomms.com.au  
adelaide@accesscomms.com.au

## European AC Power Cord IEC-C13 Connector Two pin plug

K3769, K3770

### EUROPEAN MAINS PLUG



1. PIN (NICKEL PLATED)
2. PVC MOULDED PLUG : PHP - 206
3. FLEXIBLE CORD

To view Access' extensive ranges go to: [www.accesscomms.com.au](http://www.accesscomms.com.au)

Sydney (Head Office)  
Brisbane Sales  
Melbourne Office  
Adelaide Office

Unit 1, 29 Prince William Drive, Seven Hills NSW 2147  
28 The Gateway, Broadmeadows VIC 3047  
71 Anzac Highway, Ashford SA 5035

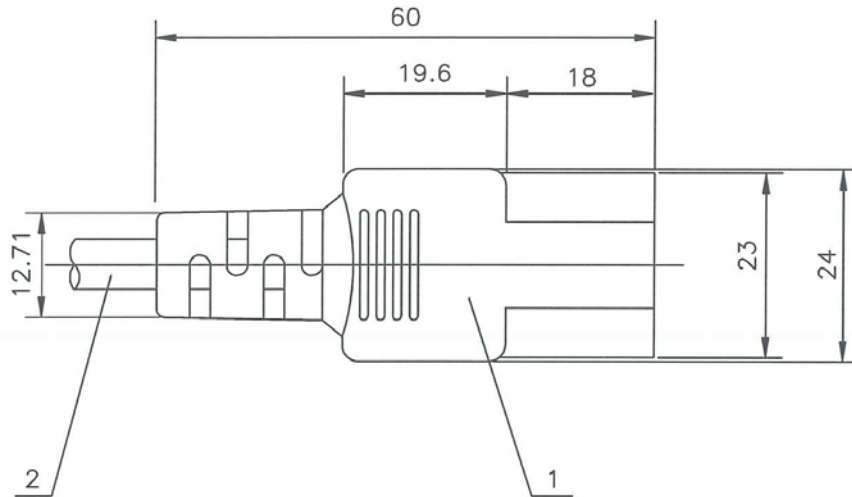
Phone: (02) 9414 8888  
Phone: (07) 3308 5555  
Phone: (03) 9330 8333  
Phone: (08) 8338 5540

[sales@accesscomms.com.au](mailto:sales@accesscomms.com.au)  
[brisbane@accesscomms.com.au](mailto:brisbane@accesscomms.com.au)  
[melbourne@accesscomms.com.au](mailto:melbourne@accesscomms.com.au)  
[adelaide@accesscomms.com.au](mailto:adelaide@accesscomms.com.au)

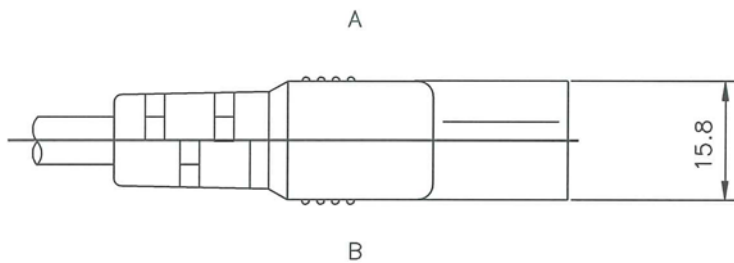
## European AC Power Cord IEC-C13 Connector Two pin plug

K3769, K3770

### IEC-C7 CONNECTOR



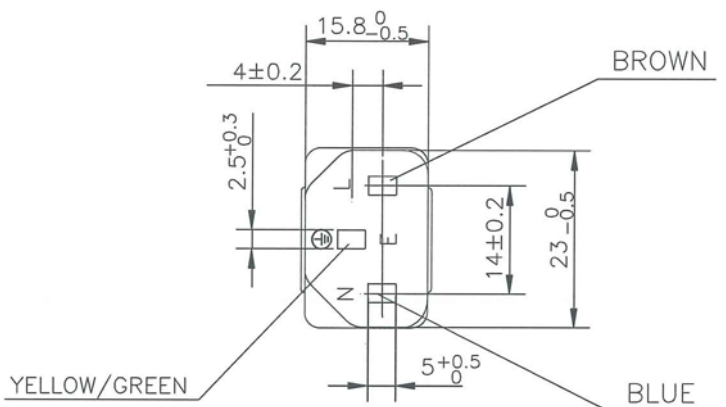
1. PVC CONNECTOR BODY
2. PVC FLEXIBLE CORD



PHS-301



10A 250V~



TOLERANCE:

- > 20 : ± 2.0
- ≤ 20 : ± 1.0
- ≤ 10 : ± 0.5
- ≤ 1.0 : ± 0.3

To view Access' extensive ranges go to: [www.accesscomms.com.au](http://www.accesscomms.com.au)

Sydney (Head Office)  
Brisbane Sales  
Melbourne Office  
Adelaide Office

Unit 1, 29 Prince William Drive, Seven Hills NSW 2147  
28 The Gateway, Broadmeadows VIC 3047  
71 Anzac Highway, Ashford SA 5035

Phone: (02) 9414 8888  
Phone: (07) 3308 5555  
Phone: (03) 9330 8333  
Phone: (08) 8338 5540

sales@accesscomms.com.au  
brisbane@accesscomms.com.au  
melbourne@accesscomms.com.au  
adelaide@accesscomms.com.au