

IEC-C13 USA AC Cord 2M Mains plug

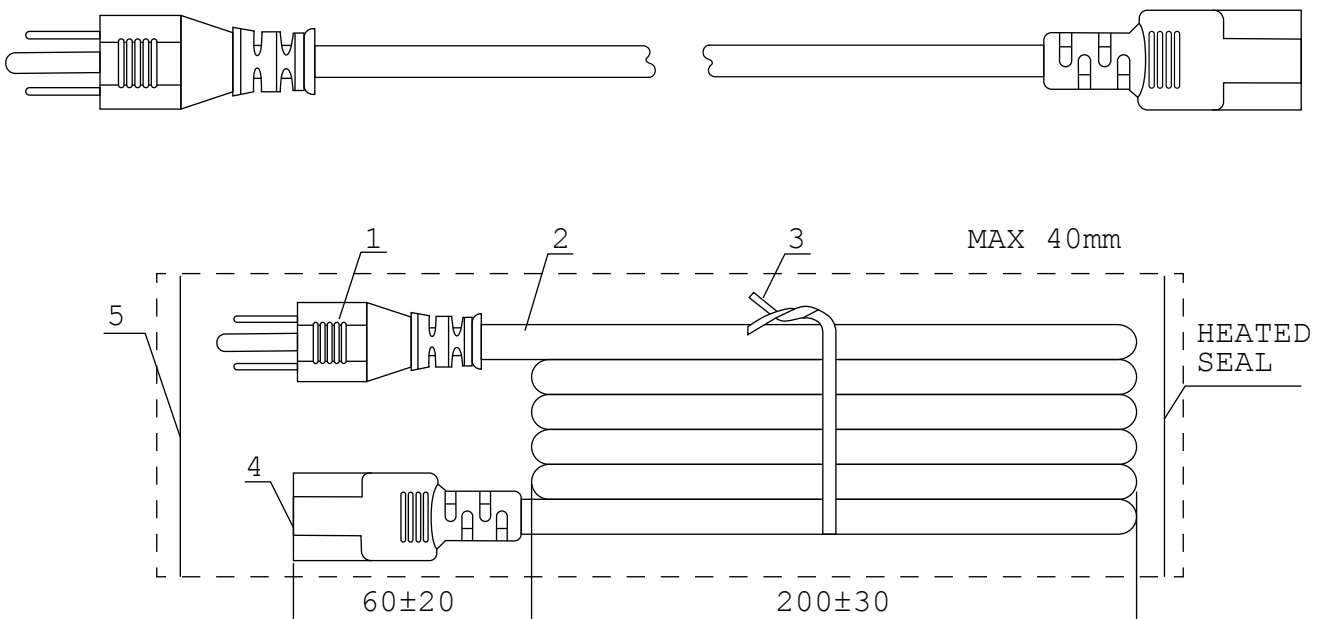
K3764



FEATURES

- For 110V use. AC power cord as used on most USA computers and office equipment.
- Fitted with IEC-C13 connector and 110V U.S.A.
- 3-pin mains plug.

DESIGN & CONSTRUCTION



To view Access' extensive ranges go to: www.accesscomms.com.au

Sydney (Head Office)
Brisbane Sales
Melbourne Office
Adelaide Office

Unit 1, 29 Prince William Drive, Seven Hills NSW 2147
28 The Gateway, Broadmeadows VIC 3047
71 Anzac Highway, Ashford SA 5035

Phone: (02) 9414 8888
Phone: (07) 3308 5555
Phone: (03) 9330 8333
Phone: (08) 8338 5540

sales@accesscomms.com.au
brisbane@accesscomms.com.au
melbourne@accesscomms.com.au
adelaide@accesscomms.com.au

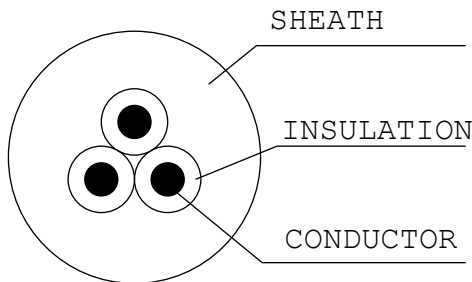
IEC-C13 USA AC Cord 2M Mains plug

K3764

| | | |
|---|------------------------------|---|
| 1 | PVC moulded plug | PHP 301B (Black) SSP-301B |
| 2 | PVC flexible cord | SVT 18AWGX3C 600C (Black) |
| 3 | Vinyl tie (black) | Tied twice with PVC vinyl tie Vinyl tie loose end section must not exceed 40mm |
| 4 | PVC moulded connector | PHS 301 (Black) SSS-301 (C13) |
| 5 | PE sack | 300mm x 130mm (0.05mm thick) |

NOTE: ALL MATERIALS ARE RoHS COMPLIANT

CORD SECTION



CORD MARKING:
(UL) E222786 SVT VW-1 600C
3 x 0.834mm²
(18AWG) 300V ---c (UL) STAR SUCCESS

To view Access' extensive ranges go to: www.accesscomms.com.au

Sydney (Head Office)
Brisbane Sales
Melbourne Office
Adelaide Office

Unit 1, 29 Prince William Drive, Seven Hills NSW 2147
28 The Gateway, Broadmeadows VIC 3047
71 Anzac Highway, Ashford SA 5035

Phone: (02) 9414 8888
Phone: (07) 3308 5555
Phone: (03) 9330 8333
Phone: (08) 8338 5540

sales@accesscomms.com.au
brisbane@accesscomms.com.au
melbourne@accesscomms.com.au
adelaide@accesscomms.com.au